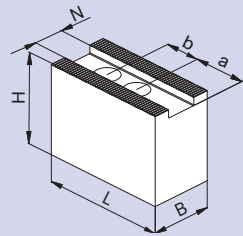


# WBB-D

## Soft top jaws for Berg power chucks



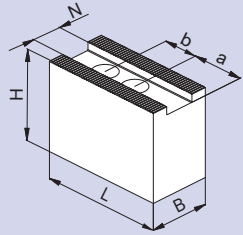
- Inch serration 1/16" x 90°
- Material: 16MnCr5, Serration ground

Type	Id. No.	B	H	L	N	Serration	a + b für ISO 4762	kg/ Set	Berg
WBB-D 211	034241	20	40	55	8	1/16" x 90°	30 + 14 M8	0.77	KH 110-30
WBB-D 232*	081621	30	45	70	10	1/16" x 90°	38 + 19 M10	1.63	KH 140-36 KH 160-45
WBB-D 235	081622	30	55	84	12	1/16" x 90°	45 + 21 M12	2.50	KH 175-56 KH 200-68
WBB-D 237	081623	35	60	90	12	1/16" x 90°	55 + 21 M12	3.60	KH 175-56 KH 200-68
WBB-D 240	081624	40	60	110	16	1/16" x 90°	63 + 29 M16	4.79	KH 250-91 KH 315-117

\* Jaws pointed

# WBR-D

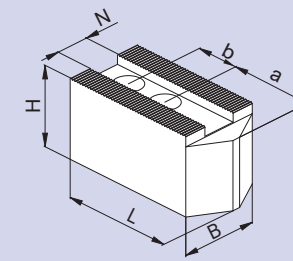
## Soft top jaws



- Inch serration 1/16" x 90°
- Material: 16MnCr5, Serration ground

Type	Id. No.	B	H	L	N	Serration	a + b for ISO 4762	kg/ Set	Röhm	Schunk
WBR-D 012	081630	30	55	55	12	1/16" x 90°	31 + 15 M8	1.72	KFD-HS 160/175 KFD 130 KFD-HE 170 KFH 140	HSG 160 ROTA NCD 165
WBR-D 017	081631	40	60	70	17	1/16" x 90°	39 + 19 M12	3.04	KFD-HS 200 KFD 200 KFD-HE 210	HSG 200
WBR-D 117	081632	40	60	90	17	1/16" x 90°	59 + 19 M12	4.12	KFD-HS 250 KFD 200 KFD-HE 210	HSG 250
WBR-D 021	081633	50	60	105	21	1/16" x 90°	65 + 25 M16	5.86	KFD-HS 315 KFD 250 KFD-HE 254/315	HSG 315 ROTA NCD 250/315

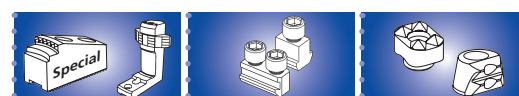
## Soft top jaws for front end power chucks



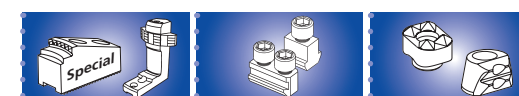
- Inch serration 1/16" x 90° or 3/32" x 90°
- Material: 16MnCr5, C45<sup>1</sup>

Type	Id. No.	B	H	L	N	Serration	a + b for ISO 4762	kg	SMW-AUTOBLOK	Röhm	Schunk
WBC-D 125*	013795**	30	40	74	11	1/16" x 90°	35 + 18 M8	1.62**		LVE 125	TP 125-26 ROTA TP 125
MWB-D 130	013488**	30	40	55	12	1/16" x 90°	29 + 16 M8	1.2**	SP 125 ab Bj. 98 STP 125		
WBSA-D 125 <sup>1</sup> *	12071300***	30	30	60	12	1/16" x 90°	29 + 16 M8	0.96***	SP 125 ab Bj. 98 STP 125		
AWB-D 165*	035954**	40	40	80	14	1/16" x 90°	43 + 22 M10	2.32**	SP 160 ab Bj. 98 STP 160	LVE 160	TP 160-38 ROTA TP 160
AWB-D 200*	081616**	40	40	90	17	1/16" x 90°	53 + 22 M12	2.61**	SP 200/240 STP 200/240 CC 240 Z	LVE 200	TP 200-52 ROTA TP 200
AWB-D 250*	081618**	50	50	120	21	1/16" x 90°	70 + 28 M16	5.37**	SP 250/280/350 SP 280 STP 280	LVE 250 LVE 315	TP 250/315 ROTA TP 250 ROTA TP 315/350 TP 315 ROTA TP 315/350
AWB-D 315*	081619**	50	50	140	21	1/16" x 90°	90 + 28 M16	6.48**	SP 350 SP-L 350 CC 350 Z		
WBSA-D 500 <sup>1</sup>	12075050***	59.5	60	170	25.5	3/32" x 90°	69 + 38 + 38 M20	3.62***	BB-N 400/470 BB-N 500/600 BB-N ES 400/470 BB-N ES 500/600 BB-EXL(SC)2G 510 BB-EXL(SC)2G 660	LVE 400/500 LVE 630/800 LVE 1000	TB 400 ROTA EP 380 ROTA TB 400 TB 500 ROTA EP 460 ROTA TB 500/610 ROTA TB 630-265LH
WBC-D 502 <sup>1</sup>	12075140***	60	60	205	25.5	3/32" x 90°	104 + 38 + 38 M20	4.50***	BB-N 400/470 BB-N 500 BB-N ES 400/470 BB-N ES 500/600 BB-EXL(SC)2G 510 BB-EXL(SC)2G 660	LVE 400/500 LVE 630/800 LVE 1000	TB 400 ROTA EP 380 ROTA TB 400 TB 500 ROTA EP 460 ROTA TB 500/610 ROTA TB 630-265LH
WBC-D 630 <sup>1</sup>	12076440***	80	80	240	30	3/32" x 90°	110 + 50 + 50 M24	9.65***	BB-N 630 BB-N ES 630 BB-AZ2G 685 BB-AZ2G 740 BB-AZ2G 1000 BB-EXL(SC)2G 900		ROTA TB 630 TB 800/1000/1200 ROTA TB 800/850 ROTA TB 100/1200
WBC-D 800 <sup>1</sup>	12078040***	80	80	320	30	3/32" x 90°	165 + 60 + 60 M24	13.29***	BB-N 800/ 1000 BB-N ES 850 BB-N ES 1000 BB-AZ2G 685 BB-AZ2G 740 BB-AZ2G 1000 BB-EXL(SC)2G 900		TB 800/1000/1200 ROTA TB 800/850 ROTA TB 100/1200
WBCL-D 800 <sup>1</sup>	12079040***	80	80	390	30	3/32" x 90°	230 + 60 + 60 M24	16.55***	BB-N 800/ 1000 BB-N ES 850 BB-N ES 1000 BB-AZ2G 685 BB-AZ2G 740 BB-AZ2G 1000 BB-EXL(SC)2G 900		TB 800/1000/1200 ROTA TB 800/850 ROTA TB 100/1200

- \* Jaws pointed
- \*\* Jaws / Set
- \*\*\* Jaw / Piece
- <sup>1</sup> Material C45



SMW-AUTOBLOK 26, 35, 184, 186  
SMW-AUTOBLOK 63  
SMW-AUTOBLOK 74

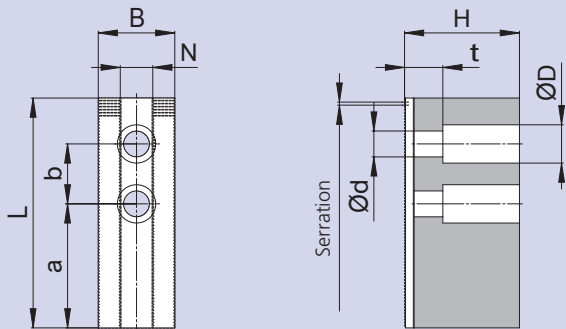


SMW-AUTOBLOK 26, 35, 184, 186  
SMW-AUTOBLOK 63  
SMW-AUTOBLOK 74

# Soft special jaws to customer request

- Simply copy and fax to: +49 (0) 7542 3886
- Download from [www.smw-autoblok.de](http://www.smw-autoblok.de)

## Soft top jaw-blanks

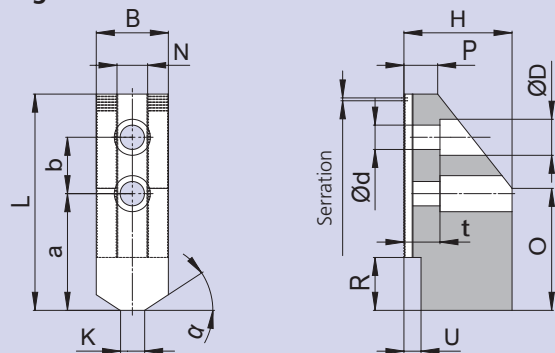


Dimensions					
a		mm	H		mm
b		mm	L		mm
B		mm	N		mm
d		mm	t		mm
D		mm			

Jaw serration (please mark)			
	1/16" x 90°		1.5 x 60°
	3/32" x 90°		3 x 60°

Material					
Quantity in pieces					
Chuck manufacturer					
Chuck type + size					

## Soft top jaw-blanks weight reduced

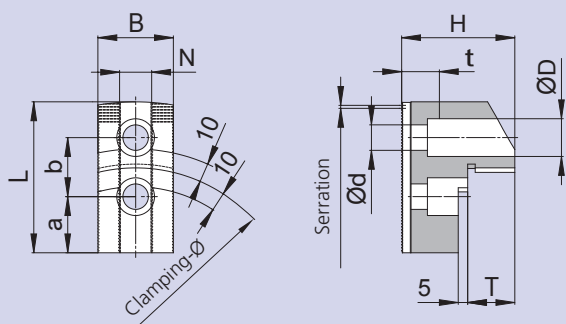


Dimensions					
a		mm	K		mm
b		mm	O		mm
B		mm	P		mm
d		mm	R		mm
D		mm	t		mm
H		mm	U		mm
L		mm	α		Grad
N		mm			

Jaw serration (please mark)			
	1/16" x 90°		1.5 x 60°
	3/32" x 90°		3 x 60°

Material					
Quantity in pieces					
Chuck manufacturer					
Chuck type + size					

## Soft top jaws for OD clamping

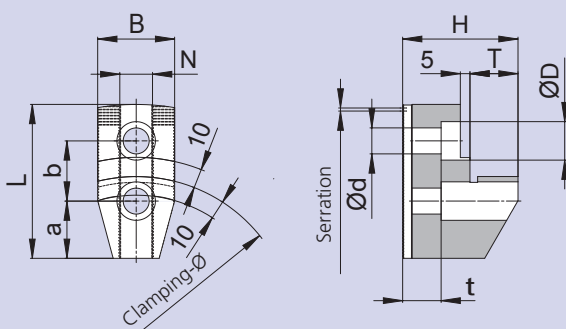


Dimensions					
a		mm	L		mm
b		mm	N		mm
B		mm	t		mm
d		mm	T		mm
D		mm	Clamping-Ø		mm
H		mm	Workpiece-Ø		mm

Jaw serration (please mark)			
	1/16" x 90°		1.5 x 60°
	3/32" x 90°		3 x 60°

Material					
Quantity in pieces					
Chuck manufacturer					
Chuck type + size					

## Soft top jaws for ID clamping



Dimensions					
a		mm	L		mm
b		mm	N		mm
B		mm	t		mm
d		mm	T		mm
D		mm	Clamping-Ø		mm
H		mm	Workpiece-Ø		mm

Jaw serration (please mark)			
	1/16" x 90°		1.5 x 60°
	3/32" x 90°		3 x 60°

Material					
Quantity in pieces					
Chuck manufacturer					
Chuck type + size					