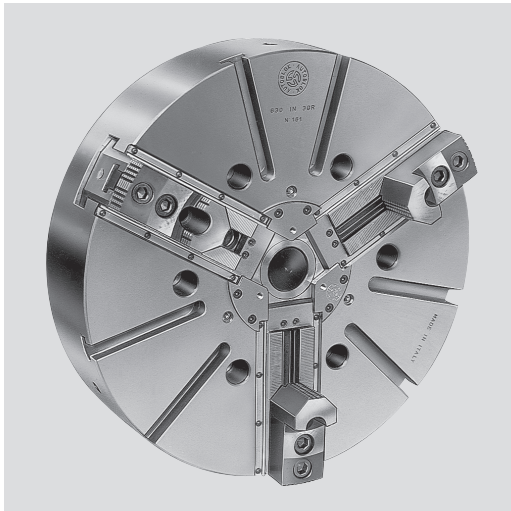


IN-D**IN-C****High precision power chuck Ø 500 - 800 mm****INCH
SERRATION****TONGUE & GROOVE**

- Closed center
- 3 and 4 jaws

**Application/customer benefits**

- For large parts
- Suitable for vertical machines

IN-D: Master jaws with INCH SERRATION (3/32" x 90°)**IN-C:** Master jaws with TONGUE & GROOVE**Technical features**

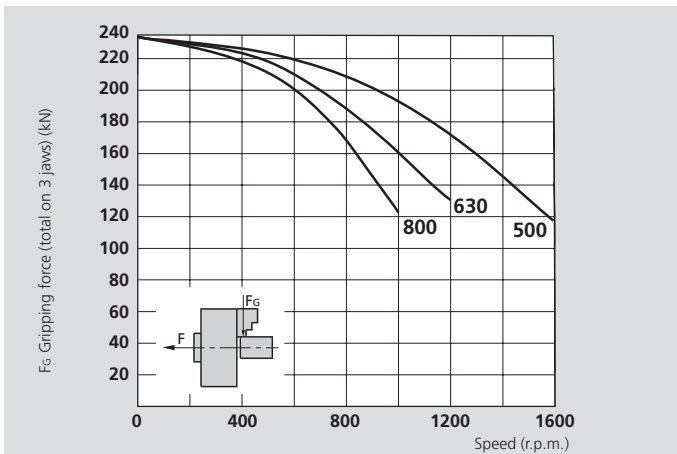
- Gripping force transmission via wedge hook
- Sealed against swarf and chips

Standard equipment

3- or 4-jaw chuck
 1 set T-nuts with bolts
 1 set soft top jaws (not IN-C)
 Mounting bolts

Ordering example

3-jaw chuck IN-D 500 / A15
 or
 4-jaw chuck IN-C 630 / Z380

Actual gripping force diagram

The data in the diagram refer to 3-jaw chucks, newly maintained according to their service manuals using SMW-AUTOBLOK K67 grease. The static and dynamic gripping forces have been measured using standard soft top jaws, placed in a position not exceeding the outer diameter of the chuck.

⚠ Safety advice / danger of damage:

When using taller / heavier jaws and / or clamping on a bigger diameter reduce draw pull / rotating speed accordingly.

Technical data

SMW-AUTOBLOK Type		IN-D 500 IN-C 500		IN-D 630 IN-C 630		IN-D 800 IN-C 800	
Number of jaws		3	4	3	4	3	4
Radial jaw stroke	mm	8.5	8.5	10	10	10	10
Axial piston stroke	mm	32	32	38	38	38	38
Max. draw pull*	kN	100	100	100	100	100	100
Max. gripping force*	kN	240	240	240	240	240	240
Max. speed	r.p.m.	1500	1200	1100	850	900	750
Weight (without top jaws)	kg	130	180	220	325	320	550
Moment of inertia	kg·m ²	4.2	5.9	10.8	16	23.8	44
Recommended actuating cylinders	Type	SIN-S 150 / 175 / 200		SIN-S 150 / 175 / 200		SIN-S 150 / 175 / 200	
Id. No. IN-D (Center mounting)		77122150	77122550	77122163	77122563	77122180	77122580
Id. No. IN-C (Center mounting)		77128250	77128650	77128263	77128663	77128280	77128680

* For internal clamping reduce the draw pull by 30%.



SMW-AUTOBLOK
466



SMW-AUTOBLOK
468



SMW-AUTOBLOK
327

High precision power chuck Ø 500 - 800 mm

IN-D

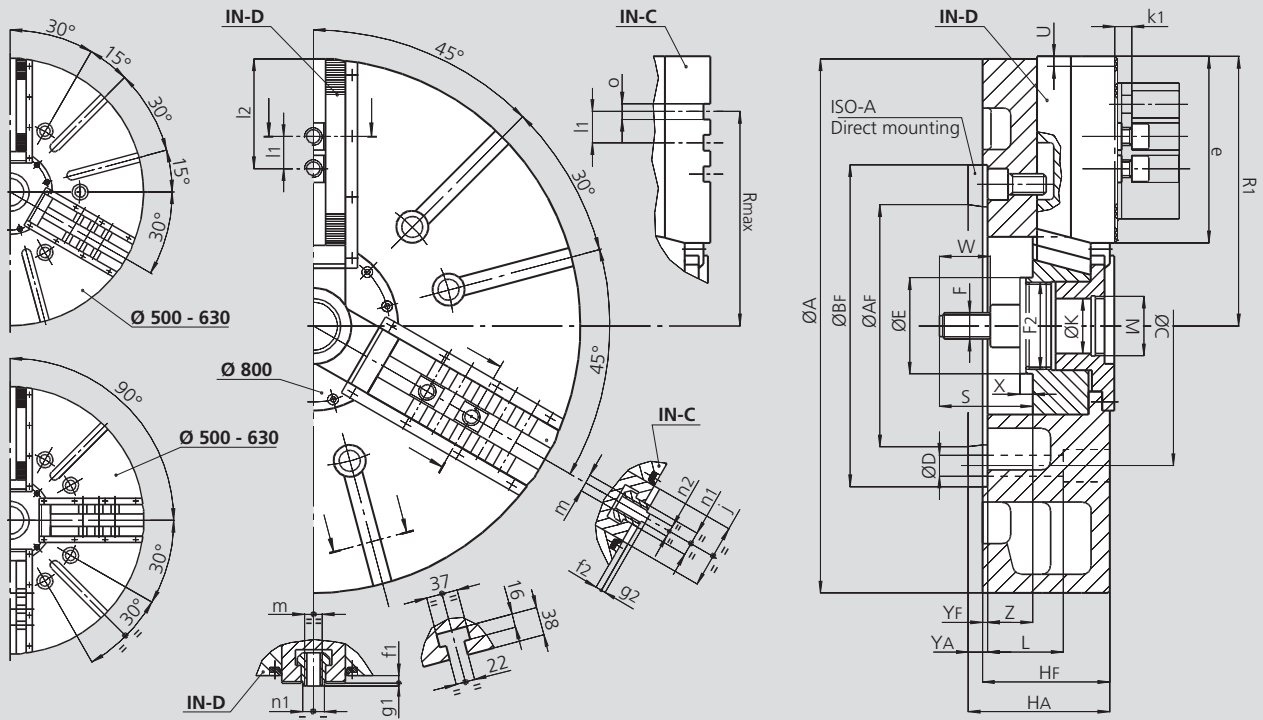
IN-C

- Closed center
- 3 and 4 jaws

INCH
SERRATION

TONGUE & GROOVE

1



Subject to technical changes.
For more detailed information please ask our customer service.

SMW-AUTOBLOK Type			IN-D 500 IN-C 500		IN-D 630 IN-C 630		IN-D 800 IN-C 800	
Mounting			Z380	A15	Z380	A15	Z380	A15
	A	mm	510		630		800	
	Bf/BAH6	mm	380	285.775	380	285.775	380	285.775
	C	mm	330.2		330.2		330.2	
	D	mm	25		25		25	
	E	mm	114		114		114	
	F	mm	M30		M30		M30	
	F2	mm	M102 x 2		M102 x 2		M102 x 2	
	Hf/HA	mm	130	147	150	167	150	167
	K	mm	65		65		65	
	L	mm	89		89		89	
	M	mm	M68 x 2		M68 x 2		M68 x 2	
Chuck open	R1	mm	263		318		405	
	Rmax	mm	209.5		247.5		349	
Jaw stroke	S	mm	110		110		110	
	U	mm	8.5		10		10	
	W	mm	60		60		60	
	X	mm	15		15		15	
	Yf/YA	mm	6	23	6	23	6	23
Max. / min.	Z	mm	33 / 1		53 / 15		53 / 15	
	e	mm	165		220		307	
	f1	mm	9		9		9	
	f2	mm	8		8		8	
	g1	mm	4		4		4	
	g2	mm	3		3		3	
	j	mm	75		75		75	
	k1	mm	16		16		16	
	l1	mm	38.1		38.1		38.1	
Max. / min.	l2	mm	135 / 48		190 / 48		277 / 48	
	m	mm	M20		M20		M20	
	n1 h8	mm	25.5		25.5		25.5	
	n2 h8	mm	12.7		12.7		12.7	
	o H7	mm	19.03		19.03		19.03	