

# PB-D

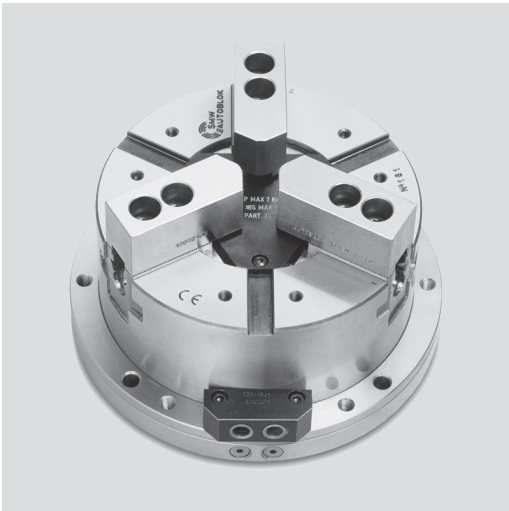
INCH SERRATION  
2 or 3 jaws

# PB-C

TONGUE & GROOVE  
3 jaws

## Stationary chuck, pneumatic Ø 130 - 315 mm

- Built-in cylinder
- 2 and 3 jaws



### Application/customer benefits

- Self centering chuck used on milling machines, machining centers and special machines

**PB-D:** INCH SERRATED master jaws (1/16" x 90°)

**PB-C:** TONGUE & GROOVE master jaws (American standard)

**PB-M:** METRIC SERRATED master jaws (1.5 mm x 60°) **on request**

### Technical features

- Stationary chuck consisting of a 2- or 3-jaw chuck with a built-in pneumatic cylinder
  - Compact design
  - Case hardened body to assure consistent high precision and long chuck life
- Caution!** A service unit consisting of a filter, dryer and oiler must be installed in the supply line.

### Standard equipment

Clamping unit  
1 set of soft blank top jaws  
(PB-C excluded)

### Ordering example

Stationary chuck PB-C 250 (3 jaws)

or

Stationary chuck PBL-D2 165 (2 jaws)

## Technical data

SMW-AUTOBLOK Type		PB-D 130	PB-D 165 PB-C 165	PB-D 210 PB-C 210	PB-D 250 PB-C 250	PB-D 315 PB-C 315
Radial jaw stroke	mm	3.2	3.6	4.4	5	6.3
Radial jaw stroke PBL-D2 (2 jaws)*	mm	6	6.8	8.4	9.7	12
Piston area	cm <sup>2</sup>	82	143	236	358	548
Max. operating pressure	bar	7	7	7	7	7
Gripping force at 6 bar	kN	14	24	42	64	98
Gripping force at 6 bar PBL-D2 (2 jaws)*	kN	9	16	26	39	60
Weight (without top jaws)	kg	9	17	28	42	63
Id. No. PB-D 3 jaws		77270713	77270716	77270721	77270725	77270731
Id. No. PB-C 3 jaws		-	77276816	77276821	77276825	77276831
Id. No. PBL-D 2 jaws		77271313	77271316	77271321	77271325	77271331

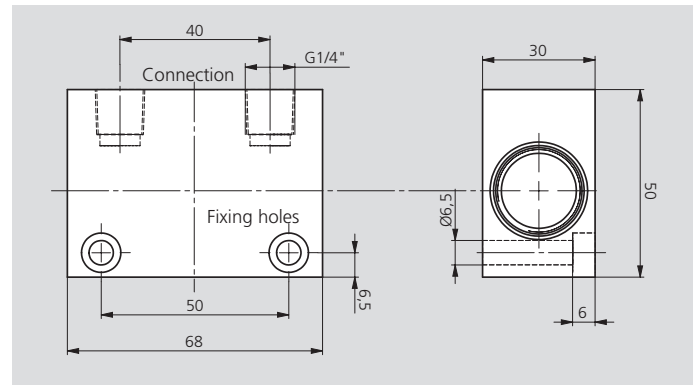
\* The PBL-D 2 jaw fixture is available with serrated master jaws (inch or metric) and long stroke only.

## Option for the PB-D and PB-C chuck

Safety unit that maintains a constant pressure inside the cylinder which maintains a steady clamping force even in case of a drop or lack of line pressure

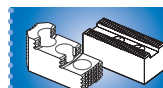
### SAB

Safety unit with double non-return valve,  
Id. No. 27581620

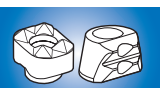


JAWS-CATALOG

Request or  
download:  
[www.smw-autoblok.de](http://www.smw-autoblok.de)



SMW-AUTOBLOK  
468



SMW-AUTOBLOK  
472

# Stationary chuck, pneumatic Ø 130 - 315 mm

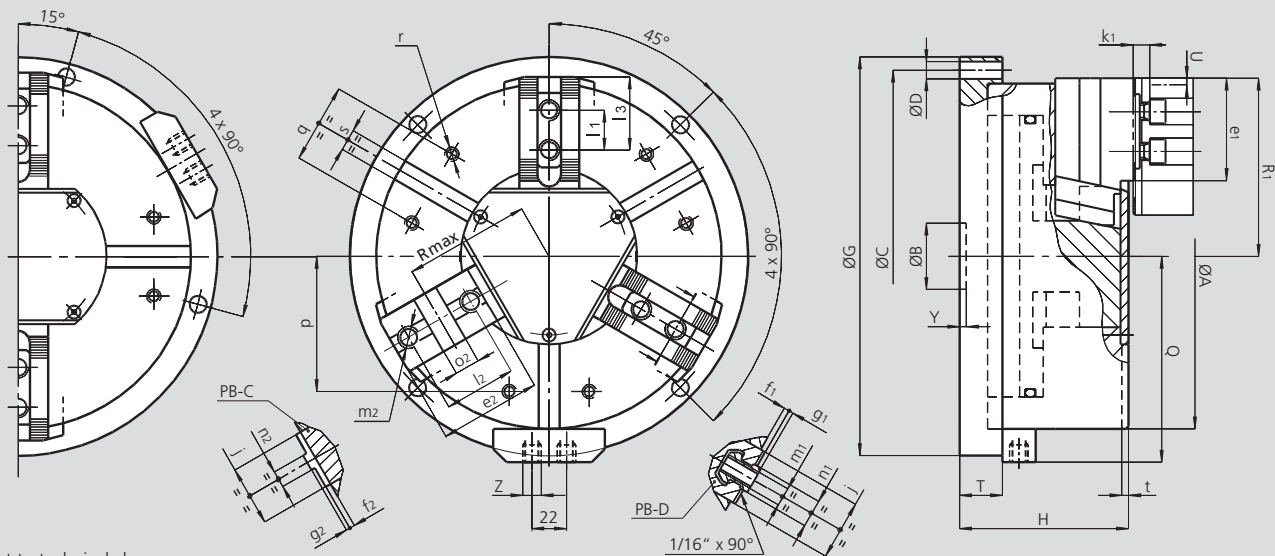
- Built-in cylinder
- 2 and 3 jaws

## PB-D

INCH SERRATION  
2 or 3 jaws

## PB-C

TONGUE & GROOVE  
3 jaws



Subject to technical changes.  
For more detailed information please ask our customer service.

### Common dimensions

SMW-AUTOBLOK Type			PB-D 130	PB-D 165 PB-C 165	PB-D 210 PB-C 210	PB-D 250 PB-C 250	PB-D 315 PB-C 315
	<b>A</b>	mm	135	170	215	260	315
	<b>B</b>	mm	30	30	35	50	50
Fixing holes circle	<b>C</b>	mm	155	190	235	280	340
Fixing holes diameter	<b>D</b>	mm	9	11	11	13	13
	<b>G</b>	mm	175	210	255	300	360
	<b>H</b>	mm	89	100	117	127	141
	<b>Q</b>	mm	93	110	133	155	183
Radial jaw stroke (3 jaws)	<b>T</b>	mm	25	27	30	32	32
Radial jaw stroke PBL-D2 (2 jaws)	<b>U</b>	mm	3.2	3.6	4.4	5	6.3
	<b>U</b>	mm	6	6.8	8.4	9.7	12
	<b>Y</b>	mm	5	5	5	5	5
Pneumatic connections	<b>Z</b>	inch	R1/4"	R1/4"	R1/4"	R1/4"	R1/4"
	<b>j</b>	mm	26	30	36	45	45
	<b>k1</b>	mm	10	10	11	12	12
	<b>p</b>	mm	52	65	80	102	120
	<b>q</b>	mm	30	36	45	60	60
	<b>r</b>	mm	M6	M8	M8	M10	M10
	<b>s H12</b>	mm	12	16	16	16	16
	<b>t</b>	mm	5	5	5	5	5

### PB-D and PBL-D2 fixtures specific dimensions

SMW-AUTOBLOK Type			PB-D 130	PB-D 165	PB-D 210	PB-D 250	PB-D 315
	<b>e1</b>	mm	37	48	60	77	99
	<b>f1</b>	mm	3	4	3	4	4
	<b>g1</b>	mm	2.5	2.5	2.5	3.5	3.5
	<b>l1</b>	mm	16	16.5	23	30	30
T-nut position min. / max.	<b>l3</b>	mm	23 / 30	24 / 40	33 / 50	43 / 62	43 / 84
	<b>m1</b>	mm	M8	M10	M12	M16	M16
	<b>n1 h8</b>	mm	12	14	17	21	21
Chuck open PB-D (3 jaws)	<b>R1</b>	mm	71	89	110	134	162
Chuck open PBL-D2 (2 jaws)	<b>R1</b>	mm	74	92	114	138.5	168

### PB-C fixtures specific dimensions (available in 3-jaw chuck version only)

SMW-AUTOBLOK Type			PB-C 130	PB-C 165	PB-C 210	PB-C 250	PB-C 315
	<b>e2</b>	mm	-	54	71	77	99
	<b>f2</b>	mm	-	4	4	4	4
	<b>g2</b>	mm	-	3	3	3	3
	<b>l2</b>	mm	-	38	44.4	54	63.5
	<b>m2</b>	mm	-	M10	M12	M16	M16
	<b>n2 h8</b>	mm	-	7.94	7.94	12.70	12.70
	<b>o2 H7</b>	mm	-	12.68	12.68	19.03	19.03
Chuck open	<b>R1</b>	mm	-	89	110	134	162
Chuck open	<b>Rmax</b>	mm	-	62	77	94	109