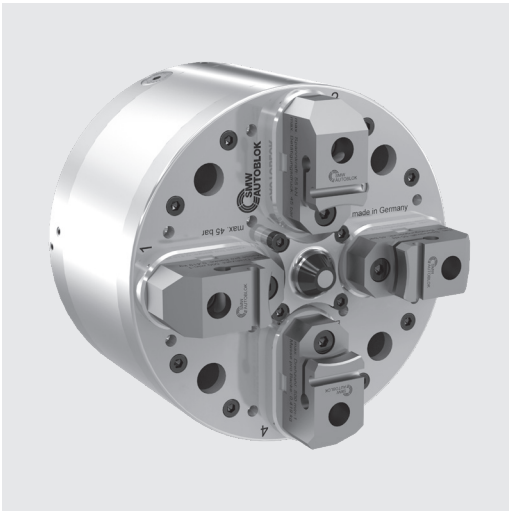


## 2+2 jaw compensating chuck

- 2+2 jaw hydraulic actuation
- Quick change center or adjustable
- For grinding
- Sealed and low maintenance



### Application/customer benefits

- For grinding of shafts

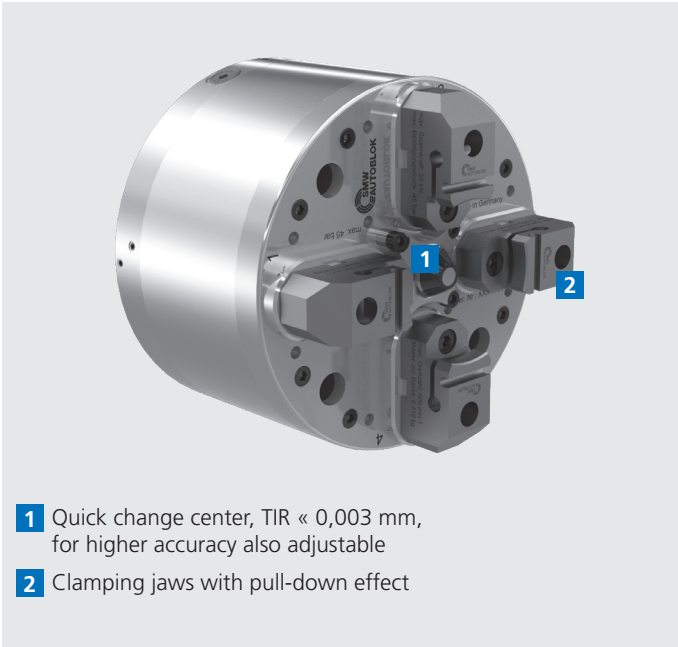
### Technical features

- 2+2 jaw hydraulic actuation
- Oil distribution via hydraulic manifold
- Quick change center or adjustable
- Sealed, oil bath lubricated and low maintenance

### Standard equipment

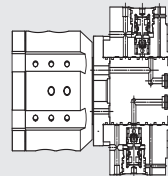
2+2 jaw compensating chuck  
without center  
without top jaws

### Product features SCG



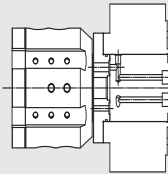
- 1** Quick change center, TIR  $\ll$  0,003 mm, for higher accuracy also adjustable
- 2** Clamping jaws with pull-down effect

### Rotary distributor adaption versions



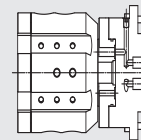
Version 1:  
Rotary distributor with flange  
with safety valves

Id. No. 046881



Version 2:  
Rotary distributor with flange  
two-pieced

Id. No. 046880

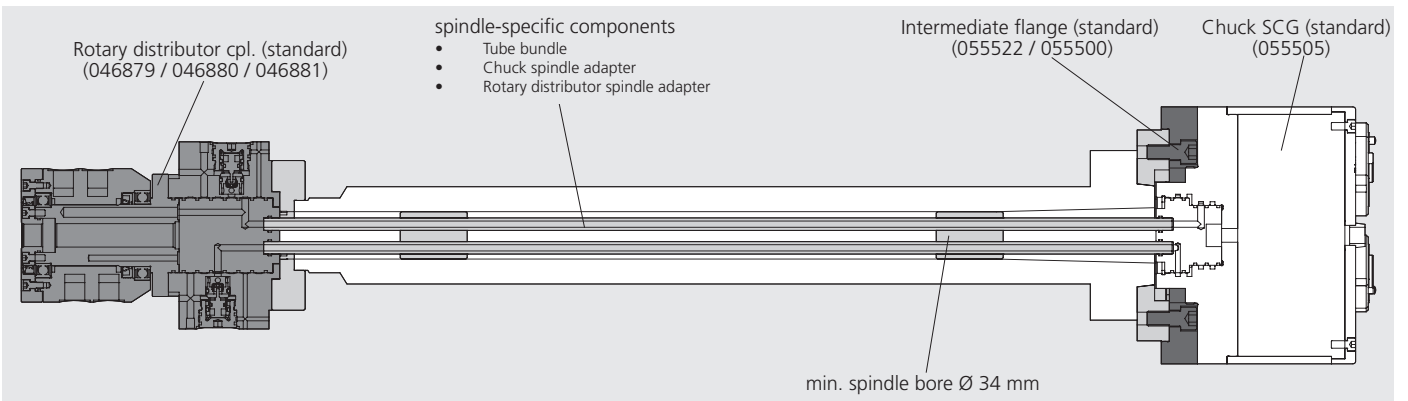


Version 3:  
Rotary distributor with flange  
compact

Id. No. 046879

### Ordering review

Item	Order number
Chuck	055505
Intermediate flange / intermediate flange adjustable	055522 / 055500
Rotary distributor cpl.	046879 / 046880 / 046881
spindle-specific components	tbd.

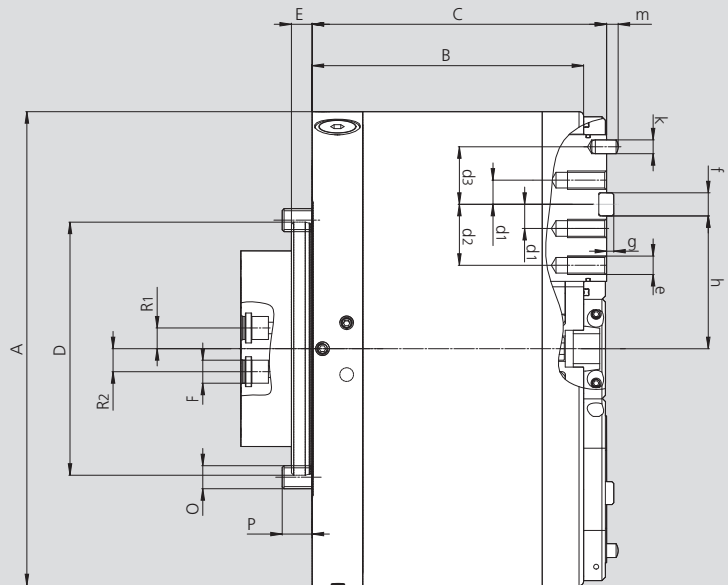
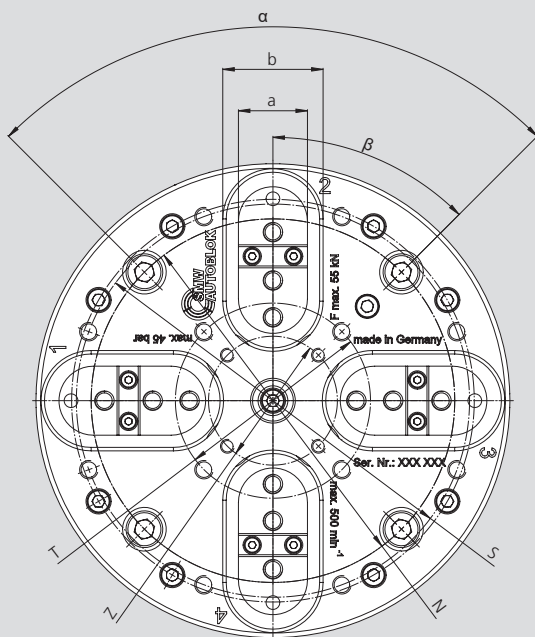


## 2+2 jaw compensating chuck

- 2+2 jaw hydraulic actuation
- Quick change center
- For grinding
- Sealed and low maintenance

# SCG

2+2 jaw hydraulic actuation



Subject to technical changes.  
For more detailed information please ask our customer service.

4

SMW-AUTOBLOK Type		SCG 206	
Mounting	Size	Z110	
	<b>A</b>	mm	206
	<b>B</b>	mm	118
	<b>C</b>	mm	128
Centering	<b>D</b>	mm	110
	<b>E</b>	mm	9
Connection bore for tube bundle (dia. - depth - No.)	<b>F</b>	mm	Ø10 x 12mm - 4 x 90°
Fixing bolt circle	<b>N</b>	mm	158
Fixing bolt	<b>O</b>	mm	M10 (4x)
Min. thread engagement of the fixing bolt	<b>P</b>	mm	13
Bolt-circle for centerpoint (dia. - size - depth - No.)	<b>Z</b>	mm	Ø56 - M6 x 8 - 4 x 90°
Bolt-circle for tube bundle (3x) Radius	<b>R1</b>	mm	18
Bolt-circle for tube bundle (1x / clamping jaws 1+3) Radius	<b>R2</b>	mm	20
Bolt-circle (dia. - size - depth)	<b>S</b>	mm	Ø170.9 - M8 x 8
Bolt-circle (dia. - size - depth)	<b>T</b>	mm	Ø84.8 - M8 x 8
	<b>a</b>	mm	30
	<b>b</b>	mm	43.6
	<b>d1</b>	mm	10.5
	<b>d2</b>	mm	26.5
	<b>d3</b>	mm	25
Thread jaws (3x)	<b>e</b>	mm	M8 x 17
Notch	<b>f</b> h6	mm	10
	<b>g</b>	mm	3.1
Distance between notch and center of chuck (chuck opened)	<b>h</b>	mm	57.75
Pin	<b>k</b> h6	mm	6
	<b>m</b>	mm	5
	<b>alpha</b>	deg.	90
	<b>beta</b>	deg.	45
<b>Radial jaw stroke</b>		mm	2
<b>Pressure max.</b>		bar	45
<b>Gripping force max.</b>		kN	55
<b>Speed max.</b>		r.p.m.	500
<b>Weight (without top jaws)</b>		kg	31
<b>Moment of inertia</b>		kg·m <sup>2</sup>	0.22