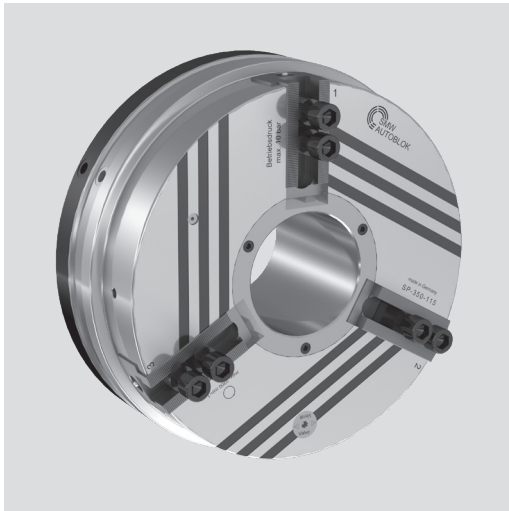


SP® + SP-ES + SP-L

INCH
SERRATION

Front-end pneumatic power chuck Ø 26 - 115 mm

- EXTRA large through-hole
- 3 jaws, chuck size 125 - 350
- SP-ES: Chuck with rapid and clamping stroke
- SP-L: Chuck with long jaw stroke



Application/customer benefits

- Universally used in turning machines, rotary tables, handling equipment, welding etc.
- For machines without hydraulic cylinder
- Easy exchange for manual chucks

Technical features

- Power chuck with built-in pneumatic cylinder. Force transmission via wedge hook
- Mounting of the distributor ring on the headstock or with the centering ring on the chuck with anti-rotation bracket
- Open and close only at stopped spindle. Air transmission via distributor ring and SMW-profile seals (monitoring by SMW control cabinet)
- Easy installation with no additional adapters required

Standard equipment

- 3-jaw chuck
- 1 set T-nuts with bolts
- 1 set soft top jaws
- 2 elbow unions G1/4" (G1/8" on SP 125)
- Spacer ring and centering ring, without distributor ring bracket / anti-rotation bracket

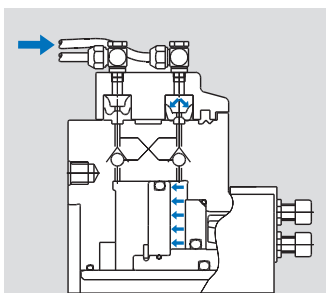
Ordering example

3-jaw chuck SP 160 / Z155

Accessories

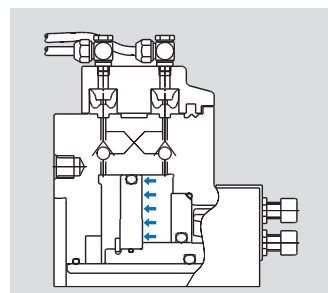
Control units
(see general catalog pages 378-381)

The principle invented by SMW: Air supply via distributor ring and SMW-profile seal rings



Picture 1

Open / close movement (only possible at stopped spindle). The profile seals deform radially under the pneumatic pressure, sealing on the chuck body and filling the cylinder chamber. When the clamping pressure is reached, the air feed is stopped, closing the twin non-return valve.

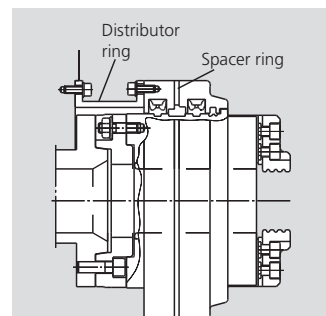


Picture 2

The SMW-profile seals lift to the expanded position, not touching the chuck body anymore. The clamping pressure is maintained by the twin non-return valve. The chuck can start to rotate.

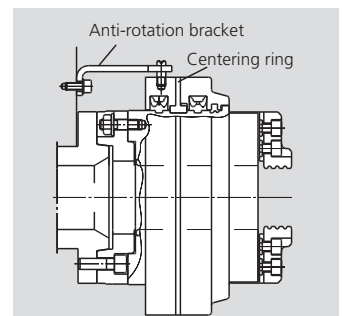
Two ways of mounting the distributor ring:

- Spacer ring and distributor ring bracket
- Centering ring and anti rotation bracket



Picture 3

Distributor ring bracket fixed (stationary) on the headstock to support the distributor ring mounted with the spacer ring. No contact between the static distribution ring and the rotating chuck.



Picture 4

Distributor ring mounted on the outer diameter of the chuck with the centering ring (teflon part subject to wear). Need of an anti-rotation bracket fixed to the machine headstock.

Technical data

SMW-AUTOBLOK Type		SP 125-26	SP 160-38	SP 240-78	SP 280-92	SP 350-115	SP 350-115 ES	SP-L 350-90
Id. No.		012044	012045	053170	052778	012588	052850	053193
Stroke per jaw	mm (inch)	3 (0.12")	4.2 (0.17")	4.2 (0.17")	5 (0.20")	5 (0.20")	10+5* (0.39"+0.20")	24 (0.94")
Operating pressure min. / max.	bar (psi)	2 / 10 (29 / 145)						
Piston area	cm ²	129	206	290	535	486	486	486
Gripping force at 6 bar (87 psi)	kN (lbf)	20 (4496)	35 (7868)	60 (13489)	95 (21357)	88 (19783)	88 (19783)	31 (6969)
Max. speed (distribution ring with centering ring)	r.p.m.	4000	3500	2800	2200	2200	2200	1000
Max. speed (distribution ring fixed stationary)	r.p.m.	4200	4200	3500	3200	3000	3000	1000
Air consumption/jaw stroke at 6 bar	liter	1.4	3.4	5.2	10.0	9.4	13.5	13.5
Weight (without jaws)	kg (lbs)	11 (24)	23 (51)	40 (88)	62 ()	78 (137)	91 (201)	97 (214)
Moment of inertia	kg·m ²	0.028	0.125	0.412	0.823	1.125	1.62	1.62

* 10 mm (0.39") extended stroke (must not be used for clamping) + 5 mm (0.20") clamping stroke.



SMW-AUTOBLOK
353

SMW-AUTOBLOK
352

Front-end pneumatic power chuck Ø 26 - 115 mm

- EXTRA large through-hole
- 3 jaws, chuck size 125 - 350
- SP-ES: Chuck with rapid and clamping stroke
- SP-L: Chuck with long jaw stroke

SP®+ SP-ES + SP-L

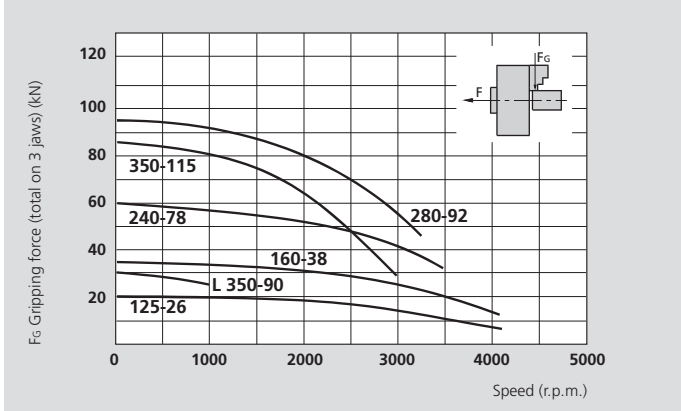
INCH
SERRATION

Actual gripping force diagram

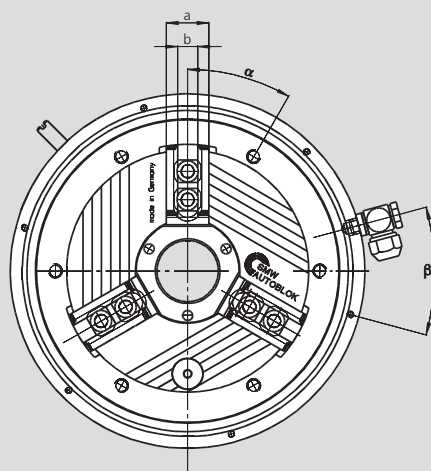
The data in the diagram refer to 3-jaw chucks, newly maintained according to their service manuals, using SMW-AUTOBLOK K05 grease, operated at 6 bar (87 psi). The speeds refer to a static bracket. The static and dynamic gripping forces have been measured using MHB hard top jaws placed in a position, not exceeding the outer diameter of the chuck.

△ Safety advice / danger of damage:

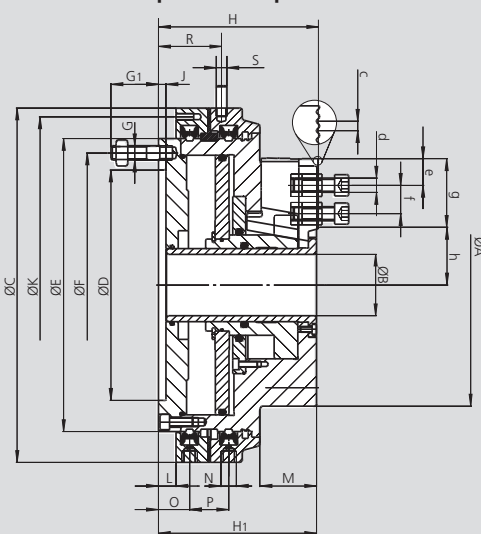
When using taller / heavier jaws and / or clamping on a bigger diameter reduce draw pull / rotating speed accordingly.



* All hoses must be min. Ø 9 mm I.D.



Jaw position: Open for external clamping



Subject to technical changes.
For more detailed information please ask our customer service.

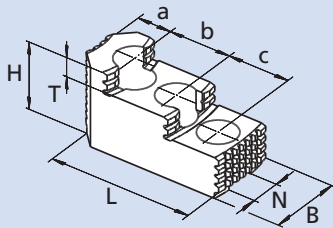
SMW-AUTOBLOK Type			SP 125-26	SP 160-38	SP 240-78	SP 280-92	SP 350-115	SP 350-115 ES	SP-L 350-90
Mounting			Z120	Z155	Z195	Z235	Z235	Z235	Z235
	A	mm	136	171	240	284	350	360	360
	B	mm	26	38	78	92	115	115	90
	C	mm	204	255	300	372	372	372 / 380	372 / 380
	D H6	mm	120	155	195	235	235	235	235
	E	mm	160	205	248	315	315	315	315
Fixing bolts circle (6 x 60°)	F	mm	137	180	223.8	290.5	290.5	290.5	290.5
Stud screw with nut	G	mm	M8	M12	M12	M12	M12	M12	M12
	G1	mm	30	40	40	39	39	39	39
	H	mm	103	131	135.5	157.5	157.5	191.5	191.5
	H1	mm	101.5	129.5	134	156	156	190	190
	J	mm	6.5	6.5	6.5	6.5	6.5	6.5	6.5
Fixing bolts circle 6 x 60° / M6	K	mm	190	242	285	358	358	358	358
	L	mm	10	14.5	15	21	21	21	21
	M	mm	35	46	48	58	62	92	92
Pneumatic connection	N	inch	G 1/8"	G 1/4"	G 1/4"	G 1/4"	G 1/4"	G 1/4"	G 1/4"
	O	mm	19	26	26.5	33	33	33	33
	P	mm	29	33	33	33	33	33	33
	R	mm	43	52	52	60	60	60	60
Anti-rotation pin	S	mm	8	12	12	12	12	12	12
	a	mm	24	30	36	44	44	44	44
	b	mm	12	14	17	21	21	21	21
Serration	c	inch	1/16" x 90°	1/16" x 90°	1/16" x 90°	1/16" x 90°	1/16" x 90°	1/16" x 90°	1/16" x 90°
Bolt ISO 4762 12.9	d	mm	M8 x 30	M10 x 35	M12 x 35	M16 x 35	M16 x 35	M16 x 35	M16 x 35
Min.	e	mm	6	8	9.5	12	12	12	12
T-nuts distance min. / max.	f	mm	17 / 25	21 / 31	22 / 41.5	25 / 51	25 / 72	25 / 72	25 / 72
Serration length	g	mm	40	50	59	75	93	92	95
Min. / max.	h	mm	25 / 28	34.9 / 39	57.7 / 61.9	70 / 65	79 / 84	85 / 100	85 / 109
	α	deg.	0°	0°	30°	0°	0°	0°	0°
	β	deg.	30°	30°	30°	45°	45°	45°	45°

SP® + SP-ES + SP-L

INCH
SERRATION

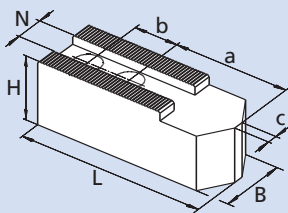
■ Top jaws
■ T-nuts

MHB-D Hard reversible top jaws



Chuck	SP 125-26	SP 160-38	SP 240-78	SP 280-92	SP 350-115 (+ES+L)
Jaw type	MHB-D 130	MHB-D 160	MHB-D 200	MHB-D 251	MHB-D 315
Id. No. (set)	12081306	12081636	12082036	12083036	12083186
B	30	34	40	45	45
H	34	39	45	56	56
L	58	65	82	105	122
T	8.5	10	10.5	13.5	13.5
N	12	14	17	21	21
Serration	1/16" x 90°	1/16" x 90°	1/16" x 90°	1/16" x 90°	1/16" x 90°
a	13	18	19	26	43
b	16	16	23	30	30
c	16	16	23	30	30
kg / set	0.6	0.9	1.7	2.85	4.05

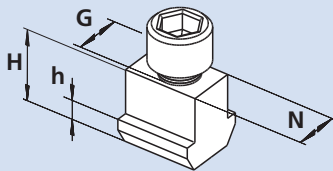
AWB-D, WBSA-D Soft top jaws



Chuck	SP 125-26	SP 160-38	SP 240-78	SP 280-92	SP 350-115 (+ES+L)
Jaw type	WBSA-D 125	AWB-D 165	AWB-D 200	AWB-D 250	AWB-D 315
Id. No. (pc.)	12071300*	035954	081616	081618	081619
B	30	40	40	50	50
H	30	40	40	50	50
L	60	80	90	120	140
N	12	14	17	21	21
Serration	1/16" x 90°	1/16" x 90°	1/16" x 90°	1/16" x 90°	1/16" x 90°
a	29	43	53	70	90
b	16	22	22	28	28
kg / set	0.9	2.0	2.7	5.1	6.3

* Jaws are per piece. 3 pieces must be ordered for 1 set.

NST T-nuts



Chuck	SP 125-26	SP 160-38	SP 240-78	SP 280-92	SP 350-115 (+ES+L)
T-nut type	NST 12	NST 14	NST 17-4	NST 21-5	NST 21-5
Id. No. (pc.)	089810	013863	013864	033429	033429
N	12	14	17	21	21
H	21.5	26.5	26.5	30	30
h	7.5	9.5	9.5	11	11
G	M8	M10	M12	M16	M16
Bolt ISO 4762 - 12.9	M8 x 30	M10 x 35	M12 x 35	M16 x 35	M16 x 35
Tighten torque Md max. (Nm)	30	50	70	150	150



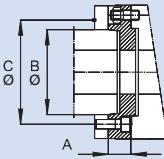
JAWS-CATALOG

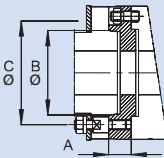
Request or
download:
www.smw-autoblok.de

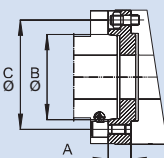
- Spindle adapters
- Grease

INCH
SERRATION

Spindle adapters for SP chucks

ISO-A DIN 55026 Spindle adapters	Chuck	SP 125-26			SP 160-38			SP 240-78			SP 280-92			SP 350-115 (+ES+L)		
	Nose dim.	A5			A5 A6			A5 A6 A8			A6 A8 A11			A6 A8 A11		
	Id. No.	017083	017085	017086	017088	080174	017090	017092	017093	017094	017092	017093	017094			
	A mm	26.0	25.5	25.5	25.5	32.2	34.0	32.0	32.0	36.0	32.0	32.0	36.0			
	B mm	82.57	82.57	106.39	82.57	106.39	139.73	106.39	139.73	196.88	106.39	139.73	196.88			
	C mm	104.8	104.8	133.4	104.8	133.4	171.4	133.4	171.4	235.0	133.4	171.4	235.0			

DIN 55027 Bayonet spindle adapters type C	Chuck	SP 125-26			SP 160-38			SP 240-78			SP 280-92			SP 350-115 (+ES+L)		
	Nose dim.	C5			C5 C6			C5 C6 C8			C6 C8 C11			C6 C8 C11		
	Id. No.	017056	017058	017059	017061	017062	017063	017065	017066	017067	017065	017066	017067			
	A mm	21.0	25.5	25	25.5	29.0	32.2	29.0	32.0	36.5	29.0	32.0	36.5			
	B mm	82.57	82.57	106.39	82.57	106.39	139.3	106.39	139.73	196.88	106.39	139.73	196.88			
	C mm	104.8	104.8	133.4	104.8	133.4	171.4	133.4	171.4	235.0	133.4	171.4	235.0			

DIN 55029 Camlock spindle adapters type S	Chuck	SP 125-26			SP 160-38			SP 240-78			SP 280-92			SP 350-115 (+ES+L)		
	Nose dim.	S5			S5 S6			S5 S6 S8			S6 S8 S11			S6 S8 S11		
	Id. No.	017117	017119	017120	017122	017123	017124	017126	017127	017128	017126	017127	017128			
	A mm	22.4	26.0	29.0	26.0	29.0	36.0	32.0	37.0	42.0	32.0	37.0	42.0			
	B mm	82.57	82.57	106.39	82.57	106.39	139.3	106.39	139.73	196.88	106.39	139.73	196.88			
	C mm	104.8	104.8	133.4	104.8	133.4	171.4	133.4	171.4	235.0	133.4	171.4	235.0			

Important for maintenance and safe operation, to be ordered with the chuck

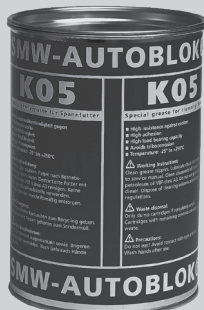
Grease K05[®]

Special grease for manual and power chucks



Cartridge 14 Oz. (DIN 1284)
Grease content 500 g
Id. No. 016440

Can 1000 g
Id. No. 011881



- High adhesion
- High resistance against coolant
- High load bearing capacity
- Low friction coefficient
- Avoids tribocorrosion

Grease gun

Grease gun (DIN 1283) for cartridges 14 Oz. (DIN 1284).



Lubrication set Id. No. 083726

Supply range

- Grease gun
- 1 Adapter flexible for high pressure grease nipple
- 1 Adapter for cone grease nipple