

US-CL

With 2-jaw long stroke chuck

US-A

With 3-jaw long or normal stroke chuck

Stationary cylinder + chuck unit Ø 80 - 315 mm

- Hydraulic cylinder module + chuck
- Closed center chucks type CL / AN / AL

Application/customer benefits

- Gripping units designed to suit special purpose machines and transfer lines
- Also used as loading chucks to handle workpieces

Technical features

- Stationary hydraulic cylinder + chuck unit consisting of a modular cylinder and standard 2- or 3-jaw chuck
- Permanent oil pressure required
- For chuck details please see technical data of the selected chuck

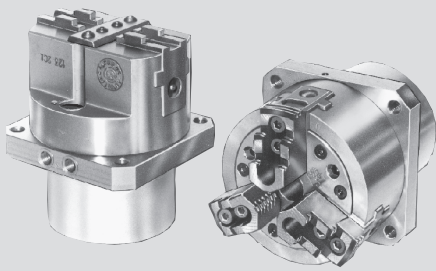
Remark: when ordering please specify the position of the oil connectors (on the side or on the back)

Standard equipment

Standard chuck with cylinder and connecting parts

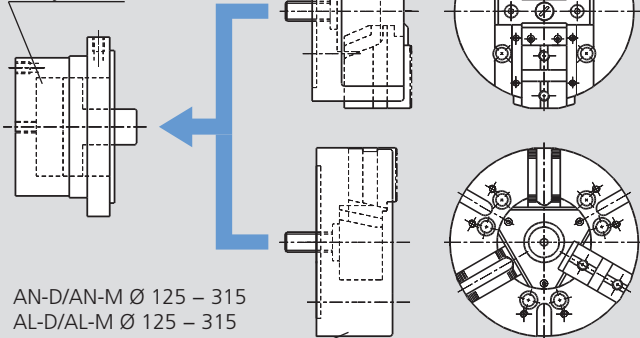
Ordering example

US 125-CLC with rear oil connection, or
US 250-AND with side oil connection and
chuck 90° revolved



CL-C Ø 80 – 160
CL-D Ø 200 – 315

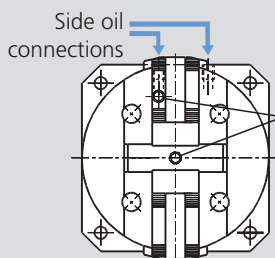
US cylinder



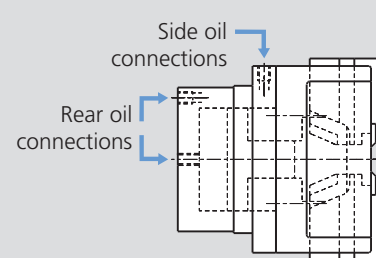
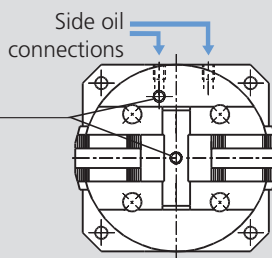
AN-D/AN-M Ø 125 – 315
AL-D/AL-M Ø 125 – 315
AN-C Ø 165 – 315

- **US-CL-C** = cylinder equipped with a 2 jaw chuck type CL-C (long stroke / tongue & groove). Chuck Ø 80 to 160 mm.
- **US-CL-D** = cylinder equipped with a 2 jaw chuck type CL-D (long stroke / inch serration). Chuck Ø 200 to 315 mm.
- **US-AN-D** = cylinder equipped with a 3 jaw chuck type AN-D (normal stroke / inch serration). Chuck Ø 125 to 315 mm.
- **US-AN-M** = cylinder equipped with a 3 jaw chuck type AN-M (normal stroke / metric serration). Chuck Ø 125 to 315 mm.
- **US-AL-D** = cylinder equipped with a 3 jaw chuck type AL-D (long stroke / inch serration). Chuck Ø 125 to 315 mm.
- **US-AL-M** = cylinder equipped with a 3 jaw chuck type AL-M (long stroke / metric serration). Chuck Ø 125 to 315 mm.
- **US-AN-C** = cylinder equipped with a 3 jaw chuck type AN-C (normal stroke / tongue & groove). Chuck Ø 165 to 315 mm.
- **Special units** = on request the US cylinder can be equipped with other chucks, for example with a quick jaw change chuck type AN-RM with stationary cylinder available.

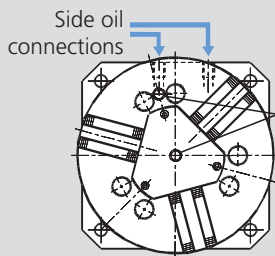
CL chuck in standard position



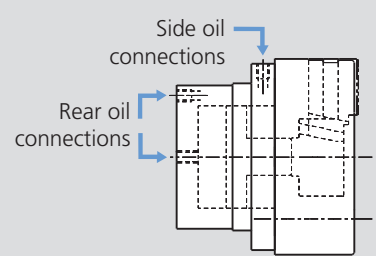
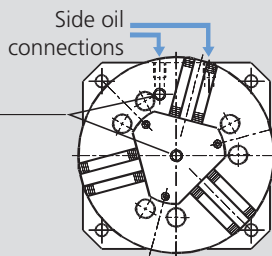
CL chuck 90° revolved



AN / AL chuck in standard position



AN / AL chuck 90° revolved



- The chuck can be mounted on the cylinder 90° revolved if the standard position creates interferences with the working cycle. Please specify in the order, if a revolved position is needed.

- The oil connections can be on the side or on the back of the cylinder in order to ease the installation of the gripping unit. Please specify in the order, which version is preferred.

Stationary cylinder + chuck unit Ø 80 - 315 mm

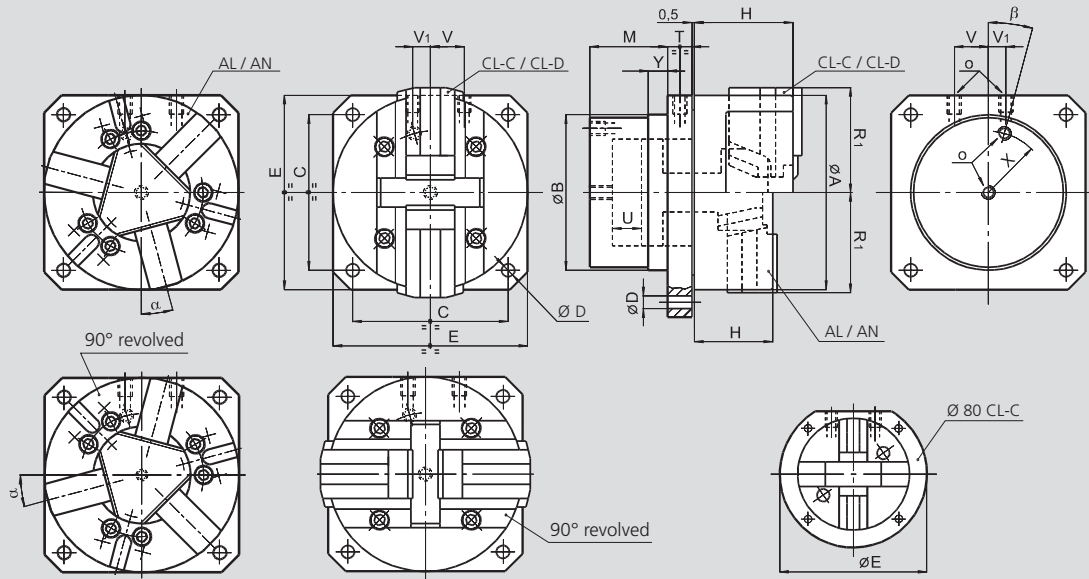
- Hydraulic cylinder module + chuck
- Closed center chucks type CL / AN / AL

US-CL

With 2-jaw
long stroke chuck

US-A

With 3-jaw long or
normal stroke chuck



Subject to technical changes.
For more detailed information please ask our customer service.

US actuating cylinder dimensions

SMW-AUTOBLOK cylinder		US 80	US 100	US 125	US 160 US 165	US 200	US 250	US 315
Id. No. CL		77755008	77755010	77755013	77755016	77755120	77755025	77755031
Id. No. AL / AN		77755008	77755010	77755113	77755016	77755120	77755025	77755031
	B h7	mm 70	84	106	128	158	185	185
	C	mm 66	84	104	130	160	200	250
	D	mm 7	9	11	11	13.5	17	17
	E	mm 105	100	130	160	200	250	315
	M	mm 45	52	60	70	80	90	90
Oil connections	O	inch 1/8 BSP	1/8 BSP	1/4 BSP	1/4 BSP	3/8 BSP	3/8 BSP	3/8 BSP
	T	mm 16	16	20	20	25	25	25
	U	mm 11	14	20	25	30	35	35
	V	mm 15	18	12	28	35	41	41
	V1	mm 15	18	12	15	18	15	15
	X	mm 27	33	43	52	63	75	75
	Y	mm 10	10	10	20	20	20	20
	β	deg. 30°	30°	15°	15°	0°	0°	0°
Piston area		cm ² 16	25	42	68	112	166	166

Units with CL-C and CL-D chucks (more information at general catalog turning page 96)

SMW-AUTOBLOK Type		US 80-CL-C	US 100-CL-C	US 125-CL-C	US 160-CL-C	US 200-CL-D	US 250-CL-D	US 315-CL-D
	A	mm 80	100	125	160	200	250	315
	H	mm 45	54	76	92	103	109	114
Chuck open	R1	mm 40	50	68	87	108	132	166
Max. pressure		bar 38	36	36	37	32	30	36
Max. gripping force		kN 9	14	24	40	55	78	95

Units with AN-D / AN-M / AN-C chucks (more information at general catalog turning page 54 and 58)

SMW-AUTOBLOK Type		US 125-AN-D US 125-AN-M	US 165-AN-D US 165-AN-M US 165-AN-C	US 210-AN-D US 210-AN-M US 210-AN-C	US 250-AN-D US 250-AN-M US 250-AN-C	US 315-AN-D US 315-AN-M US 315-AN-C
	A	mm 127	165	210	254	315
	H	mm 57	71	85	95	105
Chuck open	R1	mm 64	83	105	128	158
	α	deg. 0°	15°	15°	15°	15°
Max. pressure		bar 47	36	31	28	36
Max. gripping force		kN 56	70	105	140	180

Units with AL-D / AL-M chucks (more information at general catalog turning page 56)

SMW-AUTOBLOK Type		US 125-AL-D US 125-AL-M	US 165-AL-D US 165-AL-M	US 210-AL-D US 210-AL-M	US 250-AL-D US 250-AL-M	US 315-AL-D US 315-AL-M
	A	mm 127	165	210	254	315
	H	mm 57	71	85	95	105
Chuck open	R1	mm 67	86	109	133	164
	α	deg. 0°	15°	15°	15°	15°
Max. pressure		bar 60	44	45	39	45
Max. gripping force		kN 45	54	90	120	135

JAWS-CATALOG
Request or
download:
www.smw-autoblok.de

