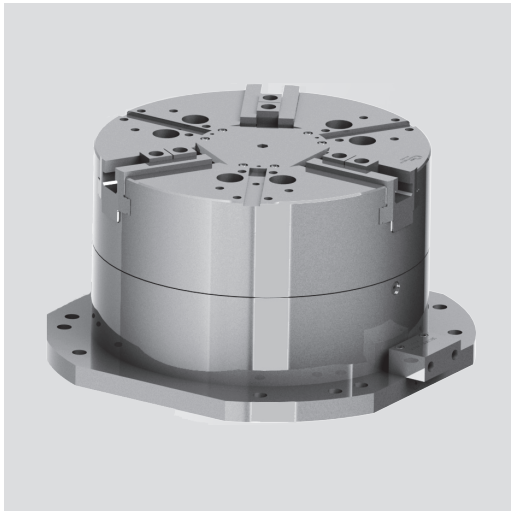


US - large diameters

Pneumatic static cylinder
for 2 or 3 or 4 jaws

Stationary cylinder + chuck unit Ø 400 - 800 mm

- Option for serrated or Tongue & Groove jaws
- Standard or sealed, depending on applied chuck
- Option of 2 / 3 / 4 jaws depending on chuck model
- Option of long or normal stroke depending on chuck model



Application/customer benefits

- Gripping of large components on vertical or horizontal machining centers

Technical features

- Standard pneumatic cylinder to be equipped with various type of chucks:
 - 2 / 3 / 4 jaws versions depending on chuck model and diameter
 - Chucks sealed or not sealed with serrated or TONGUE & GROOVE master jaw available
 - Normal or long stroke depending on chuck model and diameter
- Permanent air pressure required
- Optional SAB safety valve to hold pressure during pallet transfer

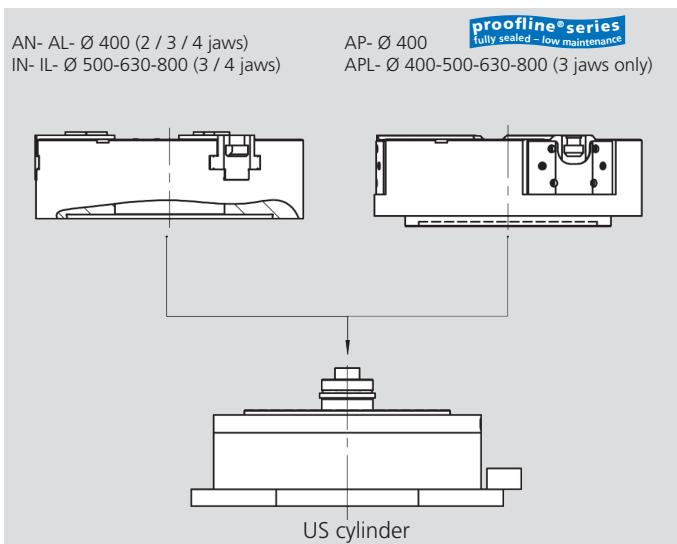
Remark: the clamping unit is made of standard cylinder + eventual connection kit (for AP and APL chucks only) + chuck to be selected.
For chuck details, please see the technical data of the selected chuck

Standard equipment

Static cylinder with connecting parts for IN / IL chucks.
For AP and APL chucks a specific connecting kit must be added

Ordering example

US-400-AN



- **US-AN** = cylinder equipped with a 3-jaw chuck type AN- (normal stroke). Chuck Ø 400 mm.
- **US-AL** = cylinder equipped with a 3-jaw chuck type AL- (long stroke). Chuck Ø 400 mm.
- **US-IN** = cylinder equipped with a 3-jaw chuck type IN- (normal stroke). Chuck Ø 500 to 800 mm.
- **US-IL** = cylinder equipped with a 3-jaw chuck type IL- (long stroke). Chuck Ø 500 to 800 mm.
- **US-AP** = cylinder equipped with a 3-jaw chuck type AP- (normal stroke). Chuck Ø 400 mm. proofline® series fully sealed - low maintenance
- **US-APL** = cylinder equipped with a 3-jaw chuck type APL- (long stroke). Chuck Ø 400 to 800 mm. proofline® series fully sealed - low maintenance

Technical data

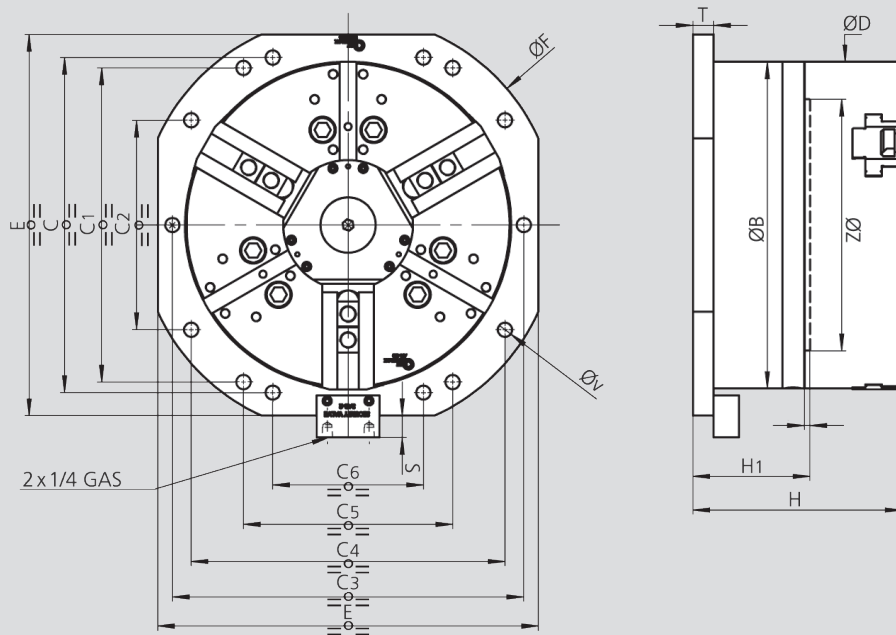
SMW-AUTOBLOK Type		US-400 AN / AL	US-400 AP / APL	US-500 APL	US-630 APL	US-800 APL	US-500 IN / IL	US-630 IN / IL	US-800 IN / IL
Piston area-chuck (open)	cm ²	800	800	1256	1256	1256	1256	1256	1256
Piston area-chuck (closed)	cm ²	760	760	1211	1211	1211	1211	1211	1211
Max. operating pressure	bar	7	7	7	7	7	7	7	7
Mass of cylinder unit	kg	118	118	175	175	175	175	175	175
Gripping force at 6 bar "N"	kN	135	125	-	-	-	175	175	175
Gripping force at 6 bar "L"	kN	80	80	130	130	130	130	130	130

Stationary cylinder + chuck unit Ø 400 - 800 mm

- Option for serrated or Tongue & Groove jaws
- Standard or sealed, depending on applied chuck
- Option of 2 / 3 / 4 jaws depending on chuck model
- Option of long or normal stroke depending on chuck model

US - large diameters

Pneumatic static cylinder
for 2 or 3 or 4 jaws



Subject to technical changes.
For more detailed information please ask our customer service.

SMW-AUTOBLOK Type	US-400 AN/AL	US-400 AP/APL	US-500 APL	US-630 APL	US-800 APL	US-500 IN/IL	US-630 IN/IL	US-800 IN/IL
O. D. cylinder	B mm	390	390	475	475	475	475	475
	C mm	400	400	-	-	-	-	-
	C1 mm	375	375	300	300	300	300	300
	C2 mm	250	250	-	-	-	-	-
	C3 mm	-	-	500	500	500	500	500
	C4 mm	375	375	400	400	400	400	400
	C5 mm	250	250	-	-	-	-	-
	C6 mm	180	180	-	-	-	-	-
Ø chuck	D mm	390	390	500	630	800	510	630
	E mm	455	455	525	525	525	525	525
	E1 mm							
	ØF mm	500	500	538	538	538	538	538
	H mm	250	273	300	310	330	270	290
	H1 mm	140	140	146	146	146	146	146
	I mm	7	7	7	7	7	7	7
	T mm	25	25	25	25	25	25	25
	ØV mm	17	17	17	17	17	17	17
	ØZ h7 mm	300	300	380	380	380	380	380

Ordering review

SMW-AUTOBLOK Size	400	500	630	800
A: Cylinder Id. No. (for all versions)	97504004	97506302	97506302	97506302
B: Kit Id. No. (only for „AP“ & „APL“ chucks)	97634004	97635002	97636302	97646302

- If the cylinder operates a IN / IL or a AN / AL chuck (with 2 / 3 / 4 jaws and various jaw types), only the p/n in line A must be purchased. The chuck must be ordered separately.
- If the cylinder operates a AP / APL chuck (only 3 jaws available and various jaw types), both p/ns in line A and B must be purchased. The chuck must be ordered separately.
- For technical information on the chucks, please see the specific catalogue page. (more information at general catalog turning).
- For the chucks p/ns, please see our price lists or ask a quotation to your nearest SMW-AUTOBLOK office.

JAWS-CATALOG
Request or
download:
www.smw-autoblok.de

