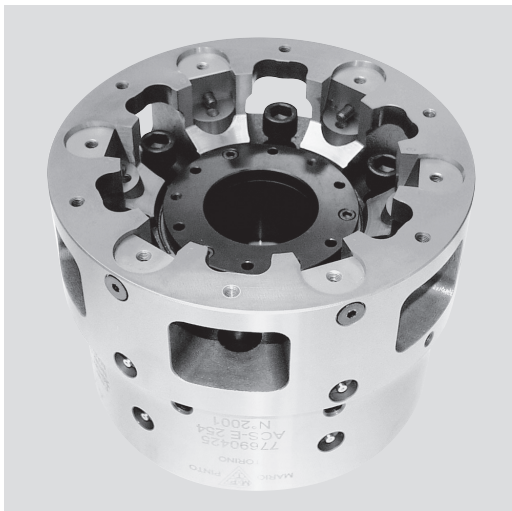


ACS-E 6

Self centering column chuck

Self-centering column chucks with pull down Ø 200 - 450 mm

- Pull down
- power operated via standard cylinders
- O.D. clamping



Application/customer benefits

- For small, medium and large quantities at high precision
- Pull down of the workpiece to the axial workstop during clamping
- Minimum loss of gripping force at high speed
- Standard, hardened jaw blanks available

Technical features

- Chuck body completely case hardened
- Openings in the chuck body to evacuate chips
- Central bore for coolant / air

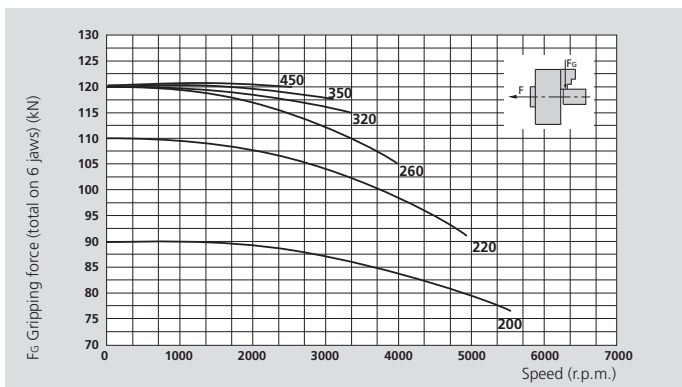
Standard equipment

6 jaw chuck
Mounting bolts

Ordering example

6 jaw column chuck
with center mounting Z170
type ACS-E 6 220 Z170

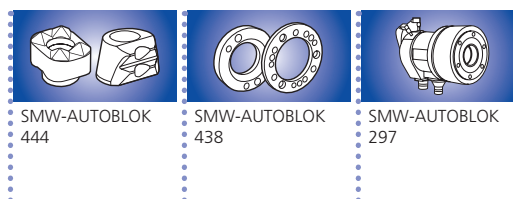
Actual gripping force diagram



The diagrams refer to standard jaw blanks, machined to 50% of their mass.

Technical data

SMW-AUTOBLOK Type		ACS-E 6 200	ACS-E 6 220	ACS-E 6 260	ACS-E 6 320	ACS-E 6 350	ACS-E 6 450
Jaw stroke	mm	2.6	3.2	4	6	6	6
Piston stroke	mm	10	12	15	15	15	15
Actuating force max.	kN	40	50	50	65	65	65
Grip force max.	kN	90	110	120	120	120	120
Speed max.	r.p.m.	5500	4900	4300	3400	3100	2200
Weight	kg	30	35	50	75	90	130
Moment of inertia	kg·m ²	0.16	0.21	0.35	0.84	1	3
Clamping range	min.	30	50	90	90	120	210
Clamping range	max.	100	125	165	215	245	335
Rec. actuating cylinders	Type	SIN-S 100	SIN-S 125	SIN-S 125	SIN-S 125	SIN-S 125	SIN-S 125
Rec. actuating cylinders	Type	SIN-S 125	SIN-S 150	SIN-S 150	SIN-S 150	SIN-S 150	SIN-S 150
Chuck	Id. No.	77690420	77690422	77690425	77690432	77690435	77690445
Jaw blanks	Id. No.	69762040	69762240			69763210	



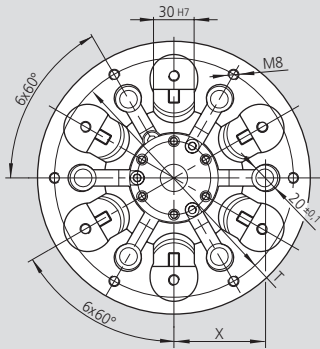
Self-centering column chucks with pull down Ø 200 - 450 mm

- Pull down
- Power operated via standard cylinders
- O.D. clamping

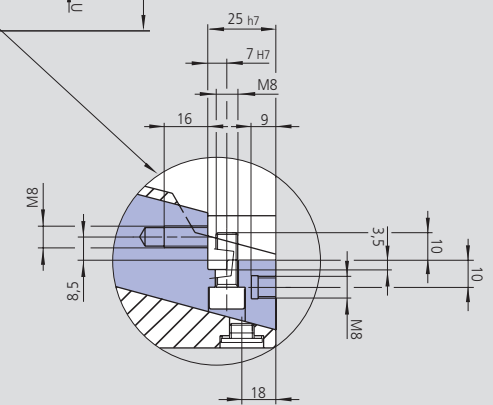
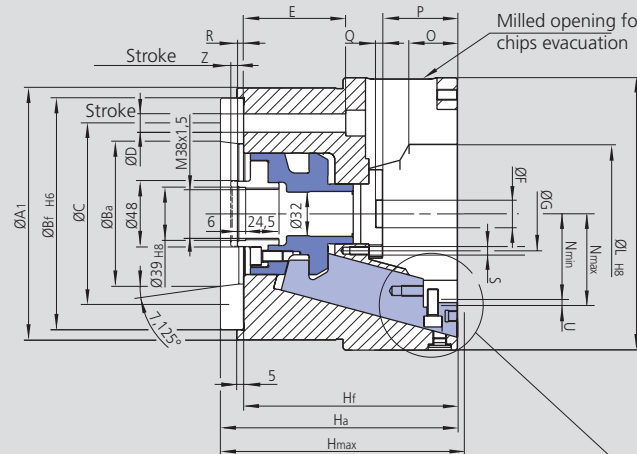
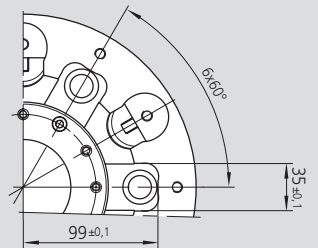
ACS-E 6

Self centering
column chuck

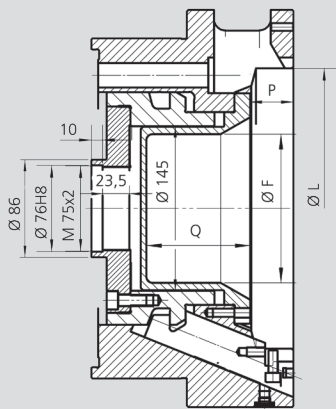
ACS-E 450



ACS-E 260



ACS-E 320-350-450



2 media can be used through the chuck's bore.
Specials on request.

Subject to technical changes.
For more detailed information please ask our customer service.

SMW-AUTOBLOK Type		ACS-E 6 200	ACS-E 6 220	ACS-E 6 260	ACS-E 6 320	ACS-E 6 350	ACS-E 6 450
Mounting		ISO-A6 Z170	ISO-A6 Z170	ISO-A8 Z220	ISO-A11 Z280	ISO-A11 Z280	ISO-A15 Z380
A	mm	200	220	260	324	354	450
A1	mm	185	185	235	300	300	410
Ba	mm	106.375	106.375	139.719	196.869	196.869	285.775
Bf	mm	170	170	220	280	280	380
C	mm	133.4	133.4	171.4	235	235	330.2
D	mm	13	13	17	21	21	25
E	mm	75	75	91	97	97	97
F	mm	20	30	70	105	131	180
G	mm	54	68	107	154	184	270
Hmax.	mm	179	183	198.5	200.5	200.5	200.5
Ha	mm	174	177	191	193	193	195
Hf	mm	157	160	172	172	172	172
L	mm	102	126	167	217	247	336
Nmin.	mm	66.3	76.6	97	123	138	182
Nmax.	mm	63.7	73.4	93	117	132	176
O	mm	32	33	34	33	33	33
P	mm	55	50.5	40	38	38	38
Q	mm	7	7	65.5	91.5	91.5	90
R	mm	4.5	3.5	2	6	6	6
S	mm	6 x M6	6 x M6	6 x M6	6 x M6	6 x M6	6 x M6
T	mm	175	190	226	290	320	405
Stroke	U	mm	2.6	3.2	4	6	6
Stroke	Z	mm	10	12	15	15	15
X	mm	66.7	72	-	-	-	-
W	mm	5	5	5	6	6	6