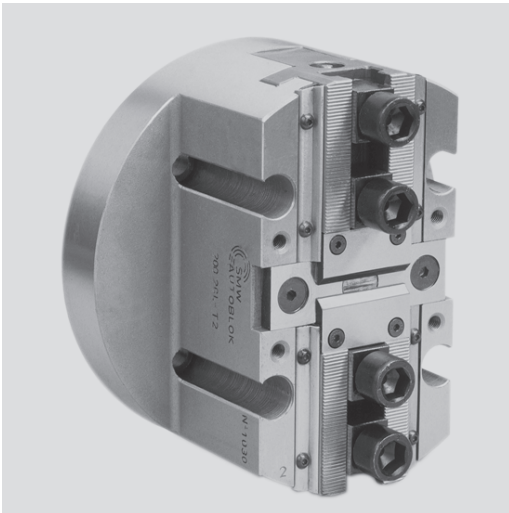


CL-C

TONGUE & GROOVE

CL-DINCH
SERRATION**High precision power chucks Ø 80 - 315 mm**

- Long stroke
- Closed center
- 2 jaws

**Application/customer benefits**

- Gripping or handling of irregular shaped pieces, for example on special machines
- Suitable for vertical machines

CL-C: TONGUE & GROOVE master jaws DIN standard (Ø 80-160 mm)**CL-D:** Master jaws with INCH SERRATION (1/16" x 90°) (Ø 200-315 mm)**Technical features**

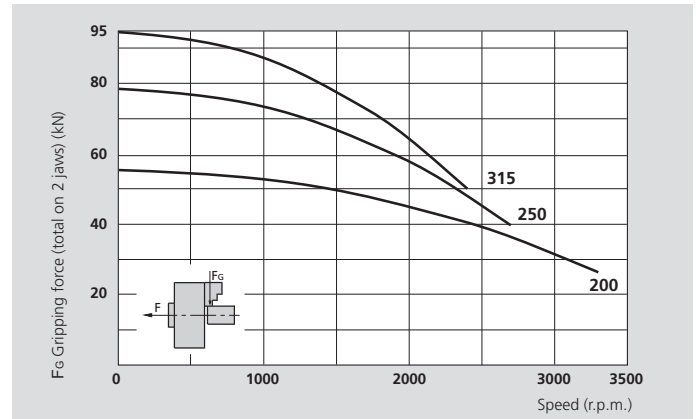
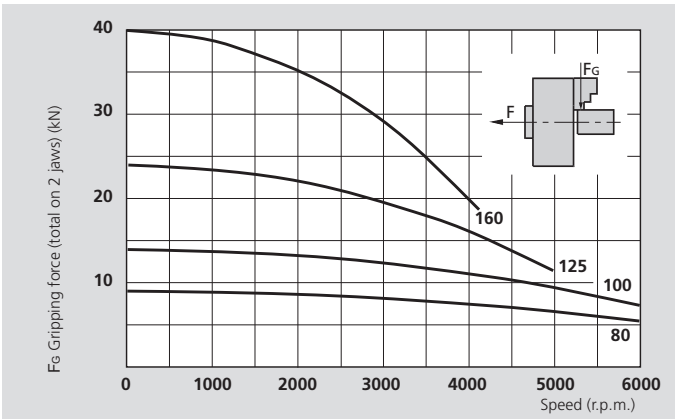
- Extra long stroke per jaw
- Gripping force transmission via wedge hook
- Sealed against swarf and chips

Standard equipment

2 jaw chuck
4 T-nuts with bolts (Ø 200-315 mm)
Without top jaws

Ordering example

2 jaw chuck CL-D 250 / A8
or
2 jaw chuck CL-C 100 / Z92

Actual gripping force diagrams

The data in the diagram refer to 2 jaw chucks, newly maintained according to their service manuals using SMW-AUTOBLOK K05 grease. The static and dynamic gripping forces have been measured using standard soft top jaws, placed in a position not exceeding the outer diameter of the chuck.

△ Safety advice / danger of damage:

When using taller / heavier jaws and / or clamping on a bigger diameter reduce draw pull / rotating speed accordingly.

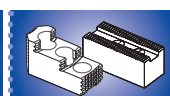
Technical data

SMW-AUTOBLOK Type		CL-C 80	CL-C 100	CL-C 125	CL-C 160	CL-D 200	CL-D 250	CL-D 315
Number of jaws		2	2	2	2	2	2	2
Radial jaw stroke	mm	4.4	5.5	8	10	12	13	14
Axial piston stroke	mm	11	14	20	25	30	32	35
Max. draw pull*	kN	6	9	15	25	35	50	60
Max. gripping force*	kN	9	14	24	40	55	78	95
Max. speed	r.p.m.	6000	6000	5000	4100	3300	2700	2400
Weight (without top jaws)	kg	1.5	2.5	5	10	14	24	38
Moment of inertia	kg·m ²	0.0012	0.003	0.010	0.03	0.065	0.18	0.41

* For internal clamping reduce the draw pull by 30%.



SMW-AUTOBLOK
438



SMW-AUTOBLOK
440



SMW-AUTOBLOK
297

High precision power chucks \varnothing 80 - 315 mm

- Long stroke
- Closed center
- 2 jaws

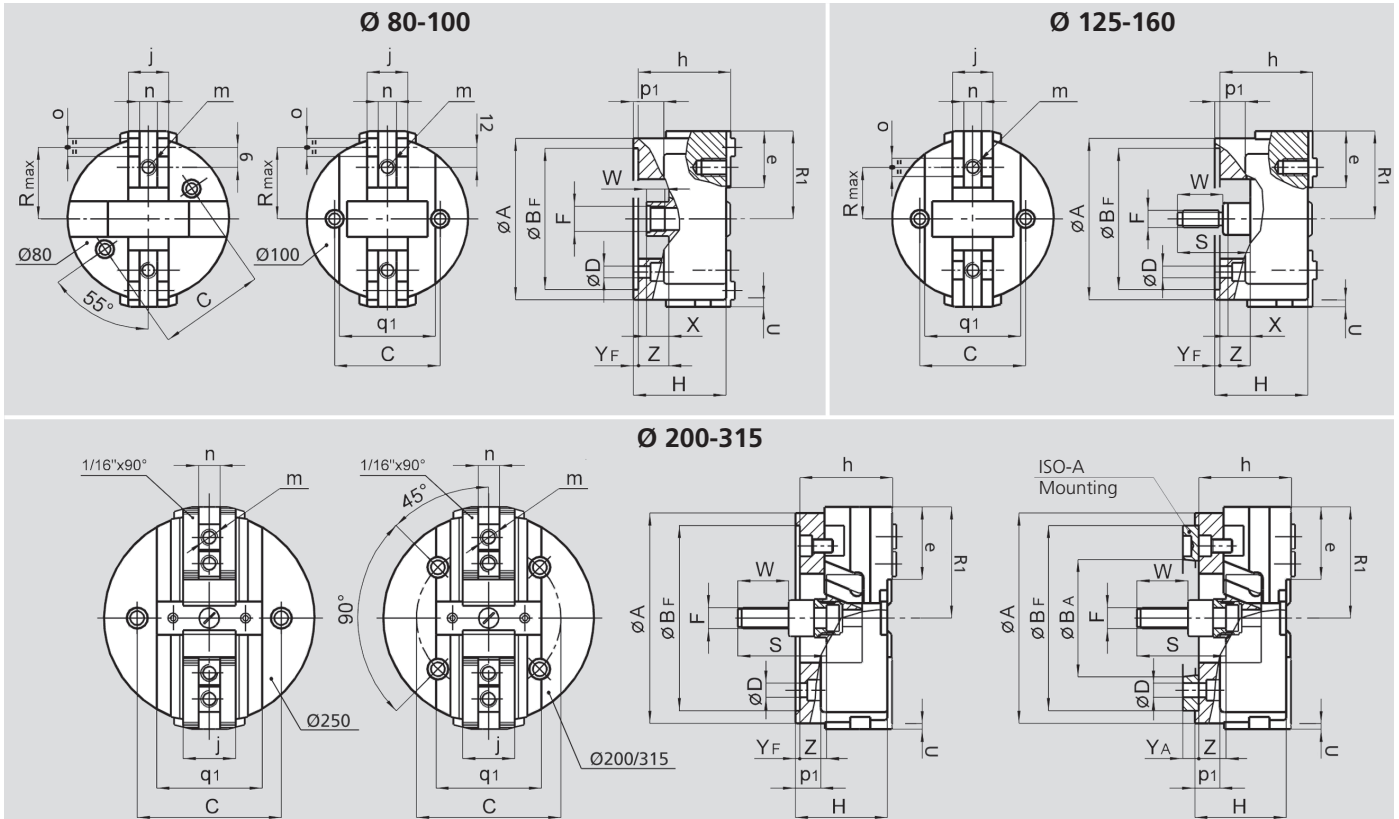
CL-C

TONGUE & GROOVE

CL-D

INCH
SERRATION

1



Subject to technical changes.
For more detailed information please ask our customer service.

SMW-AUTOBLOK Type			CL-C 80		CL-C 100		CL-C 125		CL-C 160		CL-D 200		CL-D 250		CL-D 315					
			TONGUE & GROOVE														INCH SERRATION			
Mounting			Z74	-	Z92	-	Z115	-	Z140	A5	Z170	A6	Z220	A8	Z220	A8				
	A	mm	80		100		125		160		200		250		315					
	BF H6	mm	74	-	92	-	115	-	140		170		220		220					
	BA	mm	-	-	-	-	-	-	82.563		-	106.375	-	139.719	-	139.719				
	C	mm	60		75		92		104.8		133.4		171.4		171.4					
	D	mm	9	-	11	-	13.5	-	12	12	13.5	13.5	17	17	17	17				
	F	mm	M16 x 1.5		M18 x 1.5		M16		M16		M20		M24		M24					
	HF/HA	mm	45	-	54	-	76	-	92	102	103	115	109	123	114	128				
Chuck open	R1	mm	40		50		68		87		108		132		165					
	Rmax	mm	32.4		43		38		51		-		-		-					
	S	mm	-		-		49		109		97		105		105					
Jaw stroke	U	mm	4.4		5.5		8		10		12		13		14					
	W	mm	12		16		40		52		55		60		60					
	X	mm	14		11		6		22		8		10		10					
	YF/YA	mm	4	-	4	-	4	-	5	15	5	17	5	19	5	19				
Min. / max.	Z	mm	11 / 0		14 / 0		26 / 6		30 / 5		30 / 0		32 / 0		37 / 2					
	e	mm	24.5		32		46		56		70		86		120					
	h	mm	45		54		76		91		104		110		115					
	j	mm	20		22		30		40		50		62		62					
	m	mm	M8		M10		M12		M16		M16		M20		M20					
	n h8	mm	8		8		14		18		21		25.5		25.5					
	o	mm	8		8		16		18		-		-		-					
	p1	mm	-		22		30		30		31		33		36					
	q1	mm	-		60		75		95		110		125		140					