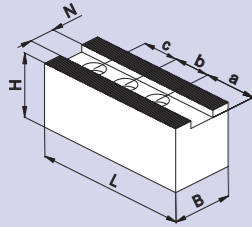


WBSA-M

Soft top jaws



- Metric serration 1.5 x 60°
- Material: C45

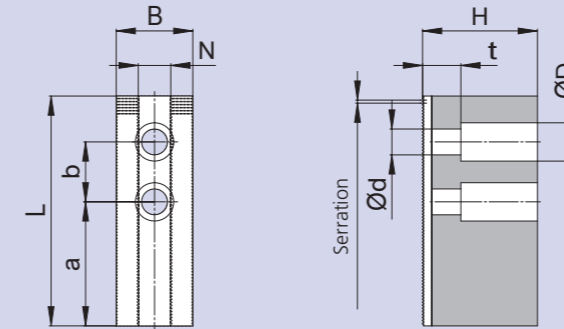
Type	Id. No.	B	H	L	N	Serration	a + b + c f. ISO 4762	kg/ piece	SMW-AUTOBLOK
WBSA-M 125*	12071301	30	30	60	12	1.5 x 60°	29 + 16 M8	0.32	AN-/AL-M 125 BH-M 130 BB-M 140 HB/PB-M130
WBSA-M 165*	12071621	30	35	70	12	1.5 x 60°	34 + 20 M10	0.42	HFKN-M 165 AN/AL/BH-M 165 BHM-FC 165 RC-M 165 AP/NT-M 170 BB-M 175 HB/PB/PBI-M 165
WBSA-M 210*	12072121	35	40	90	14	1.5 x 60°	45 + 20 M12	0.74	HFKN-M 210 AN/AL/BH/BB-M 210 BHM-FC 210 RC-M 210 AP/APL/NT-M 215 HB/PB/PBI-M 210
WBSA-M 250*	12072621	45	45	110	16	1.5 x 60°	60 + 30 M12	1.40	HFKN-M 260 AN/AL/BH/BB-M 250 BHM-FC 250 RC-M 250 AP/APL/NT-M 260 HB/PB/PBI-M 250
WBSA-M 315	12073001	50	50	125	21	1.5 x 60°	22 + 30 + 30 M16	1.85	HFKN-M 315 BHM-FC 315 AN/AL/BH/BB-M 315 RC-M 305 AP/APL/NT-M 315 HB/PB/PBI-M 315
WBSA-M 400	12074031	60	60	140	21	1.5 x 60°	25 + 34 + 34 M16	3.21	RC-M 400 GH-M 400
WBSA-M 401	12074021	60	60	140	22	1.5 x 60°	75 + 38 M20	3.20	AP/AP-L/NT-M 400 AN/AL-M 400 BH-M 400/450 BHM-FC 400

* Jaws pointed

Soft special jaws to customer request

- Simply copy and fax to: +49 (0) 7542 3886
- Download from www.smw-autoblok.de

Soft top jaw-blanks

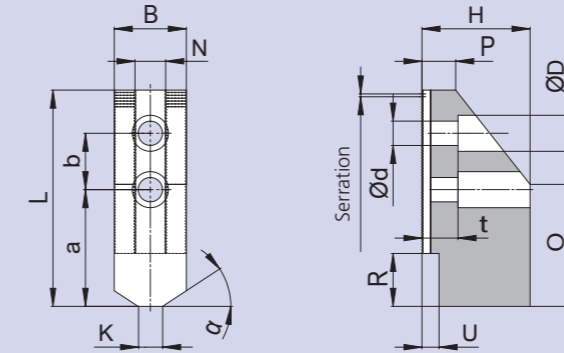


Dimensions			
a	mm	H	mm
b	mm	L	mm
B	mm	N	mm
d	mm	t	mm
D	mm		

Jaw serration (please mark)		
	1/16" x 90°	1.5 x 60°
	3/32" x 90°	3 x 60°

Material
Quantity in pieces
Chuck manufacturer
Chuck type + size

Soft top jaw-blanks weight reduced

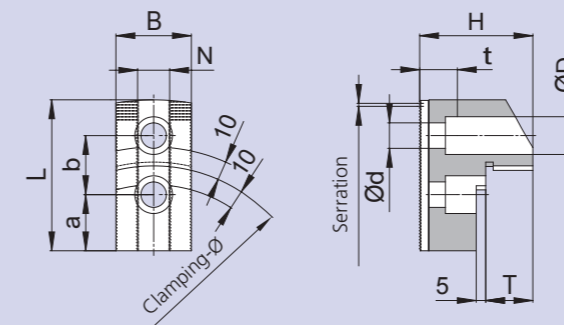


Dimensions			
a	mm	K	mm
b	mm	O	mm
B	mm	P	mm
d	mm	R	mm
D	mm	t	mm
H	mm	U	mm
L	mm	α	Grad
N	mm		

Jaw serration (please mark)		
	1/16" x 90°	1.5 x 60°
	3/32" x 90°	3 x 60°

Material
Quantity in pieces
Chuck manufacturer
Chuck type + size

Soft top jaws for OD clamping

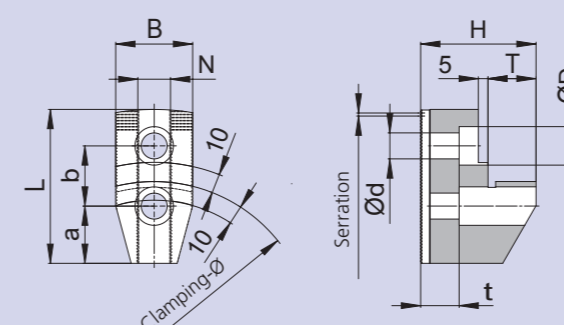


Dimensions			
a	mm	L	mm
b	mm	N	mm
B	mm	t	mm
d	mm	T	mm
D	mm	Clamping-Ø	mm
H	mm	Workpiece-Ø	mm

Jaw serration (please mark)		
	1/16" x 90°	1.5 x 60°
	3/32" x 90°	3 x 60°

Material
Quantity in pieces
Chuck manufacturer
Chuck type + size

Soft top jaws for ID clamping



Dimensions			
a	mm	L	mm
b	mm	N	mm
B	mm	t	mm
d	mm	T	mm
D	mm	Clamping-Ø	mm
H	mm	Workpiece-Ø	mm

Jaw serration (please mark)		
	1/16" x 90°	1.5 x 60°
	3/32" x 90°	3 x 60°

Material
Quantity in pieces
Chuck manufacturer
Chuck type + size

