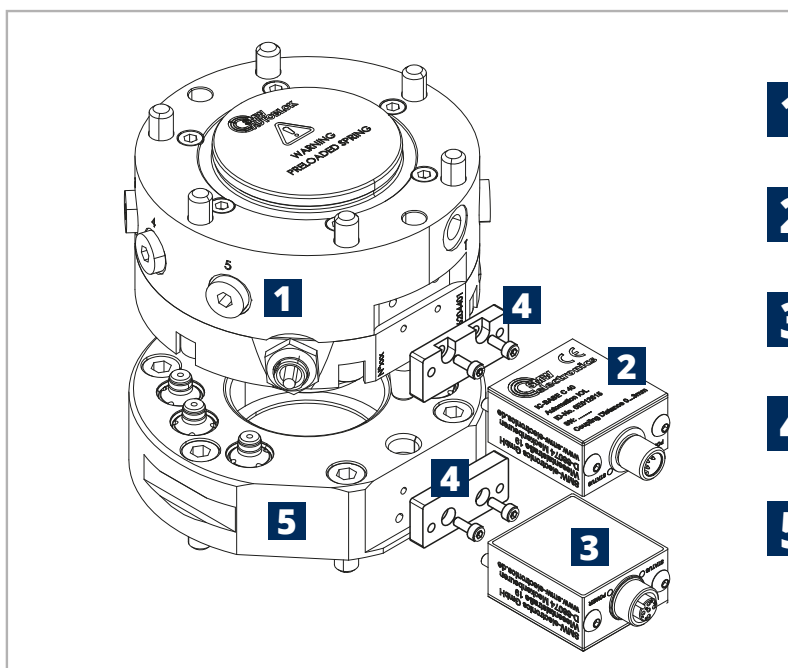


# PRS

## Robot quick change systems

### CUSTOMER BENEFITS

- ▶ Quick and safe gripper change
- ▶ ISO flange
- ▶ Pneumatic drive
- ▶ Self-locking by spring tension (turbo)
- ▶ Wear-free and maintenance-free contactless transmission system for energy and signals (optional)
- ▶ Integrated interlock status query



- 1** QUICK CHANGE MODULE ROBOT SIDE
- 2** CONNECTION MODULES / INDUCTIVE COUPLING BASE UNIT
- 3** CONNECTION MODULES / INDUCTIVE COUPLING REMOTE UNIT
- 4** MOUNTING KIT
- 5** QUICK CHANGE MODULE TOOL SIDE



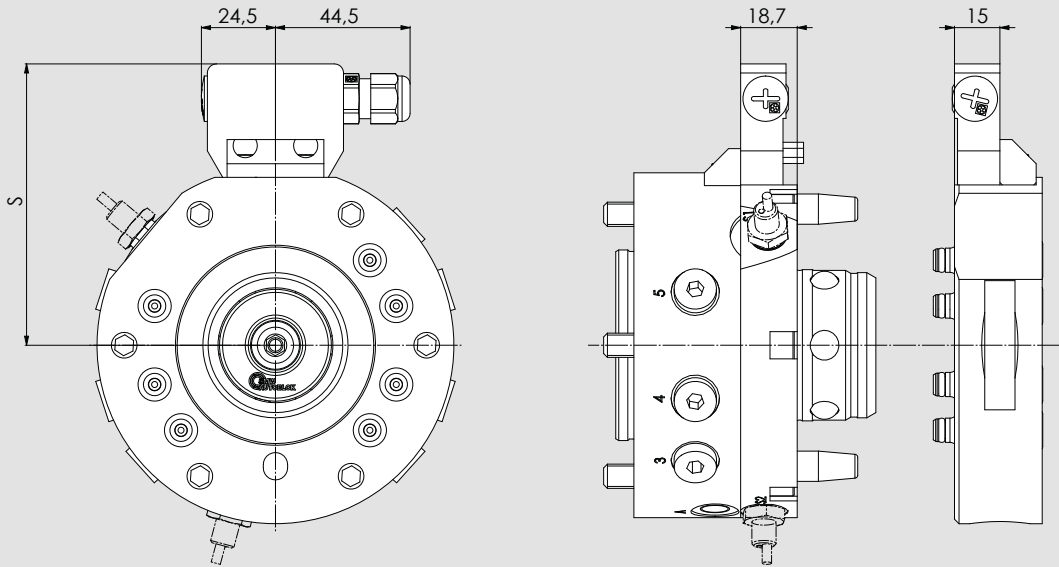
SMW-Autoblok TYPE	Size					Id.n. without pallet	n. pneumatic connections		Stroke control: Inductive and analogic proximity- based	Pneumatic opening	Springs clamp + TURBO	Electric signal interface module (optional)
	55	85	110	160	240		6	7				
PRS	55					46204550						
		85				46204600						
			110			46204400						
				160		46204320						
					240	46204500						



**CLAMPING EXAMPLE**

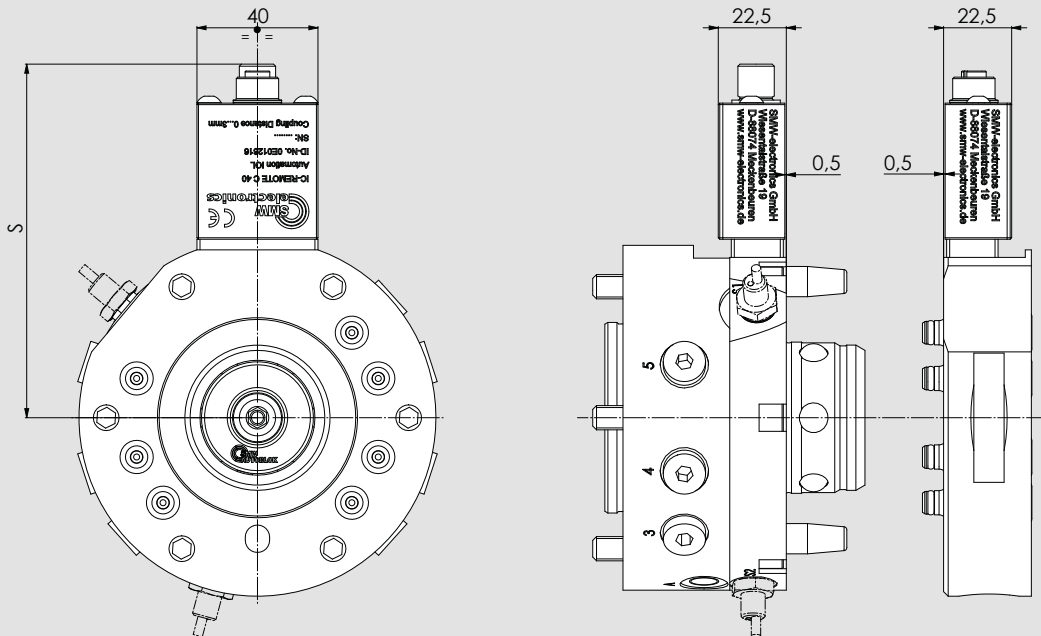
Id.n. PRS	Max liftable weight	Repeatability 0,015 mm	Pull-down force		Pressure		Weight
			spring	spring + TURBO	open	TURBO	
46204550	20 kg	0,015	70 daN	340 daN	6 bar	6 bar	0,5 kg
46204600	50 kg	0,015	200 daN	1000 daN	6 bar	6 bar	1,3 kg
46204400	75 kg	0,015	250 daN	1400 daN	6 bar	6 bar	3 Kg
46204320	150 kg	0,015	400 daN	1900 daN	6 bar	6 bar	6 Kg
46204500	500 kg	0,015	1250 daN	7600 daN	6 bar	6 bar	16 Kg

# CONNECTORS AND SENSORS



PRS Type		Id.N.	Description
55-85	ROBOT SIDE	71820303	Spring female connector
	GRIPPER SIDE	71820304	Spring male connector
110-160-240	ROBOT SIDE	46204420	Spring female connector kit
	GRIPPER SIDE	46204419	Spring male connector kit

# CONNECTORS and SENSORS C40 SMW-Autoblok



## Technical data

- Cubical coupling system (40x45x22 mm)
- Ideal suited for EOAT applications
- Power supply 24V
- Transmission distance 0 - 3 mm
- Energy transmission 15W (24V)
- Signal transmission
- IO-Link (COM 1, COM 2, COM 3) / 6 PNP Signals + 2 Analog signals 0-10V
- IP67 Protection class

for more details see Mechatronik chapter