

Soft top jaws for front end power chucks

- Inch serration 1/16" x 90° or 3/32" x 90°
- Material: 16MnCr5, C45¹

Type	Id. No.	B	H	L	N	Serration	a + b for ISO 4762	kg	SMW-AUTOBLOK	Röhm	Schunk
WBC-D 125*	013795**	30	40	74	11	1/16" x 90°	35 + 18 M8	1.62 **		LVE 125	TP 125-26 ROTA TP 125
MWB-D 130	013488**	30	40	55	12	1/16" x 90°	29 + 16 M8	1.2 **	SP 125 ab Bj. 98 STP 125		
WBSA-D 125 ^{1*}	12071300***	30	30	60	12	1/16" x 90°	29 + 16 M8	0.96 ***	SP 125 ab Bj. 98 STP 125		
AWB-D 165*	035954**	40	40	80	14	1/16" x 90°	43 + 22 M10	2.32 **	SP 160 ab Bj. 98 STP 160	LVE 160	TP 160-38 ROTA TP 160
AWB-D 200*	081616**	40	40	90	17	1/16" x 90°	53 + 22 M12	2.61 **	SP 200/240 STP 200/240 CC 240 Z	LVE 200	TP 200-52 ROTA TP 200
AWB-D 250*	081618**	50	50	120	21	1/16" x 90°	70 + 28 M16	5.37 **	SP 250/280/350 SP 280 STP 280	LVE 250 LVE 315	TP 250/315 ROTA TP 250 ROTA TP 315/350
AWB-D 315*	081619**	50	50	140	21	1/16" x 90°	90 + 28 M16	6.48 **	SP 350 SP-L 350 CC 350 Z		TP 315 ROTA TP 315/350
WBSA-D 500 ¹	12075050***	59.5	60	170	25.5	3/32" x 90°	69 + 38 + 38 M20	3.62 ***	BB-N 400/470 BB-N 500/600 BB-N ES 400/470 BB-N ES 500/600 BB-EXL(SC)2G 510 BB-EXL(SC)2G 660	LVE 400/500 LVE 630/800 LVE 1000	TB 400 ROTA EP 380 ROTA TB 400 TB 500 ROTA EP 460 ROTA TB 500/610 ROTA TB 630-265LH
WBC-D 502 ¹	12075140***	60	60	205	25.5	3/32" x 90°	104 + 38 + 38 M20	4.50 ***	BB-N 400/470 BB-N 500 BB-N ES 400/470 BB-N ES 500/600 BB-EXL(SC)2G 510 BB-EXL(SC)2G 660	LVE 400/500 LVE 630/800 LVE 1000	TB 400 ROTA EP 380 ROTA TB 400 TB 500 ROTA EP 460 ROTA TB 500/610 ROTA TB 630-265LH
WBC-D 630 ¹	12076440***	80	80	240	30	3/32" x 90°	110 + 50 + 50 M24	9.65 ***	BB-N 630 BB-N ES 630 BB-AZ2G 685 BB-AZ2G 740 BB-AZ2G 1000 BB-EXL(SC)2G 900		ROTA TB 630 TB 800/1000/1200 ROTA TB 800/850 ROTA TB 100/1200
WBC-D 800 ¹	12078040***	80	80	320	30	3/32" x 90°	165 + 60 + 60 M24	13.29 ***	BB-N 800/ 1000 BB-N ES 850 BB-N ES 1000 BB-AZ2G 685 BB-AZ2G 740 BB-AZ2G 1000 BB-EXL(SC)2G 900		TB 800/1000/1200 ROTA TB 800/850 ROTA TB 100/1200
WBCL-D 800 ¹	12079040***	80	80	390	30	3/32" x 90°	230 + 60 + 60 M24	16.55 ***	BB-N 800/ 1000 BB-N ES 850 BB-N ES 1000 BB-AZ2G 685 BB-AZ2G 740 BB-AZ2G 1000 BB-EXL(SC)2G 900		TB 800/1000/1200 ROTA TB 800/850 ROTA TB 100/1200

* Jaws pointed

** Jaws / Set

*** Jaw / Piece

¹ Material C45



SMW-AUTOBLOK
26, 35, 184, 186



SMW-AUTOBLOK
63

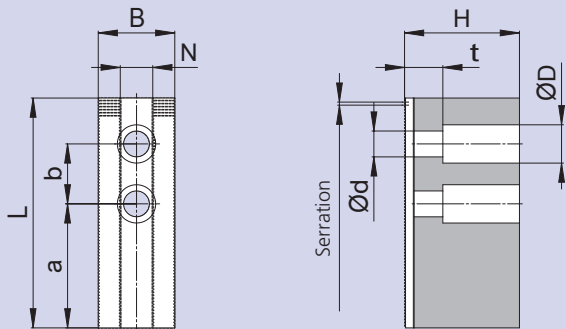


SMW-AUTOBLOK
74

Soft special jaws to customer request

- Simply copy and fax to: +49 (0) 7542 3886
- Download from www.smw-autoblok.de

Soft top jaw-blanks

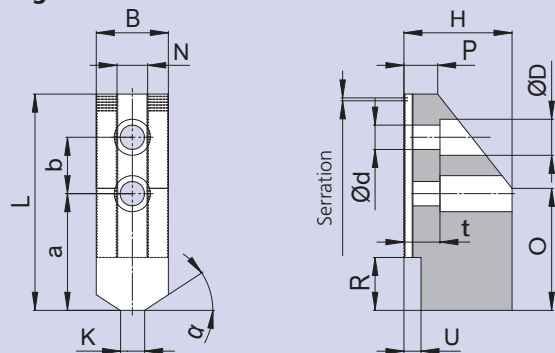


Dimensions					
a		mm	H		mm
b		mm	L		mm
B		mm	N		mm
d		mm	t		mm
D		mm			

Jaw serration (please mark)			
	1/16" x 90°		1.5 x 60°
	3/32" x 90°		3 x 60°

Material					
Quantity in pieces					
Chuck manufacturer					
Chuck type + size					

Soft top jaw-blanks weight reduced

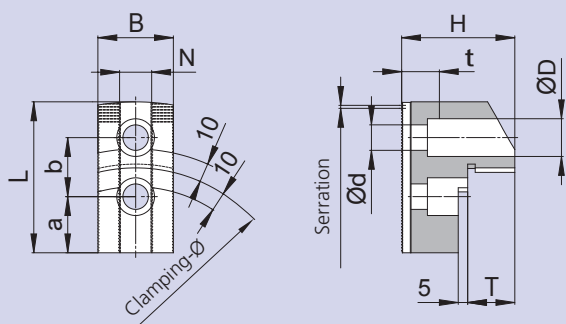


Dimensions					
a		mm	K		mm
b		mm	O		mm
B		mm	P		mm
d		mm	R		mm
D		mm	t		mm
H		mm	U		mm
L		mm	α		Grad
N		mm			

Jaw serration (please mark)			
	1/16" x 90°		1.5 x 60°
	3/32" x 90°		3 x 60°

Material					
Quantity in pieces					
Chuck manufacturer					
Chuck type + size					

Soft top jaws for OD clamping

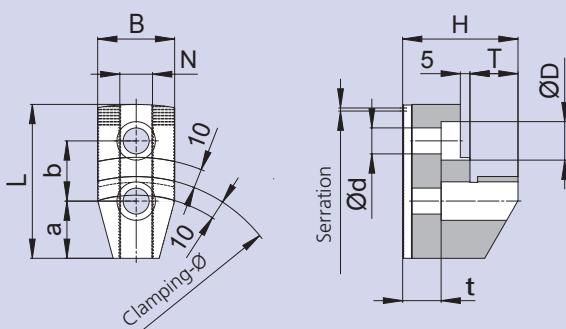


Dimensions					
a		mm	L		mm
b		mm	N		mm
B		mm	t		mm
d		mm	T		mm
D		mm	Clamping-Ø		mm
H		mm	Workpiece-Ø		mm

Jaw serration (please mark)			
	1/16" x 90°		1.5 x 60°
	3/32" x 90°		3 x 60°

Material					
Quantity in pieces					
Chuck manufacturer					
Chuck type + size					

Soft top jaws for ID clamping



Dimensions					
a		mm	L		mm
b		mm	N		mm
B		mm	t		mm
d		mm	T		mm
D		mm	Clamping-Ø		mm
H		mm	Workpiece-Ø		mm

Jaw serration (please mark)			
	1/16" x 90°		1.5 x 60°
	3/32" x 90°		3 x 60°

Material					
Quantity in pieces					
Chuck manufacturer					
Chuck type + size					