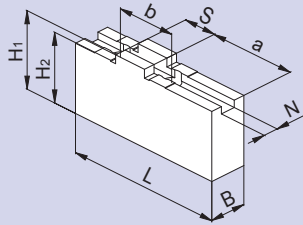


WAKA

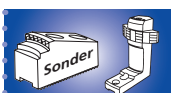


Soft top jaws 2, 3 and 4 jaw versions for power chucks

- American Standard tongue and groove
- Material: C45

Type	Id. No.	B	H ₂	L	N	S	a	b	ISO 4762	kg/ piece	SMW-AUTOBLOK
WAKA 165*	12041660	30	32	80	7.94	12.68	43.66	38	M10	0.47	RAN 160 AN-C 165 HB-C 165 PB-C 165 PBI-C 165 AP-C 170 NT-C 170
WAKA 210*	12042060	35	37	100	7.94	12.68	58.66	44.4	M12	0.81	RAN 200 AN-C 210 HB-C 210 PB-C 210 PBI-C 210 AP-C 215 APL-C 215 NT-C 215
WAKA 250*	12042560	45	42	120	12.7	19.03	68.5	54	M16	1.40	AN-C 250 HB-C 250 PB-C 250 PBI-C 250 RAN 250 AP-C 260 APL-C 260 NT-C 260
WAKA 315*	12043060	50	47	140	12.7	19.03	80.48	63.5	M16	2.14	AN-C 315 HB-C 315 PB-C 315 PBI-C 315 RAN 315 AP-C 315 APL-C 315 NT-C 315
WAKA 400	12044050	60	55	165	12.7	19.03	95.49	76.2	M20	3.53	AN-C 400 AP-C 400 APL-C 315 NT-C 400 RAN 400
WAKA 500	12045050	75	70	165	12.7	19.03	95.48	76.2	M20	5.83	IL-C 500 IL-C 630 IL-C 800 IN-C 500 IN-C 630 IN-C 800

* Jaws pointed



SMW-AUTOBLOK
94, 108, 184

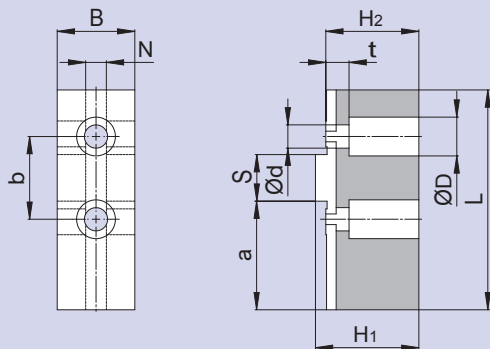


SMW-AUTOBLOK
74

Soft special jaws to customer request

- Simply copy and fax to: +49 (0) 7542 3886
- Download from www.smw-autoblok.de

Soft top jaw-blanks



Dimensions

a	mm	H2		mm
b	mm	L		mm
B	mm	N		mm
d	mm	S		mm
D	mm	t		mm
H1	mm			mm

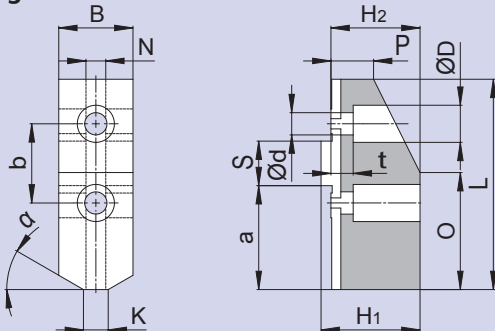
Material

Quantity in pieces

Chuck manufacturer

Chuck type + size

Soft top jaw-blanks weight reduced



Dimensions

a	mm	N		mm
b	mm	S		mm
B	mm	t		mm
d	mm	K		mm
D	mm	O		mm
H1	mm	P		mm
H2	mm	α		Grad
L	mm			mm

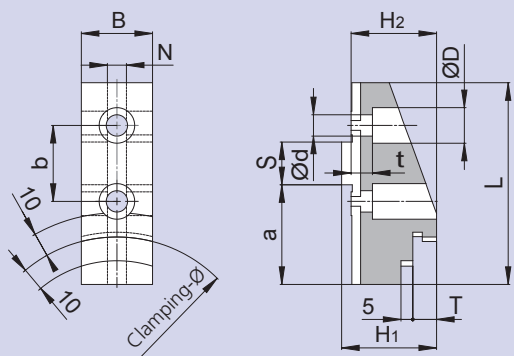
Material

Quantity in pieces

Chuck manufacturer

Chuck type + size

Soft top jaws for external clamping



Dimensions

a	mm	L		mm
b	mm	N		mm
B	mm	S		mm
d	mm	t		mm
D	mm	T		mm
H1	mm	Clamping-Ø		mm
H2	mm	Workpiece-Ø		mm

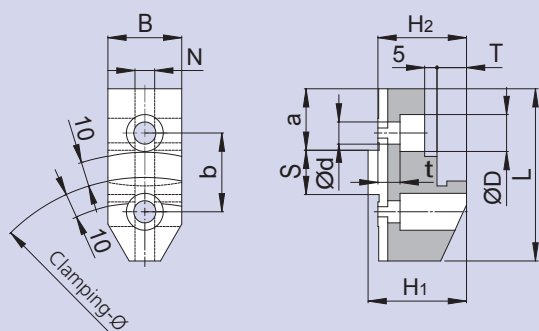
Material

Quantity in pieces

Chuck manufacturer

Chuck type + size

Soft top jaws for internal clamping



Dimensions

a	mm	L		mm
b	mm	N		mm
B	mm	S		mm
d	mm	t		mm
D	mm	T		mm
H1	mm	Clamping-Ø		mm
H2	mm	Workpiece-Ø		mm

Material

Quantity in pieces

Chuck manufacturer

Chuck type + size