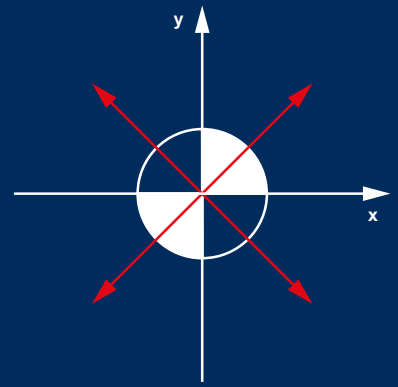


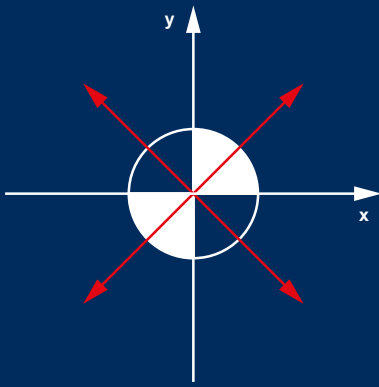
# PLUS5

MECHANICAL ZERO POINT SYSTEM



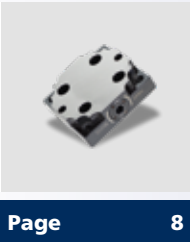
Working example





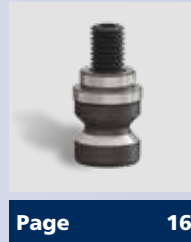
# PLUS5

MECHANICAL ZERO POINT SYSTEM



**PLUS 5 - 52**  
Plus 5 - Mechanical Zero Point system

Page 8



**PLUS 5 - 52/96**  
Clamping pins

Page 16



**PLUS 5 - 96**  
Plus 5 - Mechanical Zero Point system

Page 9



**PLUS 5 - 52/96**  
Matsuura pallet interface plate

Page 18



**PLUS 5 ALL IN ONE 52/96**  
Plus 5 Plus 5 All in One Mechanical Zero Point system

Page 10



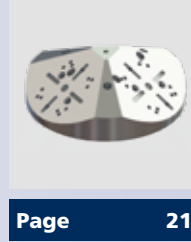
**PLUS 5 - 52/96**  
Plates

Page 19



**PLUS 5 INDEX - 96**  
Plus 5 Index- Mechanical Zero Point system

Page 11



**PLUS 5 - 52/96**  
Alu pyramid

Page 21



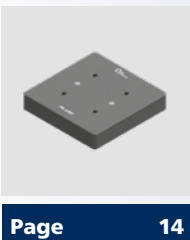
**PLUS 5 - 96**  
Clamping plate

Page 12



**PLUS 5 - 52/96**  
Tombstone

Page 22



**PLUS 5 - 52/96**  
Reduction plates

Page 14

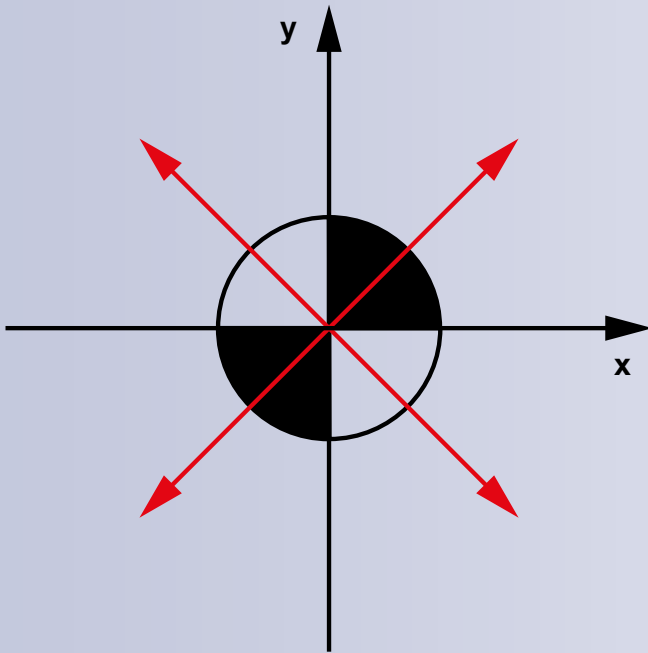
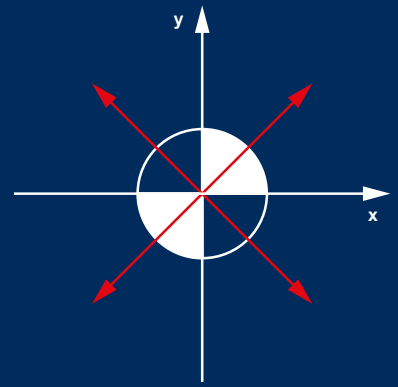


**PLUS 5 - 52/96**  
Accessories

Page 24

# PLUS5

MECHANICAL ZERO POINT SYSTEM



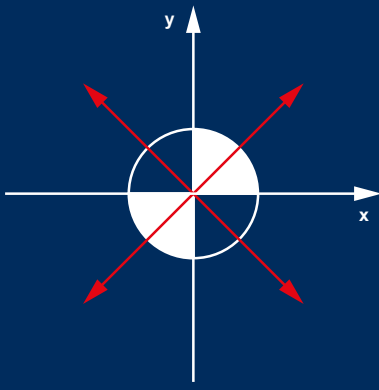
## PLUS5

- ▶ The symbol on the side represents the vectorial force transmission system that acts by binding the pins uniformly and in all directions.



Watch the video

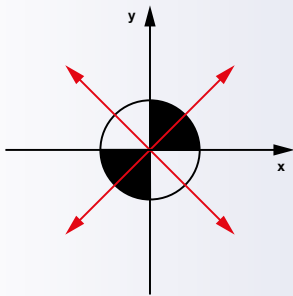




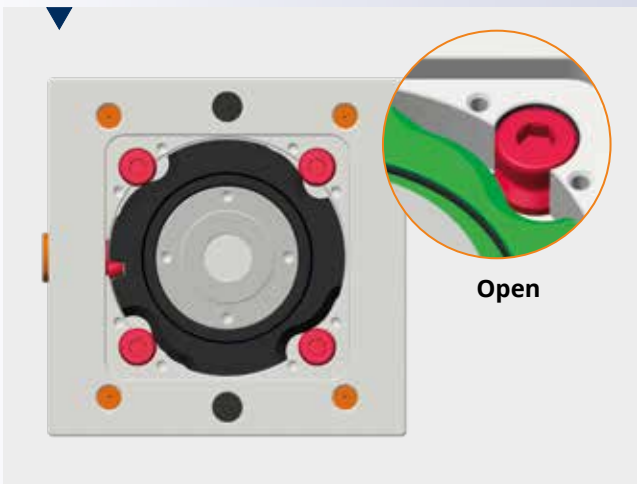
# PLUS5

MECHANICAL ZERO POINT SYSTEM

## PLUS5 BENEFITS

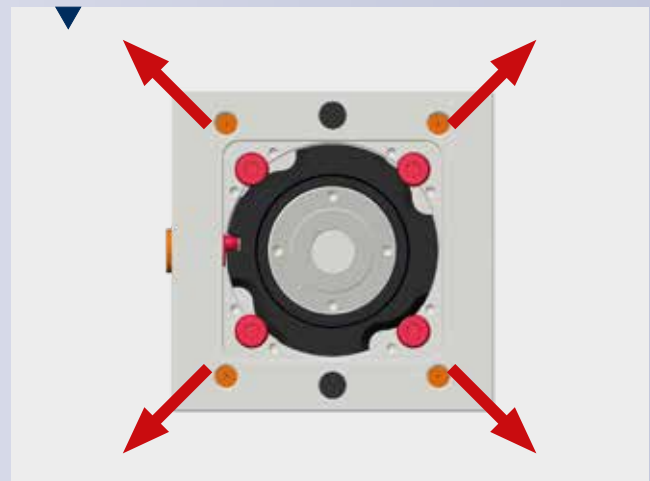
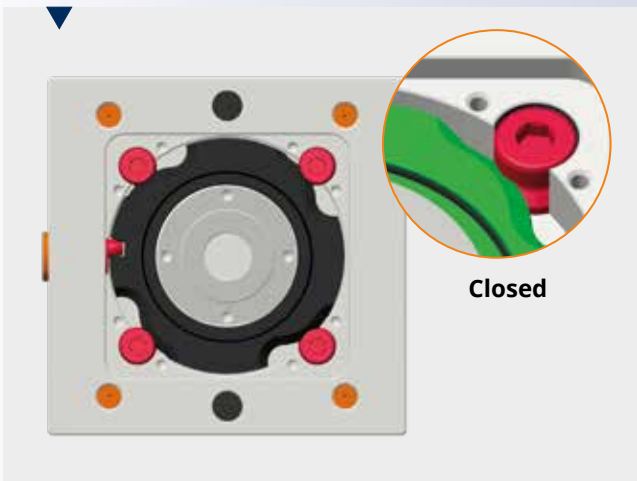


- ▶ Locking and unlocking system of the pins with a rotation of only 180 degrees
- ▶ Does not require a torque wrench. The limit switch determines locking / unlocking
- ▶ Repeatability < 0.005mm
- ▶ Pull down force 7 kN for Plus 5 52 and 8 kN for Plus 5 96
- ▶ Holding force 40 kN for Plus 5 52 and 80 kN for Plus 5 96



The mechanism designed for locking the pins consists of a cam which is operated by an eccentric pin.

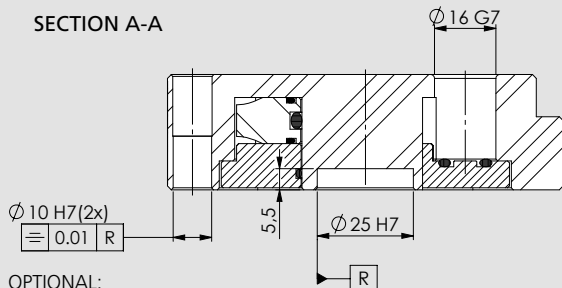
The system guarantees high performance in terms of precision and clamping force. This is due in particular to the fact that the cam locks the 4 pins outwards at the same time.



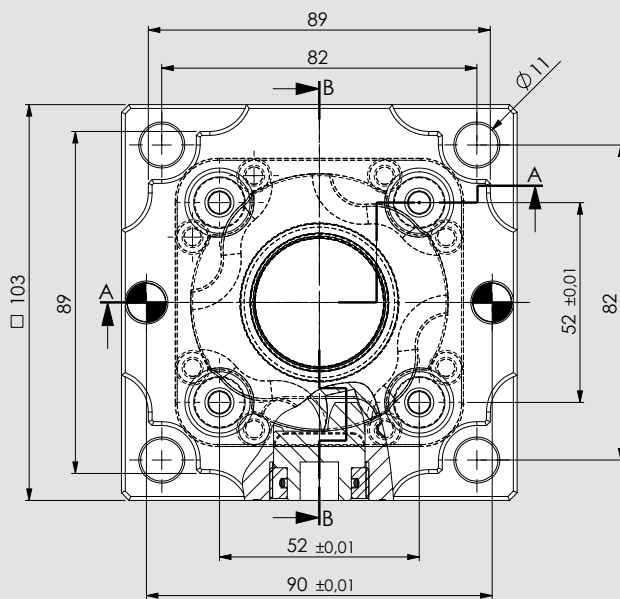
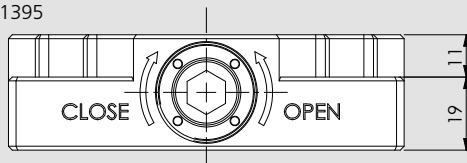


- Complete with wrench 10mm
- Pins not included

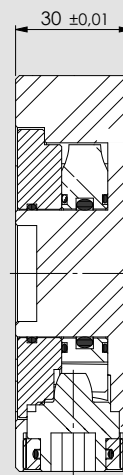
SECTION A-A



OPTIONAL:  
Multislot positioning key  
58341393 / 58341395



SECTION B-B



Subject to technical changes.

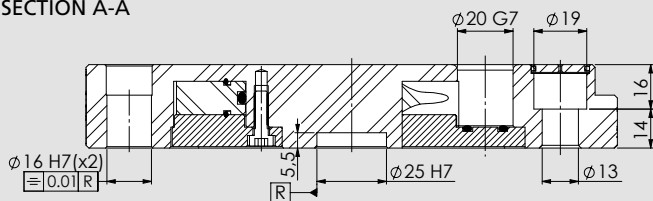
Id. No.  
46240101

Weight (Kg)  
2

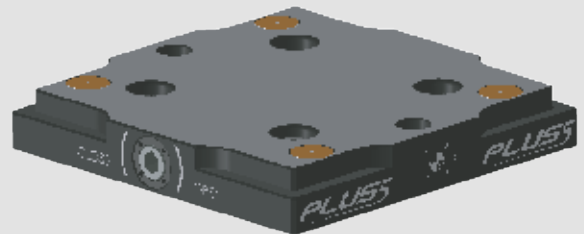
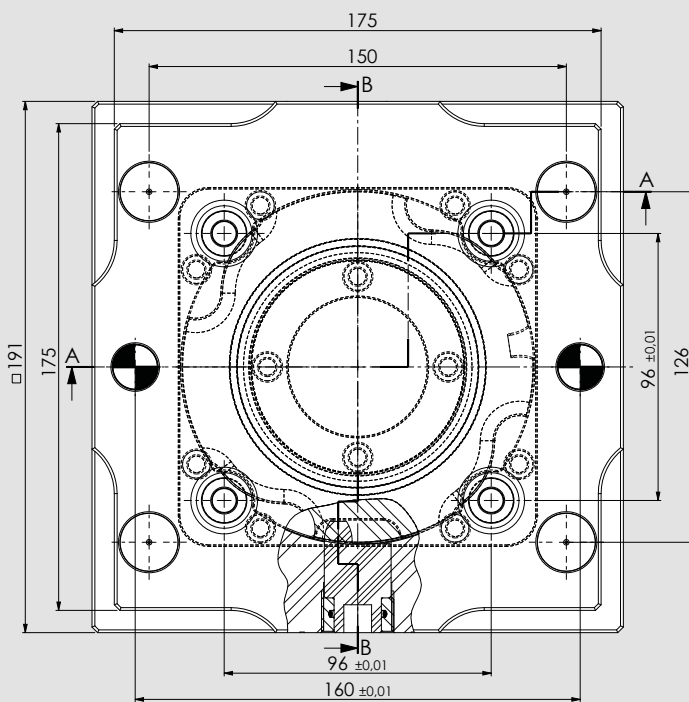
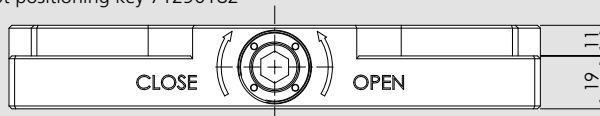


- Complete with wrench 10mm
- Pins not included

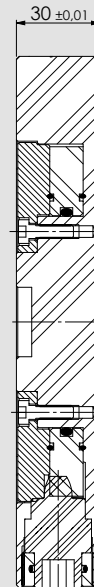
SECTION A-A



OPTIONAL:  
Multislot positioning key 71290182



SECTION B-B



Subject to technical changes.

Id. No.  
46240102

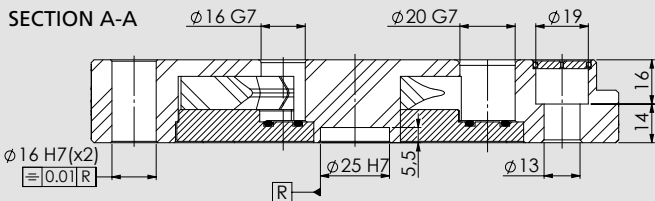
Weight (Kg)  
7,5

# PLUS 5 All in One 52/96

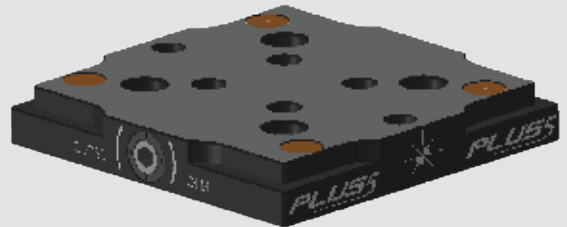
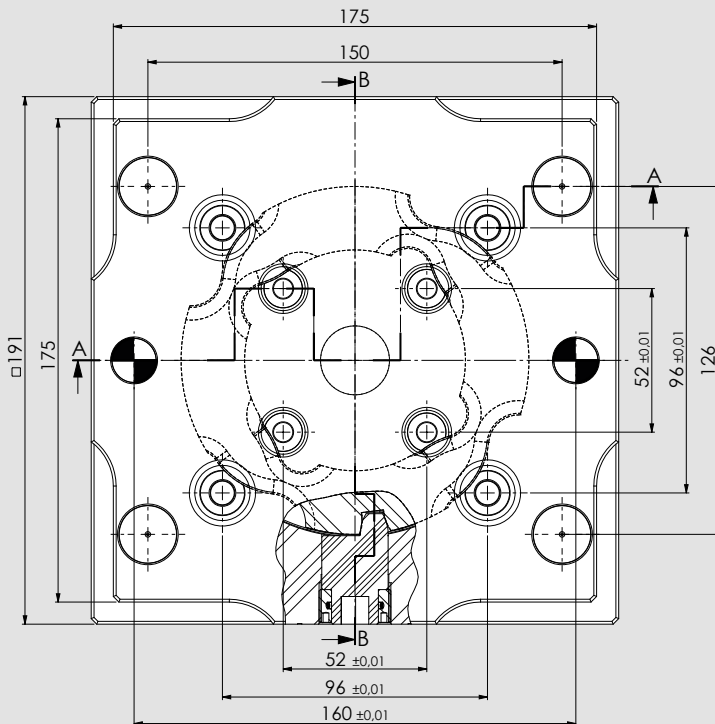
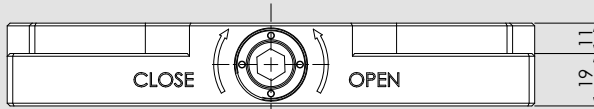
PLUS 5 All in One - Mechanical Zero Point system



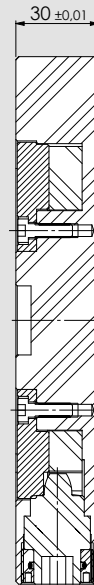
- Complete with:
  - wrench 10mm
  - protection caps (Plus 5 52 / 96)
- Pins not included



OPTIONAL:  
Multislot positioning key 71290182



SECTION B-B



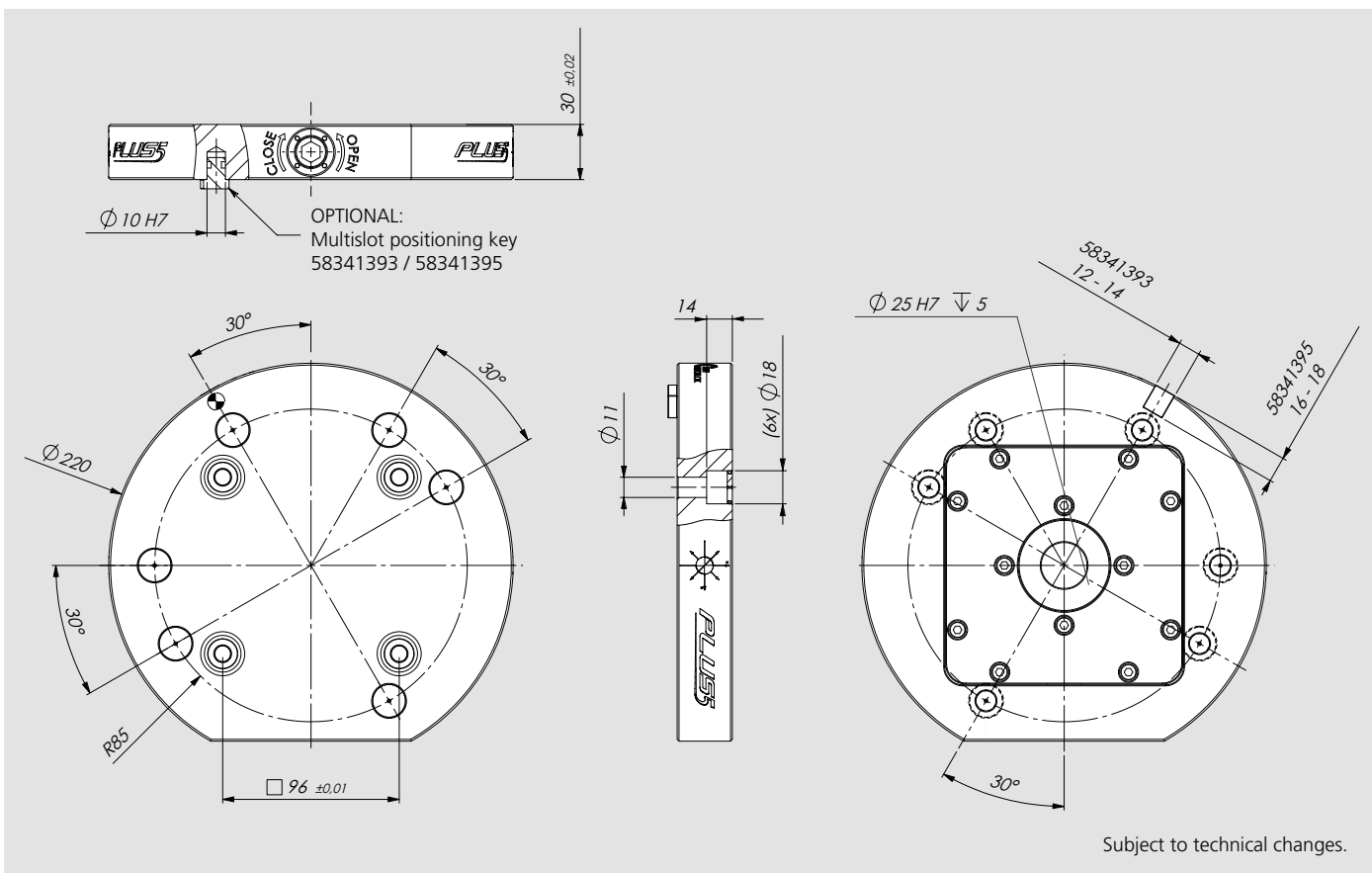
Subject to technical changes.

Id. No.  
46240103

Weight (Kg)  
7,5

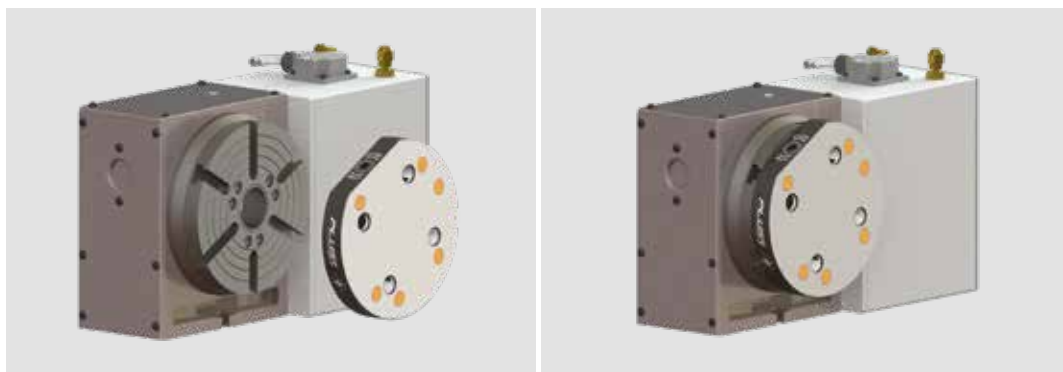


- Complete with wrench 10mm
- Pins not included



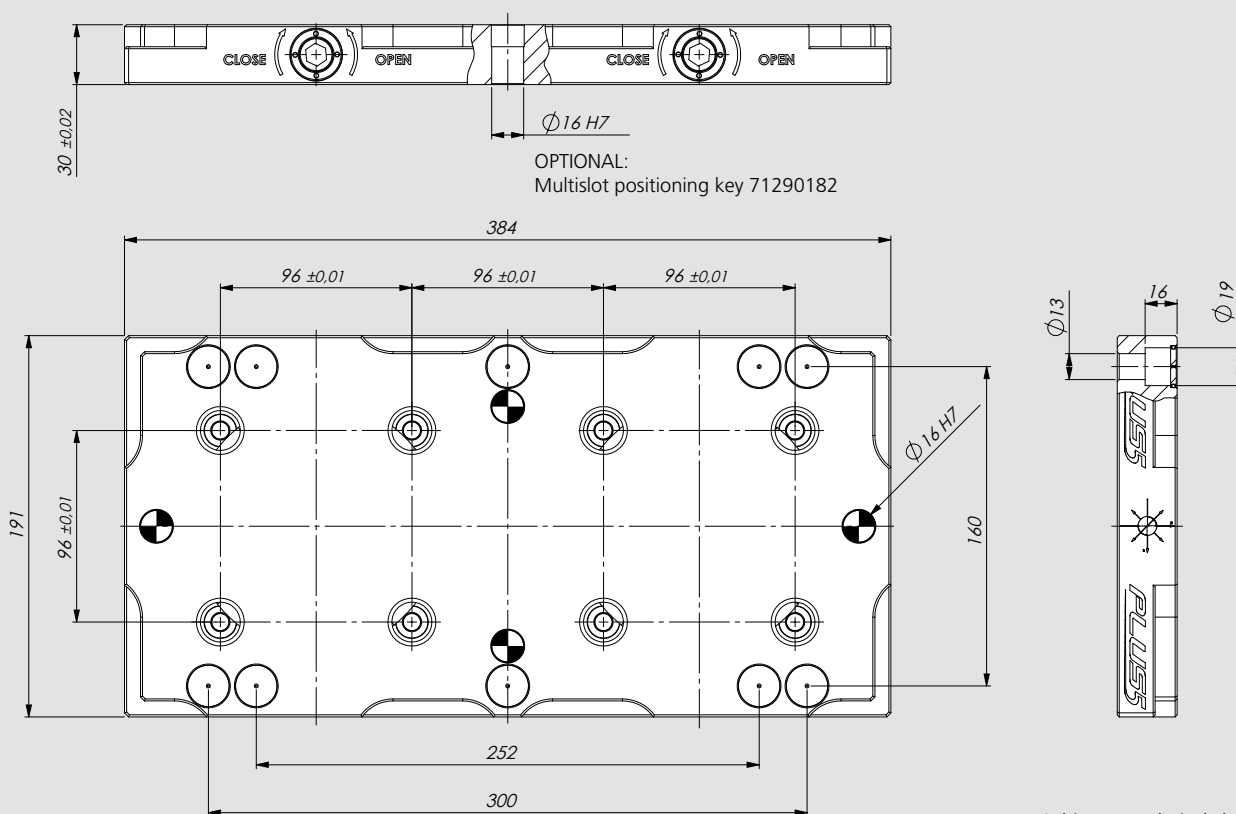
Id. No.	Weight (Kg)
46240112	8

Working example





- Complete with:
  - wrench 10mm
  - n. 2 safety plates (Id. No. 46248215)
- Pins not included



Subject to technical changes.

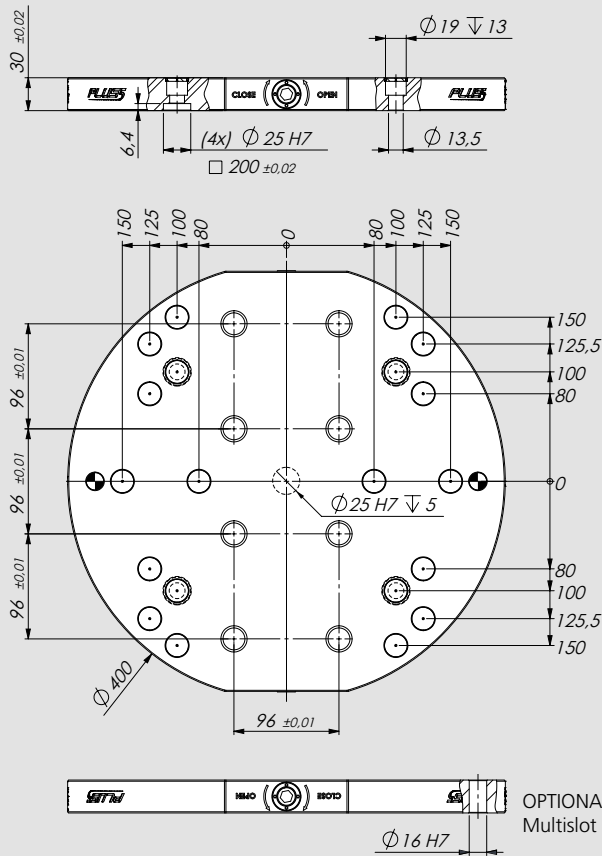
Id. No.	Weight (Kg)
46248210	16

### Working example





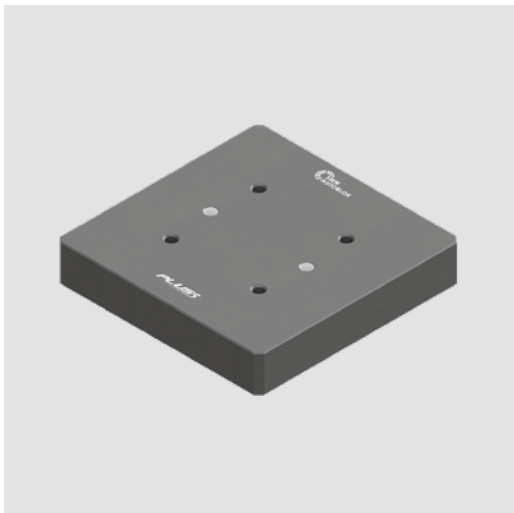
- Complete with:
  - wrench 10mm
  - n. 2 safety plates (Id. No. 46248215)
- Pins not included



Id. No.	Weight (Kg)
46248220	27

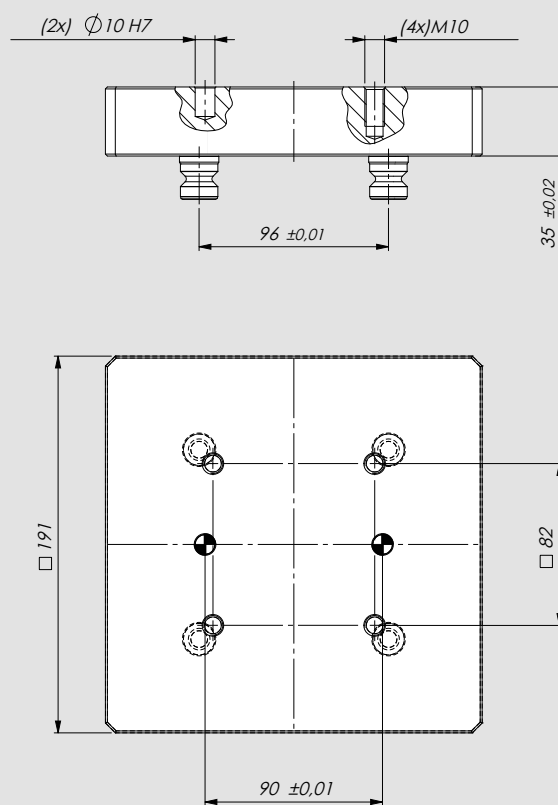
Working example





Complete with

- Fixing screws and dowel pins for Plus 5 52
- Set of 4 Plus 5 96 pins

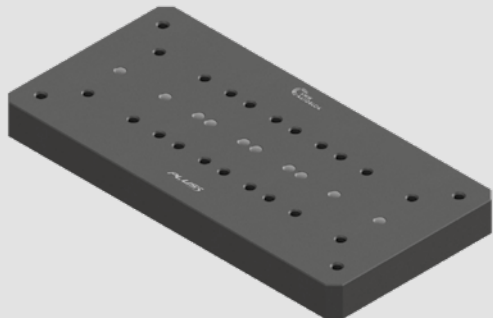


Subject to technical changes.

Id. No.	Weight (Kg)
46242210	10

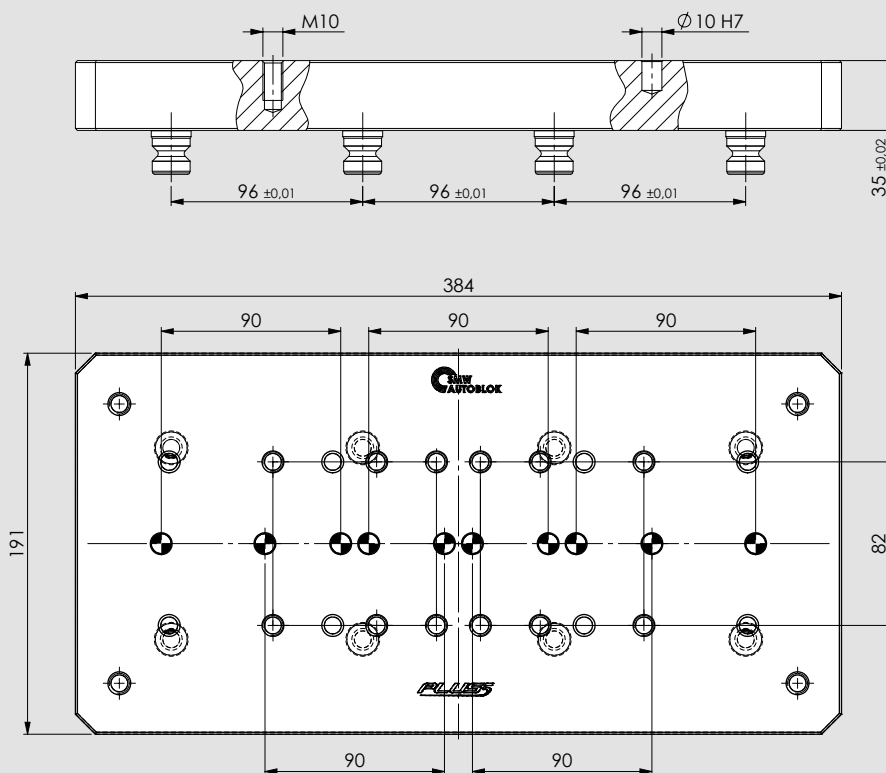
### Working example





Complete with

- Fixing screws and dowel pins for Plus 5 52
- n. 2 Set of 4 Plus 5 96 pins



Subject to technical changes.

Id. No.	Weight (Kg)
46242220	21

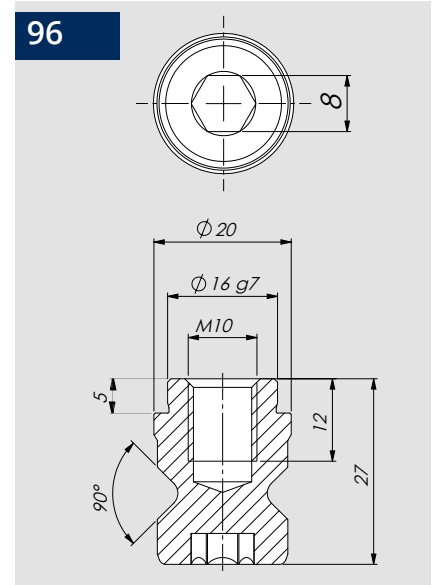
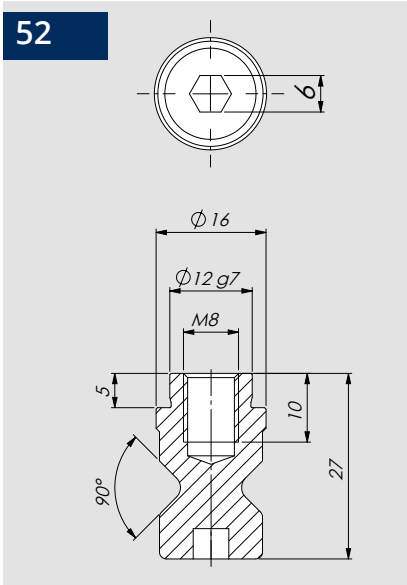
Working example



### Clamping pins



- Complete of grub screw M8 for Plus5 52 and M10 for Plus5 96



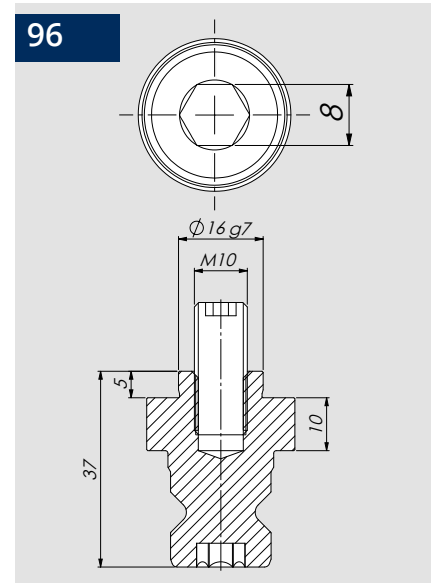
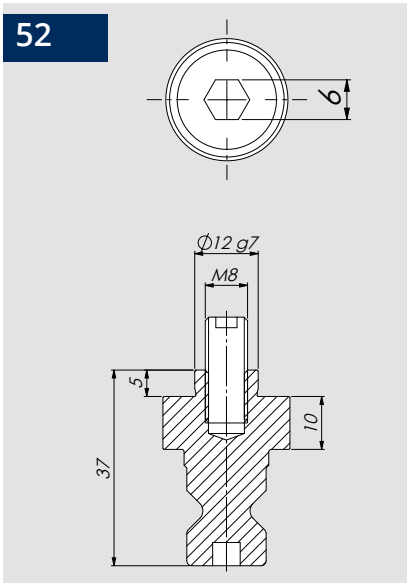
Description	Id. No.	Weight (Kg)
Set of 4 pins for PL5 - 52	46240214	0,12
Set of 4 pins for PL5 - 96	46240224	0,20
Pin for PL5 - 52	46240210	0,03
Pin for PL5 - 96	46240220	0,05

The dimensions of the pin identify compatibility with other pins on the market

### Raised clamping pins

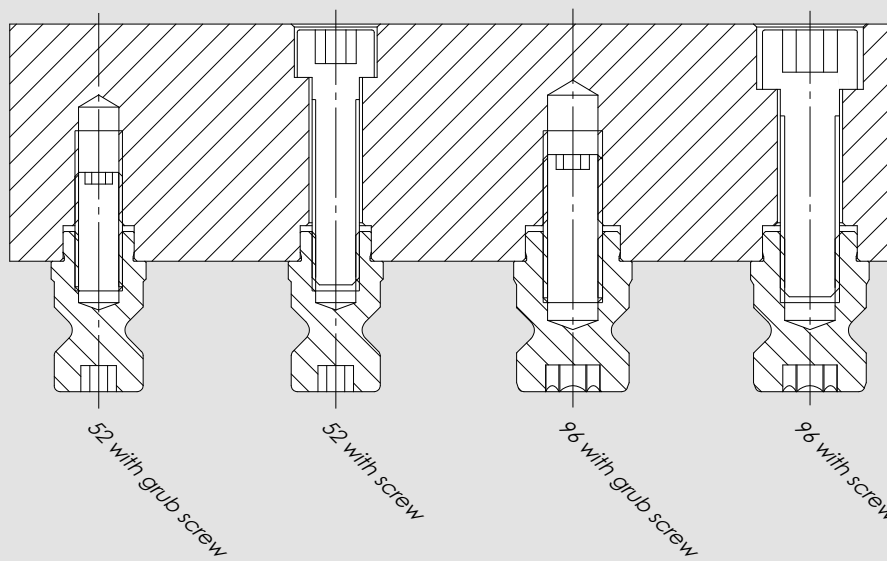
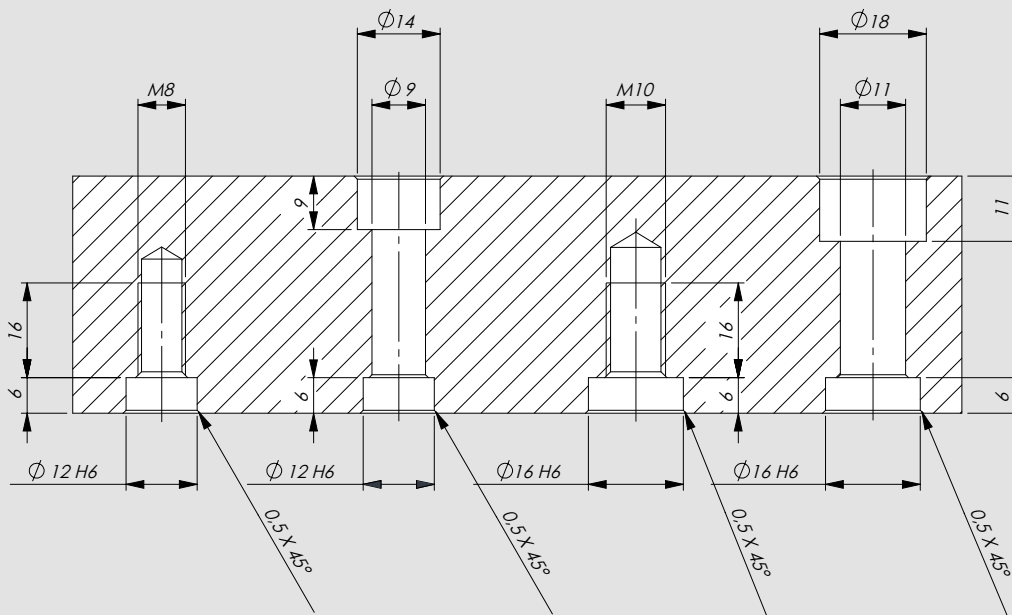
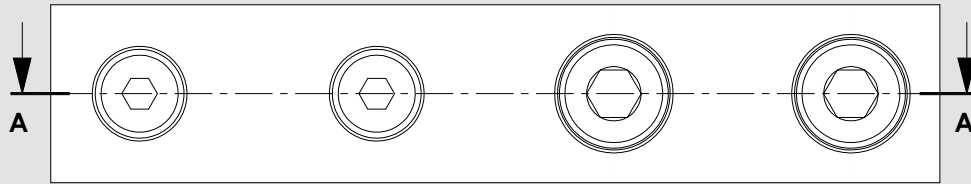


- Complete of grub screw M8 for Plus5 52 and M10 for Plus5 96



Description	Id. No.	Weight (Kg)
Set of 4 raised pins for PL5 - 52	46240234	0,12
Set of 4 raised pins for PL5 - 96	46240244	0,20
Raised pin for PL5 - 52	46240230	0,03
Raised pin for PL5 - 96	46240240	0,05

The dimensions of the pin identify compatibility with other pins on the market

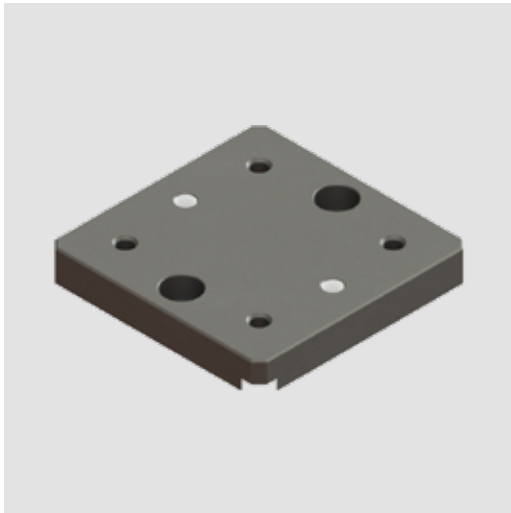


52 with grub screw

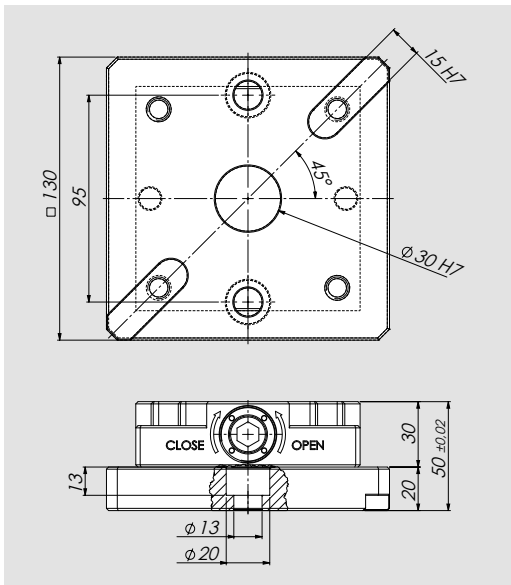
52 with screw

96 with grub screw

96 with screw



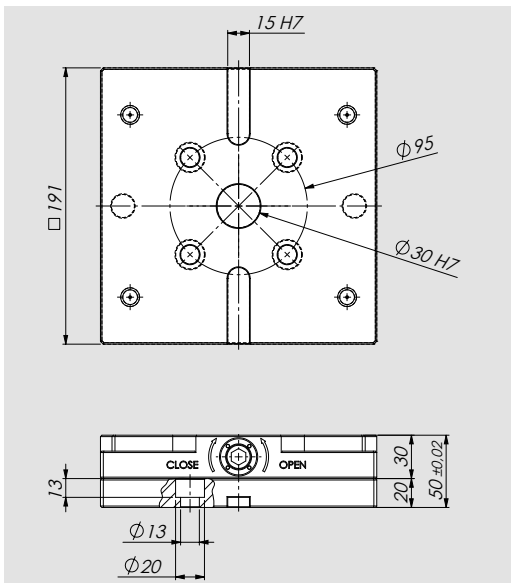
### Working examples



### PLUS 5 - 52 Matsuura pallet interface plate

Complete with screws and dowel pins  
Plus 5 not included

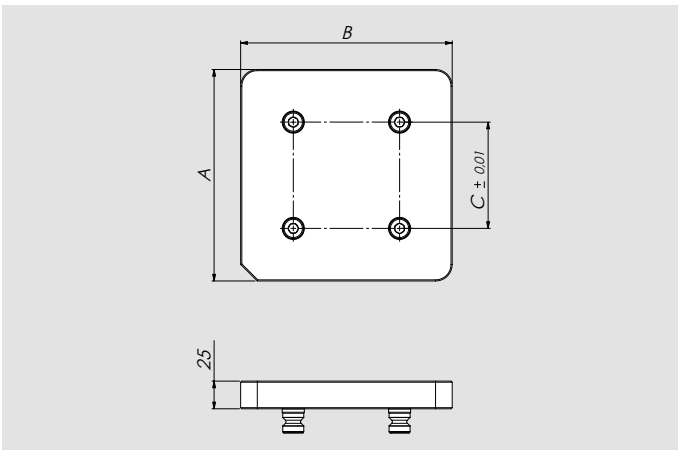
Id. No.	Weight (Kg)
46242110	2,5



### PLUS 5 - 96 Matsuura pallet interface plate

Complete with screws and dowel pins  
Plus 5 not included

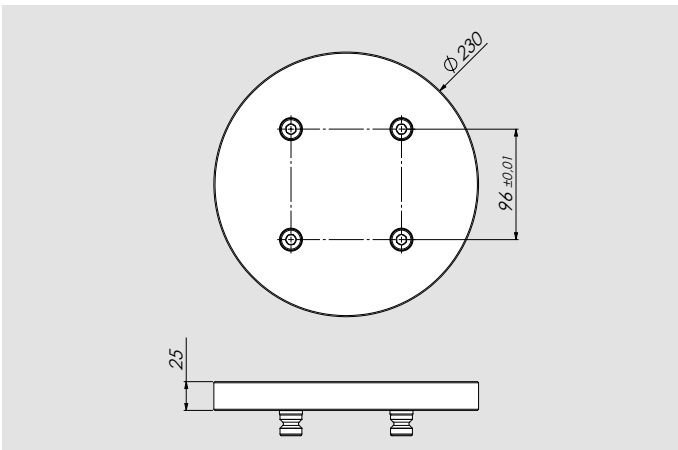
Id. No.	Weight (Kg)
46242120	5,5



**PLUS 5 - 52 / 96**  
**Smooth plate**

Complete with set of 4 pins

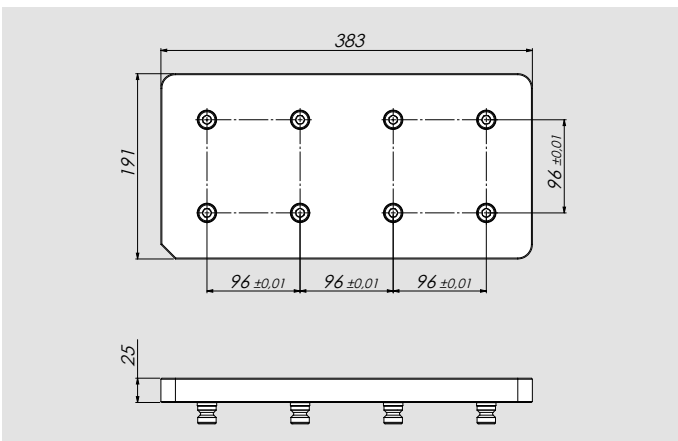
Id. No.	Type	A	B	C	Weight
46247710	52	103	103	52	2 Kg
46247720	96	191	191	96	7 Kg



**PLUS 5 - 96**  
**Smooth round plate**

Complete with set of 4 pins

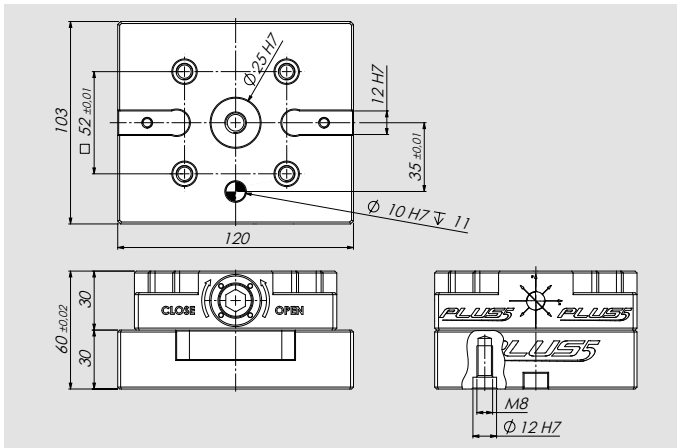
Id. No.	Weight (Kg)
46247730	8



**PLUS 5 - 96**  
**Double smooth plate**

Complete with n. 2 set of 4 pins Plus 5 96

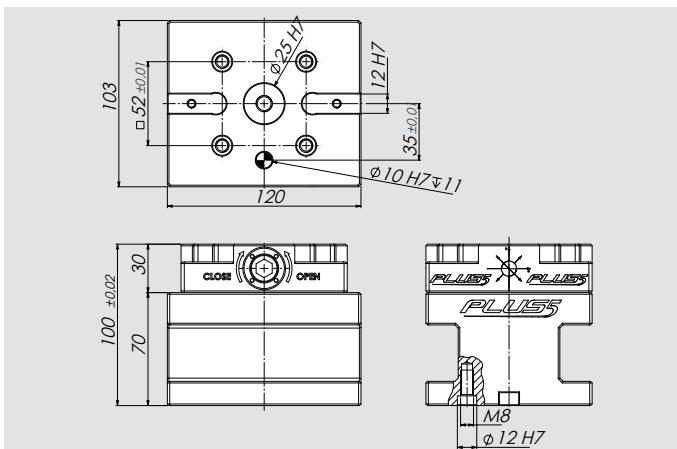
Id. No.	Weight (Kg)
46247740	15



### RISER PLUS 5 - 52 (H tot = 60)

Complete with screws and dowel pins  
Plus 5 not included

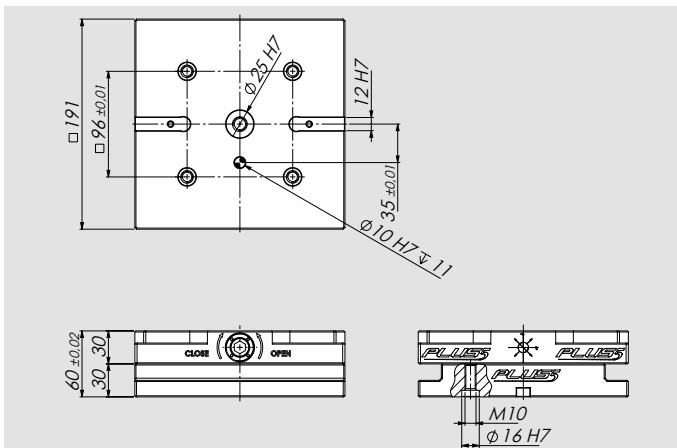
Id. No.	Weight (Kg)
46242018	2



### RISER PLUS 5 - 52 (H tot = 100)

Complete with screws and dowel pins  
Plus 5 not included

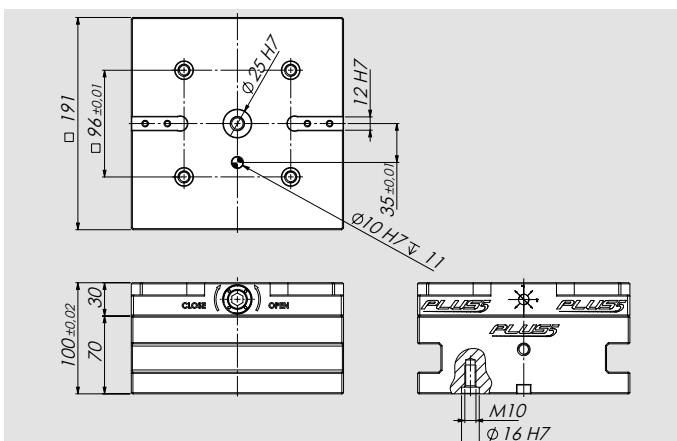
Id. No.	Weight (Kg)
46242019	5



### RISER PLUS 5 - 96 (H tot = 60)

Complete with screws and dowel pins  
Plus 5 not included

Id. No.	Weight (Kg)
46242028	7



### RISER PLUS 5 - 96 (H tot = 100)

Complete with screws and dowel pins  
Plus 5 not included

Id. No.	Weight (Kg)
46242029	18



**Applications / Customer Benefits**

- Ideal for 5 axis machines
- Compact design
- Possibility to be mounted directly on machine tools with radial slots at 45 / 60 degrees
- Possibility to be mounted directly on single plate or DUO APS (pitch 200/250mm) and Plus 5

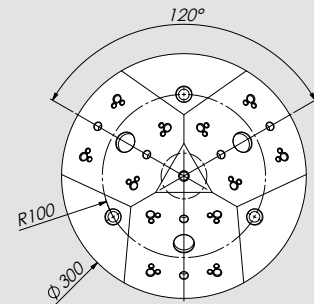
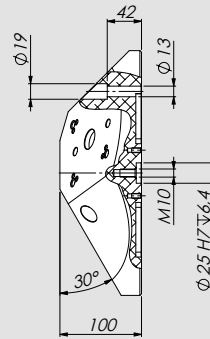
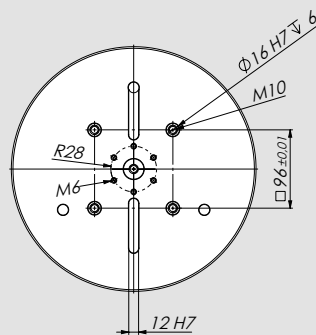
**Technical features**

- Material: ALU

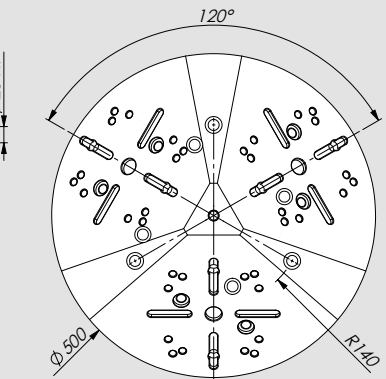
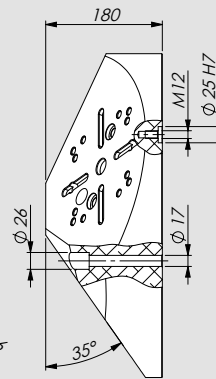
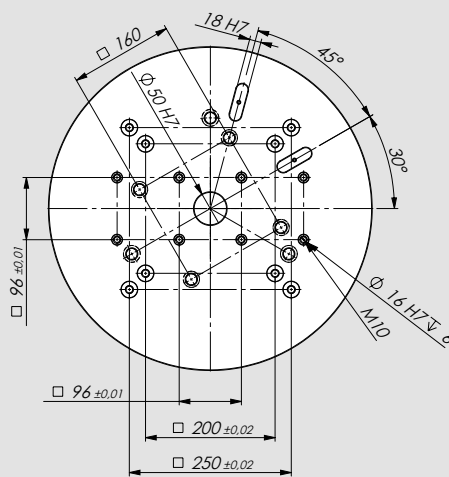
**Standard equipment**

Positioning keys and screws for IMG  
Pins and screws for Plus 5

IMG 88 - 130  
PLUS 5 - 52

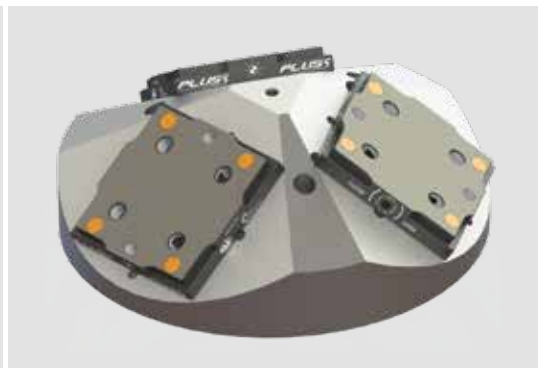


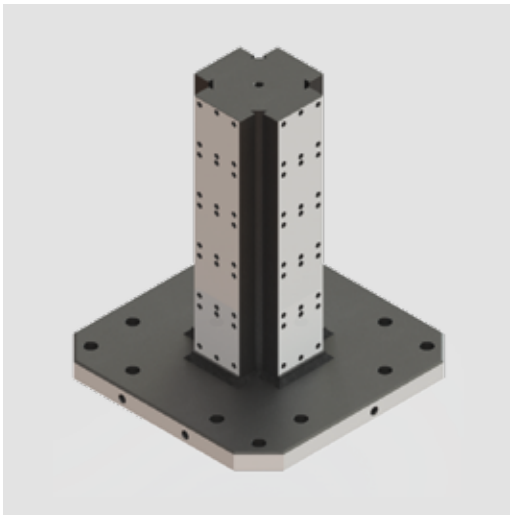
IMG 125 - 180  
IMG 125 - 220  
PLUS 5 - 96



Type	Id. No.	Weight
For IMG 88-130 and PLUS 5 - 52	58343210	12 Kg
For IMG 125-180, IMG 125-220 and PLUS 5 - 96	58353210	55 Kg

**Working example**





## Applications / Customer Benefits

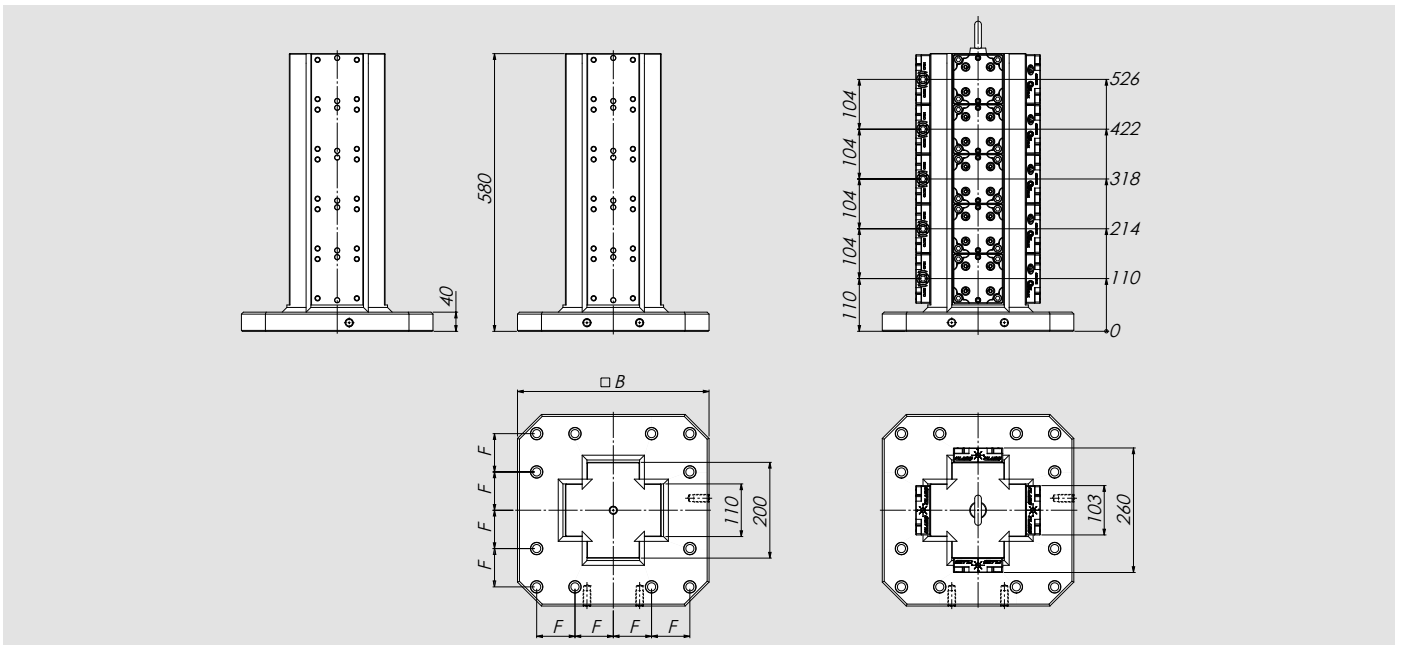
- Ideal for horizontal machines
- Compact design

## Technical features

- Material: steel

## Standard equipment

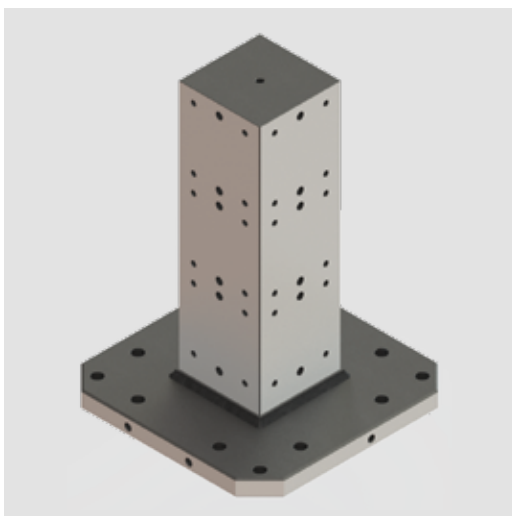
Steel tombstone complete with fixing screws and dowel pins



Type	Id. No.	B	F	Weight	Weight (only tombstone)
Tombstone Plus 5 - 52 - Base 400	46247110	400	80	162 Kg	162 Kg
Tombstone Plus 5 - 52 - Base 500	46247120	500	100	190 Kg	190 Kg

## Working example





**Applications / Customer Benefits**

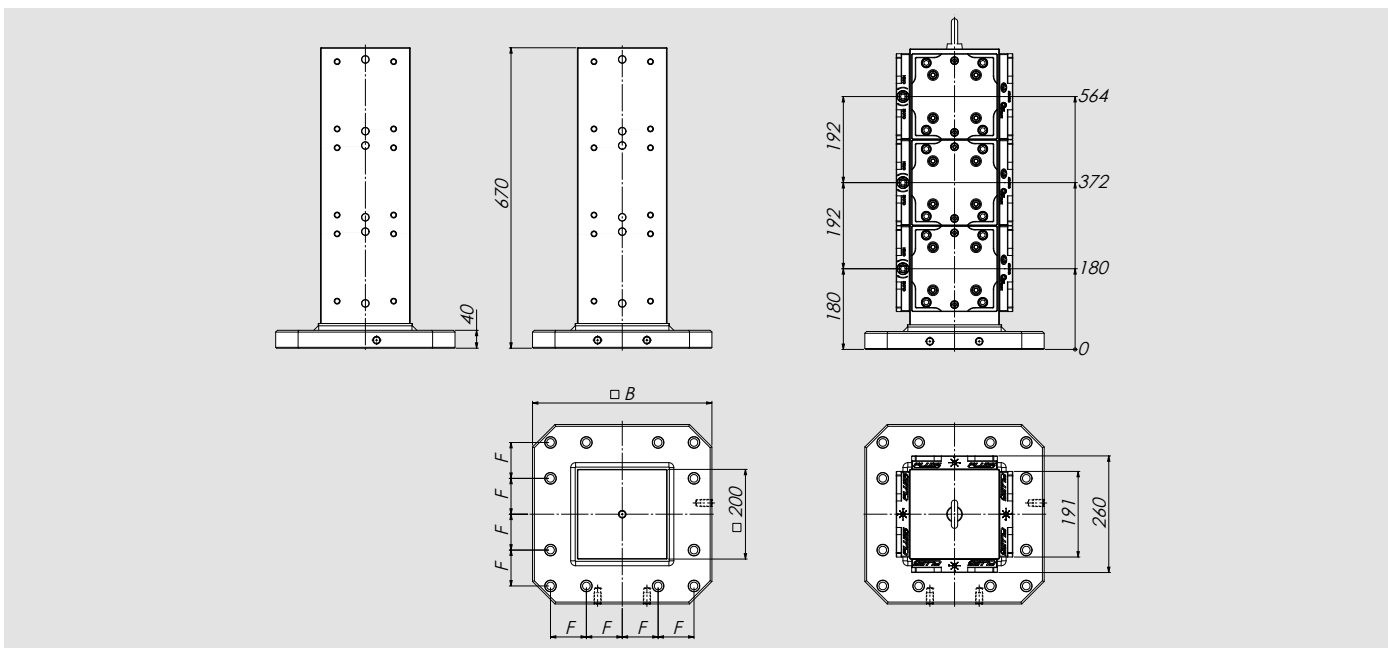
- Ideal for horizontal machines
- Compact design

**Technical features**

- Material: steel

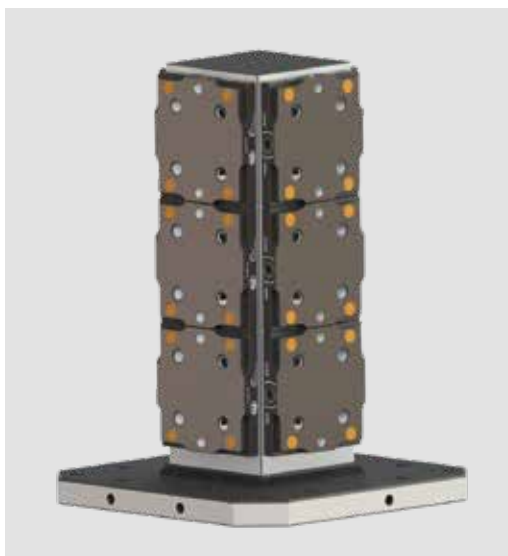
**Standard equipment**

Steel tombstone complete with fixing screws and dowel pins



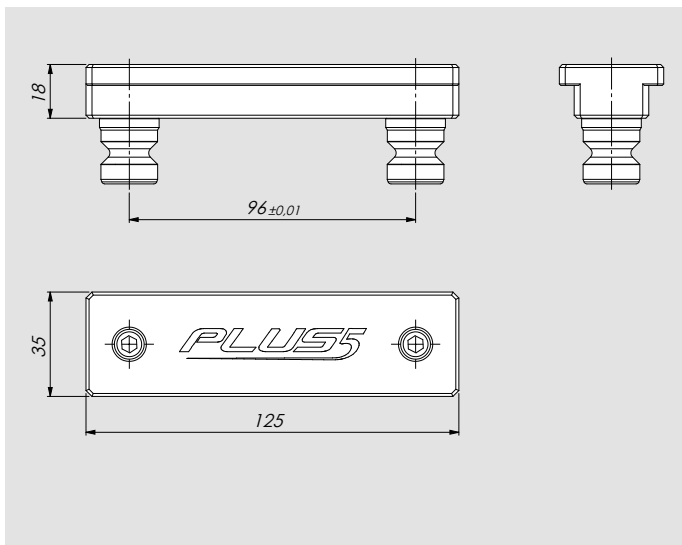
Type	Id. No.	B	F	Weight	Weight (only tombstone)
Tombstone Plus 5 - 96 - Base 400	46247210	400	80	253 Kg	253 Kg
Tombstone Plus 5 - 96 - Base 500	46247220	500	100	280 Kg	280 Kg

**Working example**



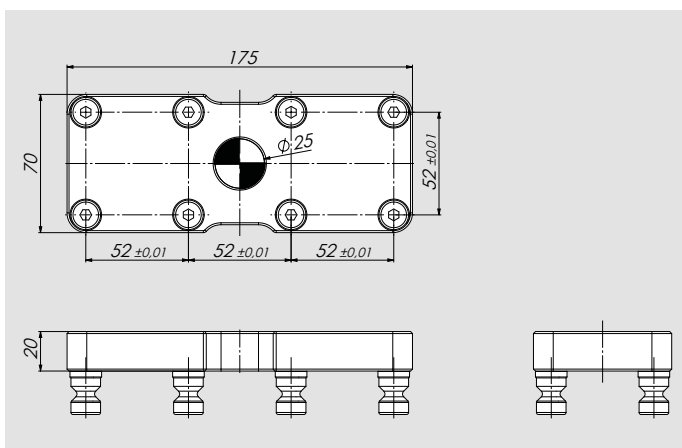
### PLUS 5 - 96

Safety plate for locking on two different modules. Complete with pins 96



### PLUS 5 - 52

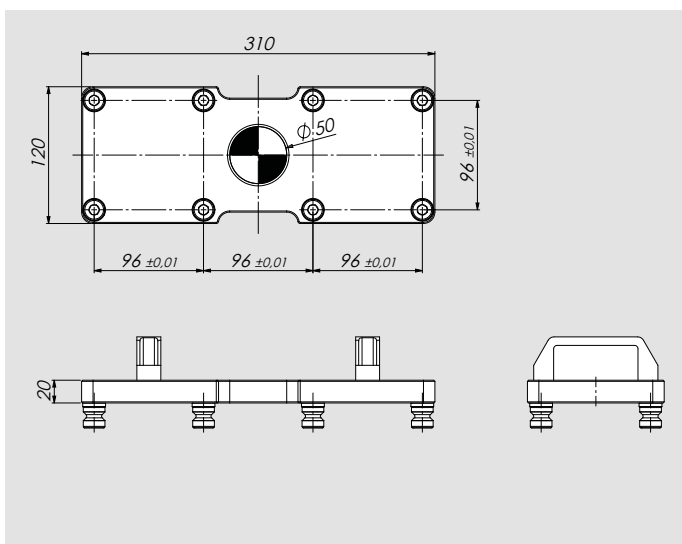
Alignment plate complete with pins 52



Id. No.	Weight (Kg)
46240410	2

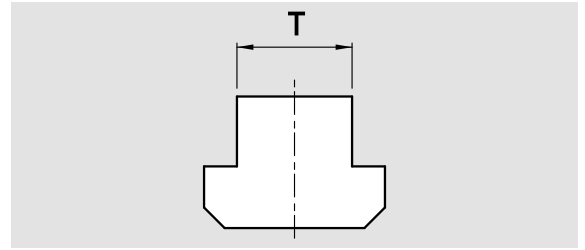
### PLUS 5 - 96

Alignment plate complete with pins 96

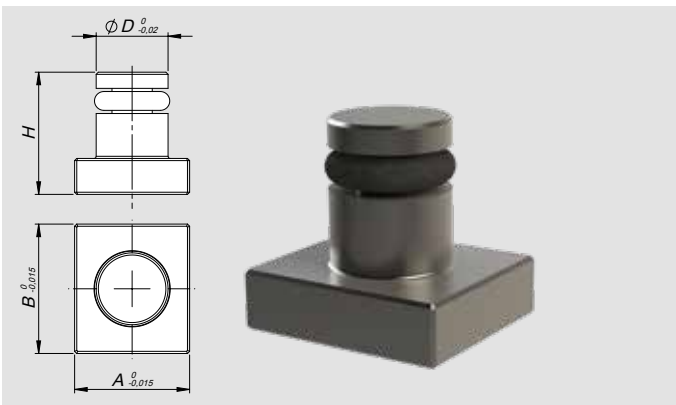


**PLUS 5 - 52/96**

Pair of Clamps



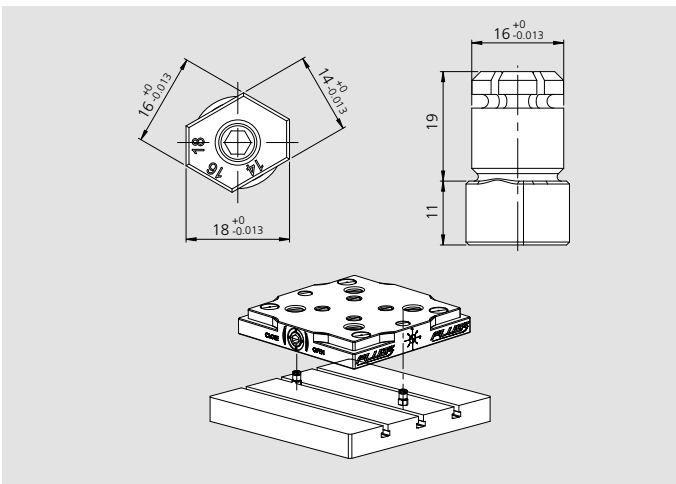
Type	mm 12	mm 14	mm 16	mm 18	mm 20	mm 22
PLUS 5 52/96	58022792	58022793	58022794	58022795	58022796	58022797



**Key only for:**

- Plus 5 52
- Plus 5 Index 96

Id.No.	A	B	H	D
58341393	12	14	17	10
58341395	16	18	17	10



**Multi-Slot screw for Plus 5 96**

Type	Id. No.
Multi-Slot 14 / 16 / 18	71290182



**PLUS 5 - 52/96**  
Steel protection cap

Type	Id. No.	Weight (Kg)
Set 4 caps Plus 5 52	46240314	0,08
Set 4 caps Plus 5 96	46240324	0,16
Protection cap Plus 5 52	46240310	0,02
Protection cap Plus 5 96	46240320	0,04