

TWIN VISES

Range of products



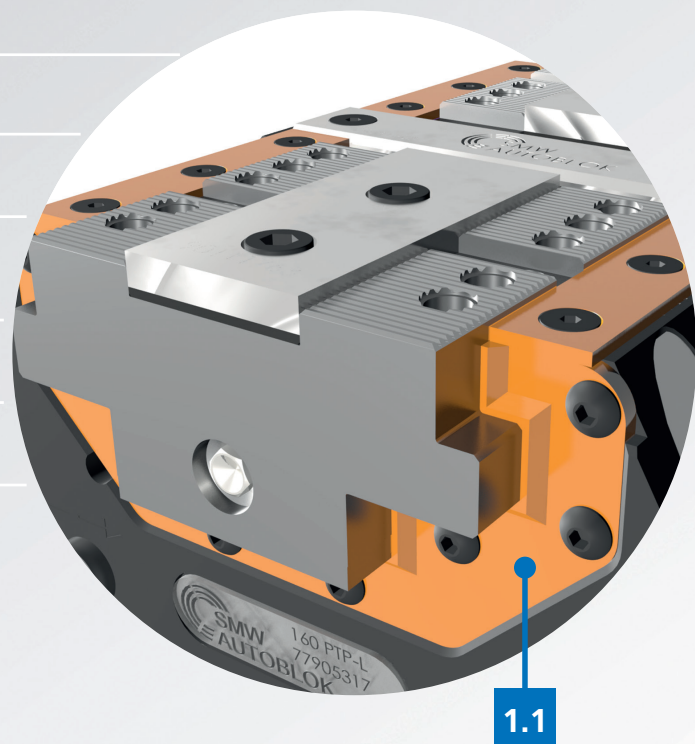
Industry 4.0
Product



1 PT - PROTECTED TWIN VISES

SIZES AVAILABLE 100-125-160-200-250

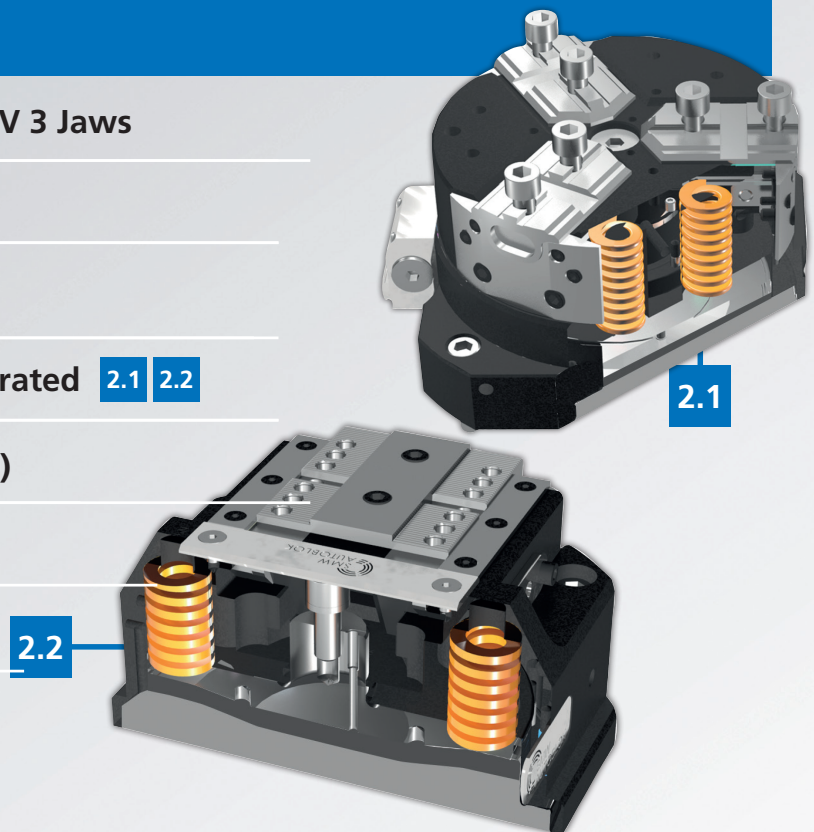
- ▶ Pneumatic and Hydraulic Version
- ▶ Pneumatic Valve (optional)
- ▶ Air Sensing
- ▶ Master jaws guide protected against swarf and chips **1.1**
- ▶ Normal Stroke
- ▶ Long Stroke
- ▶ Fixed Jaw



2 STV - SPRING AND AIR OPERATED TWIN VISES

SIZES AVAILABLE 180-225

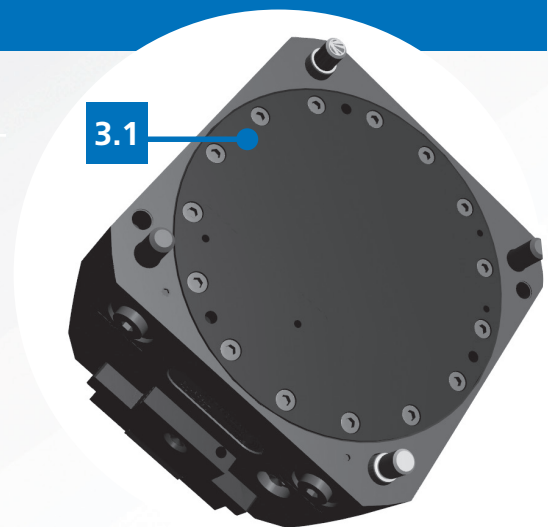
- ▶ STV 2 Jaws (also 125) and STV 3 Jaws
- ▶ Air Sensing
- ▶ Master jaws guide protected against swarf and chips
- ▶ Spring Clamped and Air Operated **2.1** **2.2**
- ▶ Safety Valve SAB-1 (optional)
- ▶ Pneumatic Valve (optional)
- ▶ Normal stroke **2.2**
- ▶ Long stroke



3 TV - STANDARD TWIN VISES

SIZES AVAILABLE 100-160-200-250-315

- ▶ Pneumatic and Hydraulic Version
- ▶ Air Sensing **3.1**
- ▶ Stroke control Proximity (optional)
- ▶ Normal Stroke
- ▶ Long Stroke
- ▶ Fixed Jaw



4 RR - QUICK JAWS CHANGE

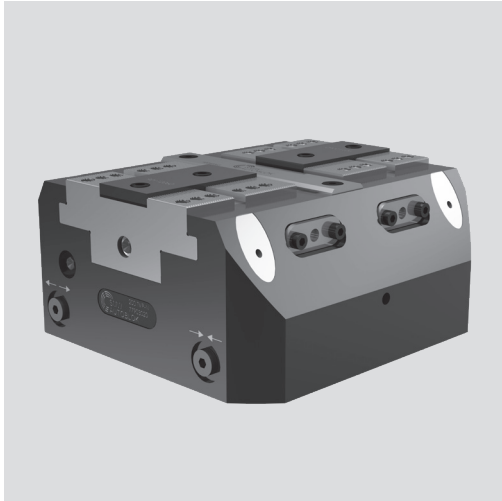
PROTECTED TWIN VISE with QUICK CHANGE

- ▶ Pneumatic and Hydraulic Version
- ▶ Long stroke
- ▶ OD and ID Clamping

TVP-N/TVP-L/TVP-F

PNEUMATIC TWIN VISE

- TVP-N: Normal stroke
- TVP-L: Long stroke
- TVP-F: One fixed jaw



Application/customer benefits

- Compact design
- Linear pressure adjustment
- Highest repeatability
- Highest rigidity

Technical features

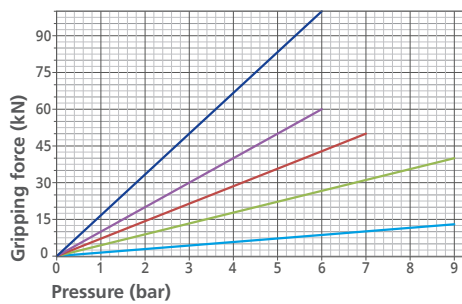
- H7 quality pilot bore (see p2 below)
- Housing and functional parts hardened for high precision and long life
- Ready for air purge
- Ready for central grease lubrication
- Master jaws with both tongue & groove and fine serration 1.5 mm x 60°
- OD and ID clamping
- Lubrication with SMW-AUTOBLOK K67 grease
- Stroke control via proximity switches (optional)

Standard equipment

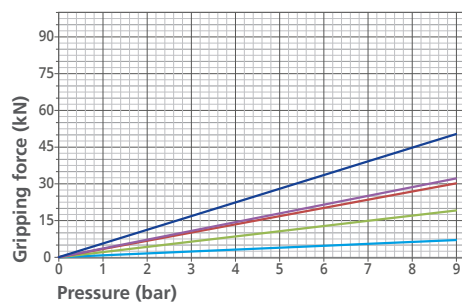
Self-centering vise without top jaws
All bolts and centering bushings included

Gripping force diagrams

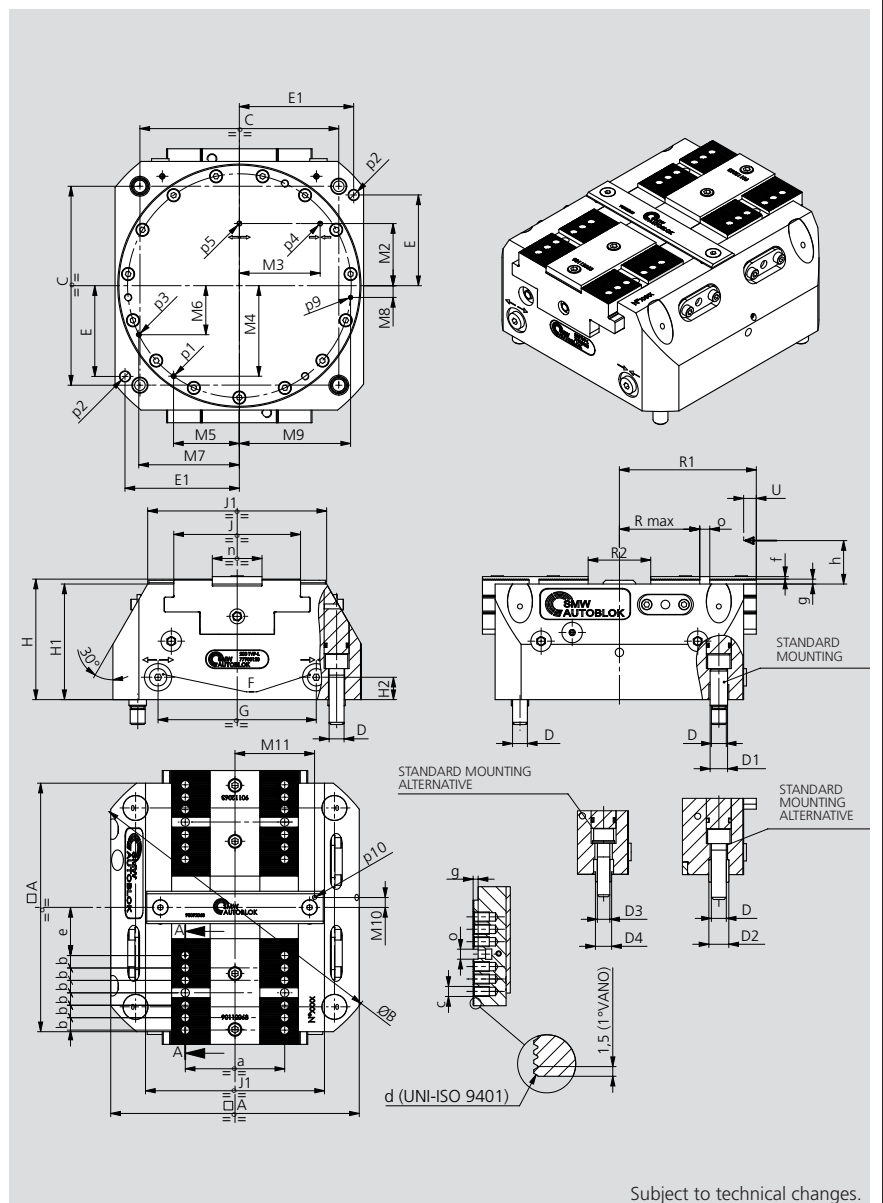
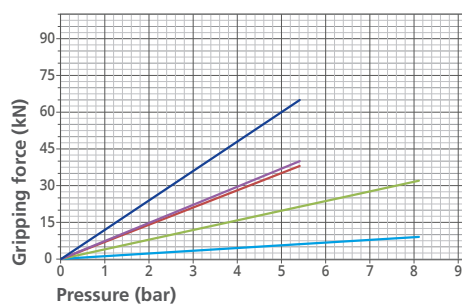
TVP-N 100 160 200 250 315



TVP-L 100 160 200 250 315



TVP-F 100 160 200 250 315



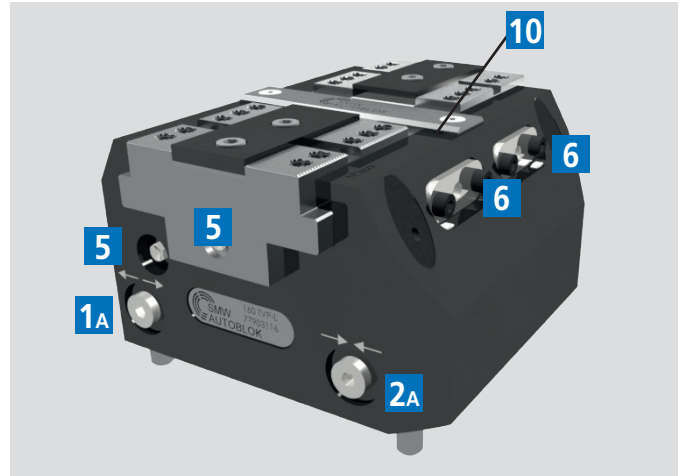
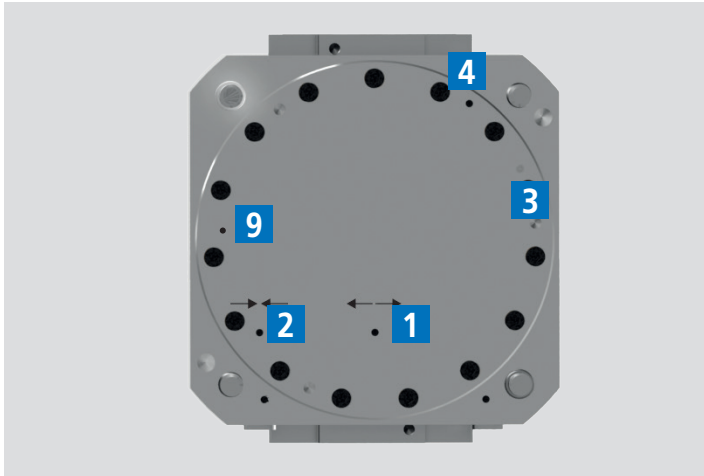
Subject to technical changes.

- TVP-N: Normal stroke
- TVP-L: Long stroke
- TVP-F: One fixed jaw

PNEUMATIC TWIN VISE

Type	Id. No.	Stroke type	Max. clamping force [kN]	Stroke / jaw [mm]	Operating pressure [bar]	Repeatability [mm]	Weight [kg]
100 TVP-N	77903010	NORMAL	13	2.6	9	0.01	4.3
100 TVP-L	77903110	LONG	7	6	9	0.01	4.3
100 TVP-F	77903210	FIXED JAW	9	6	9	0.01	4.3
160 TVP-N	77903016	NORMAL	40	3	9	0.01	13
160 TVP-L	77903116	LONG	19	8.4	9	0.01	13
160 TVP-F	77903216	FIXED JAW	32	8.4	9	0.01	13
200 TVP-N	77903020	NORMAL	50	4.2	7	0.02	23
200 TVP-L	77903120	LONG	30	10.2	9	0.02	23
200 TVP-F	77903220	FIXED JAW	38	10.2	6	0.02	23
250 TVP-N	77903025	NORMAL	60	5.3	6	0.02	39
250 TVP-L	77903125	LONG	32	15	9	0.02	39
250 TVP-F	77903225	FIXED JAW	40	15	6	0.02	39
315 TVP-N	77903031	NORMAL	100	6.4	6	0.03	84
315 TVP-L	77903131	LONG	50	18	9	0.03	84
315 TVP-F	77903231	FIXED JAW	65	18	6	0.03	84

TVP			100	160	200	250	315
	A	mm	100	160	200	250	315
	B(Ø)	mm	132	205	255	314	394
	C	mm	80	125	160	200	250
	D(Ø)	mm	M8x15	M10x18	M12x20	M12x20	M16x23
	D1 (Øf7)	mm	10x4	12x4	14x5	14x5	18x6
	D2 (Øjs7)	mm	11x4	13x6	16x6	16x6	21x6
	D3	mm	-	-	M10x18	-	-
	D4 (Øjs7)	mm	-	-	13x6	-	-
	E	mm	32	53	73	77	105
	E1	mm	45	73	92	115	140
	F	mm	M5	G1/8"	G1/8"	G1/8"	G1/8"
	G	mm	59.3	99	127.3	157	200.8
	H	mm	75.5	89.7	97	105	139
	H1	mm	72	86	93	100	133
	H2	mm	15	18	18	20	25
	J	mm	47	75	102	125	160
	J1	mm	72	108	144	180	230
	M2	mm	32	40	50	64	80
	M3	mm	29.5	50	65	75	90
	M4	mm	34.2	59	72.8	89.8	117.7
	M5	mm	27.7	41	52.9	65.2	79.4
	M6	mm	14.2	30.7	39.5	48.7	57.8
	M7	mm	41.1	62.9	80.9	99.8	129.7
	M8	mm	8.3	4.9	9.4	11.6	12.4
	M9	mm	42.7	69.8	89.5	110.4	141.5
	M10	mm	5	5	8	11	12
	M11	mm	34	52	64	78	102
Lubrication	p1	mm	M4	M4	M4	M5	M5
	p2 ØH7	mm	6x14	8x14	8x14	10x20	12x20
Air purge	p3	mm	M4	M4	M4	M5	M5
Vise closed	p4	mm	M4	M4	M4	M5	M5
Vise open	p5	mm	M4	M4	M4	M5	M5
Air sensing connection	p9	mm	M4	M4	M4	M5	M5
Air sensing outlet	p10	mm	M4	M4	M4	M6	M6
Min. / max. (long stroke)	R2	mm	20 / 32	26 / 42.8	30 / 50.4	39 / 69	50 / 86
Min. / max. (long stroke)	R1	mm	50 / 56	82.5 / 90.9	100 / 110.2	119.5 / 134.5	151.5 / 169.5
Min. / max. (long stroke)	Rmax	mm	25.6 / 31.6	44.8 / 53.2	54.5 / 64.7	51.5 / 66.5	81.5 / 99.5
Min. / max. (normal stroke)	R2	mm	19.8 / 25	26 / 32	30.6 / 39	34.4 / 45	49.2 / 62
Min. / max. (normal stroke)	R1	mm	47.4 / 50	82.5 / 85.5	95.8 / 100	119.7 / 125	151.1 / 157.5
Min. / max. (normal stroke)	Rmax	mm	25.4 / 28	45 / 48	54.5 / 58.7	55.7 / 61	87.1 / 93.5
Min. / max. (fixed jaw)	R2	mm	20 / 26	26 / 34.4	30 / 40.2	39 / 54	56 / 74
Min. / max. (fixed jaw)	R1	mm	50 / 56	82.5 / 90.9	100 / 110.2	119.5 / 134.5	151.5 / 169.5
Min. / max. (fixed jaw)	Rmax	mm	25.6 / 31.6	44.8 / 53.2	54.5 / 64.7	51.5 / 66.5	81.5 / 99.5
Long stroke	U	mm	6	8.4	10.2	15	18
Normal stroke	U	mm	2.6	3	4.2	5.3	6.4
Fixed jaw stroke	U	mm	6	8.4	10.2	15	18
	a	mm	35	60	80	90	120
	b	mm	7	10	10	12	15
	c	mm	M6x10	M8x12	M8x12	M10x15	M12x17
Serration	d	mm	1.5 x 60°	1.5 x 60°	1.5 x 60°	1.5 x 60°	1.5 x 60°
Min. / max. (normal stroke)	e	mm	14.4 / 17	19 / 22	28.5 / 32.7	24.7 / 30	33.1 / 39.5
Min. / max. (long stroke)	e	mm	14.6 / 20.6	18.8 / 27.2	28.5 / 38.7	32.5 / 47.5	42.5 / 60.5
Min. / max. (fixed jaw)	e	mm	14.6 / 20.6	18.8 / 27.2	28.5 / 38.7	32.5 / 47.5	42.5 / 60.5
	f	mm	1.8	1.8	2	2.5	2.5
	g	mm	2.7	3.2	4	4	4
	h	mm	16	25	35	40	40
	o (H7)	mm	6	8	8	10	12
	n (g6)	mm	20	32	40	50	60

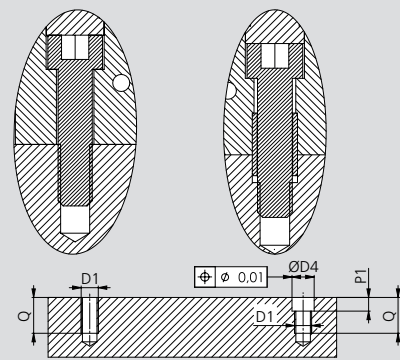
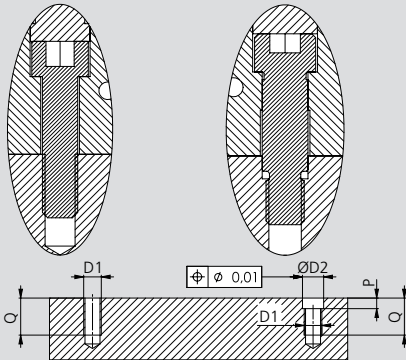
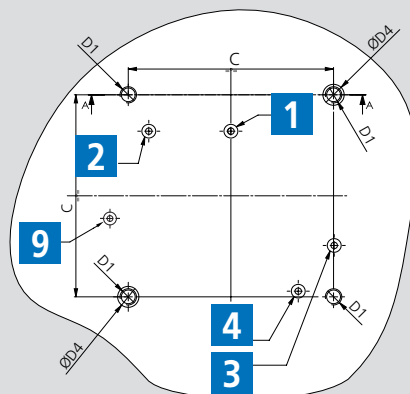
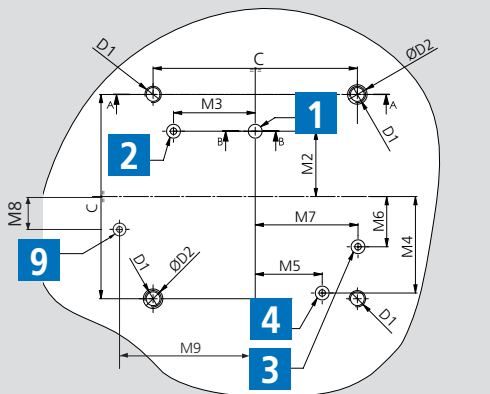


SOLUTION 1 STANDARD

± 0.03 mm to clamping center

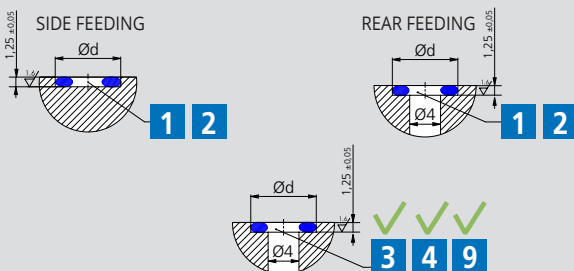
SOLUTION 2 STANDARD

± 0.025 mm to clamping center



ALL BOLTS AND CENTERING BUSHINGS INCLUDED

FEEDING SEATS: OBLIGATED EXECUTION



- 1** Open-Rear feeding
- 2** Closed-Rear feeding
- 3** Air purge
- 1A** Open-Side feeding
- 2A** Closed-Side feeding
- 4** Central lubrication
- 5** Lubrication fitting
- 6** Proximity switches seats
- 9** Air sensing connection
- 10** Air sensing outlet

TV	C	D1	D2H7	D4H7	M	M1	M2	M3	M4	M5	M6	M7	M8	M9	P	P1	Q	V	Z	Ød	OR
100	80	M8	10	11	45	29	32	29.5	34.2	27.7	14.2	41.1	8.3	42.7	6	6	18	37.3	96.5	8	OR2018
160	125	M10	12	13	69	48	40	50	59	41	30.7	62.9	4.9	69.8	6	7	21	50	155	8	OR2018
200	160	M12	14	16	88	62	50	65	72.8	52.9	39.5	80.9	9.4	89.5	7	7	24	62	195	8.8	OR2021
250	200	M12	14	16	113	77	64	75	89.8	65.2	48.6	99.8	11.6	110.4	7	7	24	80	239	8.8	OR2021
315	250	M15	18	21	-	-	80	90	115.7	84	62.7	128.5	12.4	141.5	8	7	27	-	-	8.8	OR2021