



Application/customer benefits

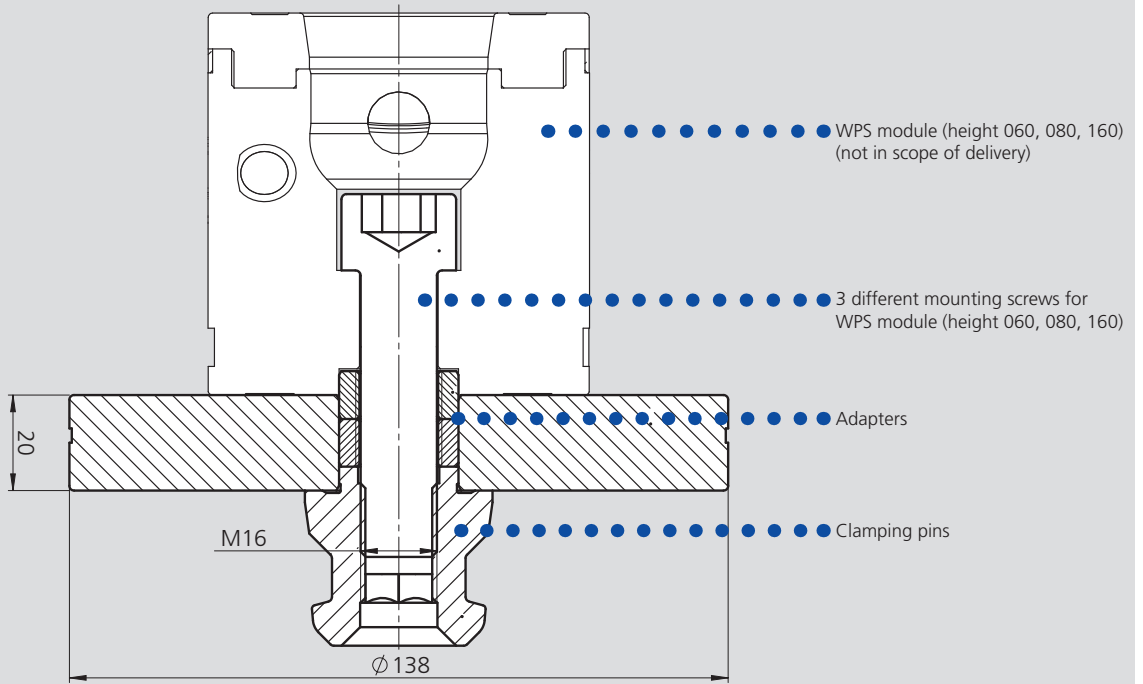
- Simply use of WPS modules on APS zero point clamping system
- Ready to use

Technical features

- Compatible to WPS modules height 060, 080 and 160

Standard equipment

Adapter-set including 3 different mounting screws
M16 for WPS height 060, 080, 160,
clamping pin and adapters (without WPS module)



Subject to technical changes.

SMW-AUTOBLOK Type

Id. No.

Adapter set WPS 080

460359