

# EMX-P

Expanding mandrel  
Power operated

## Expanding mandrel Ø 14.7 - 131.7 mm

- Size 1 - 11
- Highest concentricity
- Air sensing



### Application/customer benefits

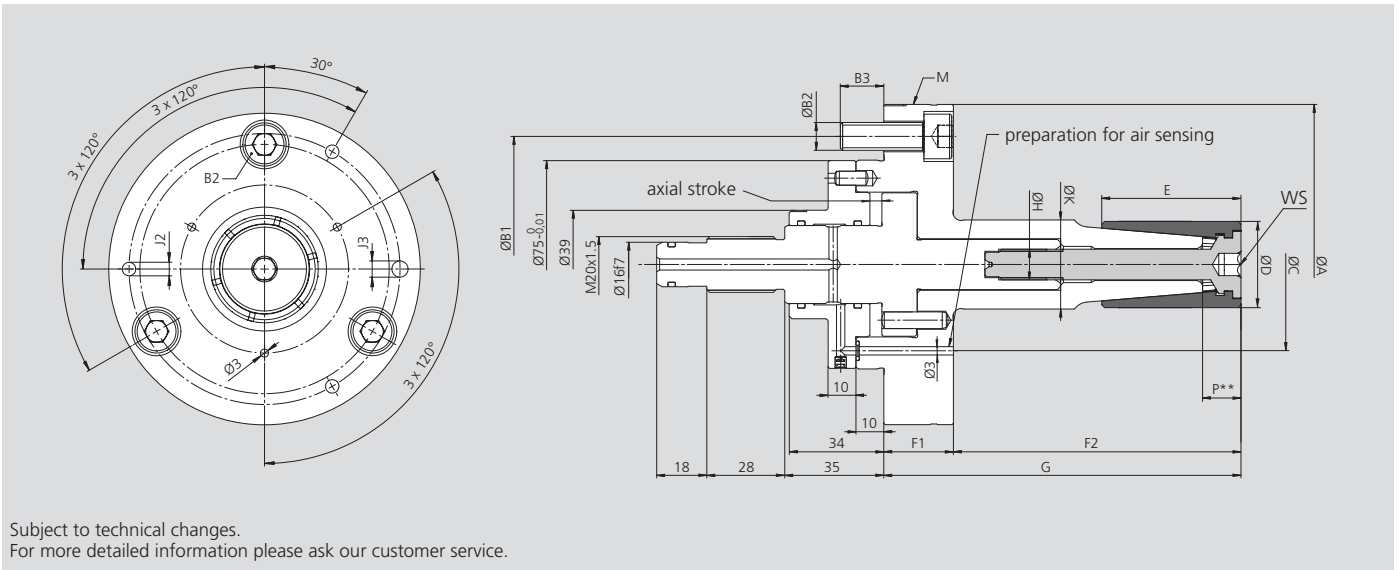
- For turning, milling, grinding and gear cutting operations
- High accuracy and torque transmission due to fixed arbor
- Axial pull down by axial movement of the clamping sleeve during actuation
- Quick set-up

### Technical features

- Large expansibility (1 mm in diameter)
- Power operated / manual lubrication
- Flange mounting
- Very rigid design
- Vulcanized expanding sleeve for protection from the penetration of chips (option)
- Preparation for air sensing

### Standard equipment

Basic mandrel with draw bolt for power operation  
Mounting bolts



Subject to technical changes.  
For more detailed information please ask our customer service.

SMW-AUTOBLOK Type Id. No.	EMX-P-1 9310000	EMX-P-2 9320000	EMX-P-3 9330000	EMX-P-4 9340000	EMX-P-5 9350000	EMX-P-6 9360000	EMX-P-7 9370000	EMX-P-8 9380000	EMX-P-9 9390000	EMX-P-10 9300000	EMX-P-11 9310010	
A	115	115	115	115	115	115	135	135	135	135	135	
B1	92	92	92	92	92	92	112	112	112	112	112	
B2	3 x M10	3 x M10	3 x M10	3 x M10	3 x M10	3 x M10	3 x M10	3 x M10	3 x M10	3 x M10	3 x M10	
B3	15.6	15.6	15.6	15.6	15.6	15.6	15.6	15.6	15.6	15.6	15.6	
C	3 x 120° Ø 3	62	62	62	62	62	62	76	85	98	110	
D	Clamping range	14.7 - 19.7	19.7 - 24.7	24.7 - 29.7	29.7 - 34.7	34.7 - 39.7	39.7 - 44.7	44.7 - 54.7	54.7 - 64.7	64.7 - 81.7	81.7 - 101.7	101.7 - 131.7
E		35	40	46	50	60	60	80	90	100	122	140
F1		25	25	25	25	25	25	25	25	25	25	25
F2		75	85	96	105	115	115	151	157	191	217	244
G		100	110	121	130	140	140	176	182	216	242	269
H		M6	M8	M10	M11x1.5	M12	M14	M14	M14	M14	M20	M20
J1		100	100	100	100	100	100	115	115	115	115	115
J2		3 x M6	3 x M6	3 x M6	3 x M6	3 x M6	3 x M6	3 x M8	3 x M8	3 x M8	3 x M8	3 x M8
J3	H7	6	6	6	6	6	6	8	8	8	8	8
K	f8	22	27	29	32	35	38	42	50	60	73	86
M transport		-	-	-	-	-	-	-	-	3 x M8	3 x M8	3 x M8
P**		13	15	15	15.5	16	16.5	18.5	20.5	21	21.5	25.2
WS (hex)		WS4	WS4	WS6	WS8	WS8	WS8	WS8	WS10	WS10	WS12	WS12

### Technical data

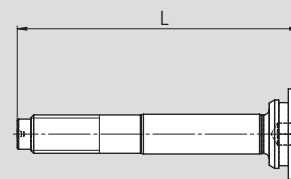
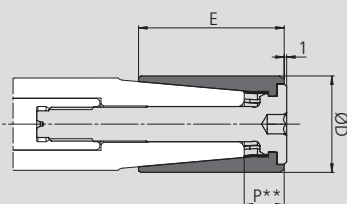
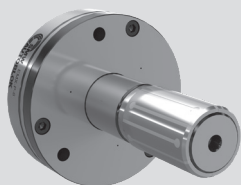
SMW-AUTOBLOK Type Id. No.	EMX-P-1 9310000	EMX-P-2 9320000	EMX-P-3 9330000	EMX-P-4 9340000	EMX-P-5 9350000	EMX-P-6 9360000	EMX-P-7 9370000	EMX-P-8 9380000	EMX-P-9 9390000	EMX-P-10 9300000	EMX-P-11 9310010
Axial stroke	6.0	6.0	6.0	6.0	6.0	6.0	6.0	6.0	6.0	6.0	6.0
Sleeve expansion Ø *	1.0	1.0	1.0	1.0	1.0	1.0	1.0	1.0	1.0	1.0	1.0
Max. axial force in kN	7	7	12	12	15	20	20	20	25	25	30
Max. transmittable torque in Nm	20	28	60	70	100	150	170	210	320	400	570
Weight in kg	2.9	3.0	3.1	3.2	3.3	3.4	4.6	5.2	6.6	8.7	11.9
Rec. actuating cylinders	SIN-S 70	SIN-S 70	SIN-S 85	SIN-S 85	SIN-S 85	SIN-S 100	SIN-S 100	SIN-S 100	SIN-S 100	SIN-S 100	SIN-S 125

All measurements in unclamped position = Right end position.

\* From dimension of clamping sleeve.

\*\* Clamping on area P only is not allowed.

## Ordering review



Basic mandrel							Clamping sleeve* with actuating screw		Actuating screw	
Type	Id. No.	Clamping range	ØD	E	Expansibility	P**	Id. No.	Id. No.	L	
EMX-P-1	9310000	14.7 - 19.7	14.7	35	1	12.7	9310147	9310002000	75.5	
			15.7	35	1	12.7	9310157			
			16.7	35	1	12.7	9310167			
			17.7	35	1	12.7	9310177			
			18.7	35	1	12.7	9310187			
EMX-P-2	9320000	19.7 - 24.7	19.7	40	1	14.7	9320197	9320002000	80	
			20.7	40	1	14.7	9320207			
			21.7	40	1	14.7	9320217			
			22.7	40	1	14.7	9320227			
			23.7	40	1	14.7	9320237			
EMX-P-3	9330000	24.7 - 29.7	24.7	46	1	14.7	9330247	9330002000	86.5	
			25.7	46	1	14.7	9330257			
			26.7	46	1	14.7	9330267			
			27.7	46	1	14.7	9330277			
			28.7	46	1	14.7	9330287			
EMX-P-4	9340000	29.7 - 34.7	29.7	50	1	15.2	9340297	9340002000	92	
			30.7	50	1	15.2	9340307			
			31.7	50	1	15.2	9340317			
			32.7	50	1	15.2	9340327			
			33.7	50	1	15.2	9340337			
EMX-P-5	9350000	34.7 - 39.7	34.7	60	1	15.7	9350347	9350002000	102	
			35.7	60	1	15.7	9350357			
			36.7	60	1	15.7	9350367			
			37.7	60	1	15.7	9350377			
			38.7	60	1	15.7	9350387			
EMX-P-6	9360000	39.7 - 44.7	39.7	60	1	16.2	9360397	9360002000	102	
			40.7	60	1	16.2	9360407			
			41.7	60	1	16.2	9360417			
			42.7	60	1	16.2	9360427			
			43.7	60	1	16.2	9360437			
EMX-P-7	9370000	44.7 - 54.7	44.7	80	1	18.2	9370447	9370002000	116	
			45.7	80	1	18.2	9370457			
			46.7	80	1	18.2	9370467			
			47.7	80	1	18.2	9370477			
			48.7	80	1	18.2	9370487			
EMX-P-8	9380000	54.7 - 64.7	49.7	80	1	18.2	9370497	9380002000	126	
			50.7	80	1	18.2	9370507			
			51.7	80	1	18.2	9370517			
			52.7	80	1	18.2	9370527			
			53.7	80	1	18.2	9370537			
EMX-P-9	9390000	64.7 - 81.7	54.7	90	1	20.2	9380547	9390002000	136	
			55.7	90	1	20.2	9380557			
			56.7	90	1	20.2	9380567			
			57.7	90	1	20.2	9380577			
			58.7	90	1	20.2	9380587			
EMX-P-9	9390000	64.7 - 81.7	59.7	90	1	20.2	9380597	9390002000	136	
			60.7	90	1	20.2	9380607			
			61.7	90	1	20.2	9380617			
			62.7	90	1	20.2	9380627			
			63.7	90	1	20.2	9380637			
			64.7	100	1	20.7	9390647			
			65.7	100	1	20.7	9390657			
			66.7	100	1	20.7	9390667			
			67.7	100	1	20.7	9390677			
			68.7	100	1	20.7	9390687			
			69.7	100	1	20.7	9390697			
			70.7	100	1	20.7	9390707			
			71.7	100	1	20.7	9390717			
			72.7	100	1	20.7	9390727			
			73.7	100	1	20.7	9390737			
74.7	100	1	20.7	9390747						
75.7	100	1	20.7	9390757						
76.7	100	1	20.7	9390767						
77.7	100	1	20.7	9390777						
78.7	100	1	20.7	9390787						
79.7	100	1	20.7	9390797						
80.7	100	1	20.7	9390807						

\* Id. No. XXXXXX-V = Clamping sleeve vulcanized.

\*\* Clamping on area P only is not allowed.

# EMX-P

Expanding mandrel  
Power operated

## Expanding mandrel Ø 14.7 - 131.7 mm

■ Ordering review

Basic mandrel							Clamping sleeve* with actuating screw	Actuation screw	
Type	Id. No.	Clamping range	ØD	E	Expansibility	P**	Id. No.	Id. No.	L
EMX-P-10	9300000	81.7 - 101.7	81.7	122	1	21.7	9300817	9300002000	164
			82.7	122	1	21.7	9300827		
			83.7	122	1	21.7	9300837		
			84.7	122	1	21.7	9300847		
			85.7	122	1	21.7	9300857		
			86.7	122	1	21.7	9300867		
			87.7	122	1	21.7	9300877		
			88.7	122	1	21.7	9300887		
			89.7	122	1	21.7	9300897		
			90.7	122	1	21.7	9300907		
			91.7	122	1	21.7	9300917		
			92.7	122	1	21.7	9300927		
			93.7	122	1	21.7	9300937		
			94.7	122	1	21.7	9300947		
			95.7	122	1	21.7	9300957		
			96.7	122	1	21.7	9300967		
			97.7	122	1	21.7	9300977		
			98.7	122	1	21.7	9300987		
			99.7	122	1	21.7	9300997		
			EMX-P-11	9310010	101.7 - 131.7	100.7	122		
101.7	140	1				26.2	9311017		
102.7	140	1				26.2	9311027		
103.7	140	1				26.2	9311037		
104.7	140	1				26.2	9311047		
105.7	140	1				26.2	9311057		
106.7	140	1				26.2	9311067		
107.7	140	1				26.2	9311077		
108.7	140	1				26.2	9311087		
109.7	140	1				26.2	9311097		
110.7	140	1				26.2	9311107		
111.7	140	1				26.2	9311117		
112.7	140	1				26.2	9311127		
113.7	140	1				26.2	9311137		
114.7	140	1				26.2	9311147		
115.7	140	1				26.2	9311157		
116.7	140	1				26.2	9311167		
117.7	140	1				26.2	9311177		
118.7	140	1				26.2	9311187		
119.7	140	1				26.2	9311197		
120.7	140	1	26.2	9311207					
121.7	140	1	26.2	9311217					
122.7	140	1	26.2	9311227					
123.7	140	1	26.2	9311237					
124.7	140	1	26.2	9311247					
125.7	140	1	26.2	9311257					
126.7	140	1	26.2	9311267					
127.7	140	1	26.2	9311277					
128.7	140	1	26.2	9311287					
129.7	140	1	26.2	9311297					
130.7	140	1	26.2	9311307					

\* Id. No. XXXXXX-v = Clamping sleeve vulcanized.

\*\* Clamping on area P only is not allowed.