

HYND-S

INCH
SERRATION

Hydraulic front end chuck \varnothing 180 - 400 mm

- Oil feed through spindle wall
- 3 and 4 jaws

Application/customer benefits

- Machining of bars / shafts
- Complete spindle bore can be used
- For machines with rotary tables and special machines

HYND-S: Master jaws with INCH SERRATION (1/16" x 90°)

Technical features

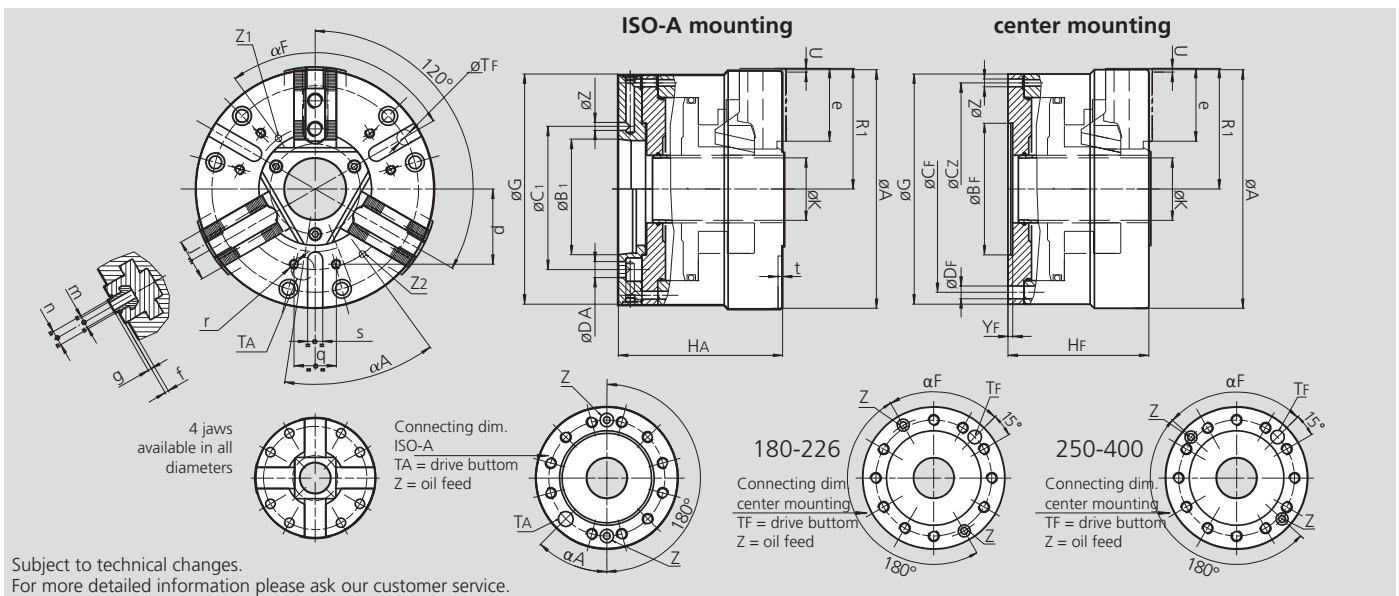
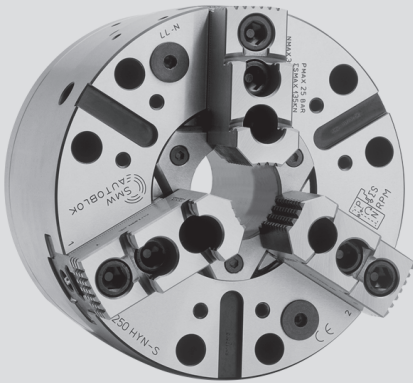
- Power chuck with big through-hole, wedge hook design
- Built in cylinder with safty valves
- Chuck body case hardened
- Special mounting dimensions on request

Standard equipment

- 3- or 4-jaw chuck
- 1 set T-nuts with bolts
- 1 set of top jaws
- Mounting bolts

Ordering example

- 3-jaw chuck HYND-S 210-53-3 A06
- or
- 4-jaw chuck HYND-S 250-66-4 Z140



Technical data

SMW-AUTOBLOK Type		HYND-S 180	HYND-S 210	HYND-S 226	HYND-S 250	HYND-S 315	HYND-S 400
Max. pressure	bar (psi)	20 (290)	25 (363)	22 (319)	25 (363)	22 (319)	25 (363)
Max. gripping force	kN (lbf)	72 (16186)	115 (25853)	115 (25853)	135 (30349)	160 (35969)	210 (47210)
Max. speed	r.p.m.	5000	4200	4200	3600	3100	2500
Moment of inertia	kg·m ²	0.09	0.18	0.22	0.40	0.85	1.9
Weight (without top jaws) (ISO-A)	kg (lbs)	20 (44)	31 (68)	34 (75)	48 (106)	70 (154)	145 (320)
HYND-S 3 jaws Id.-No.		77834218	77834221	77834223	77834225	77834232	77834241
HYND-S 4 jaws Id.-No.		77844218	77844221	77844223	77844225	77844232	-

Dimensions

Type	A	G	K	R1	U	Z	e	f	g	j	m	n	p	q	r	s	t
Size	mm	mm	mm	open mm	stroke mm (inch)	mm	mm	mm	mm	mm	mm	mm	mm	mm	mm	mm	mm
HYND-S 180	180	180	53	90.5	3.5 (0.14")	7	49.5	5	2.5	30	M10	14	-	-	-	-	-
HYND-S 210	212	212	53	108	3.5 (0.14")	7	66	4	2.5	36	M12	17	80	28	M8	16	5
HYND-S 226	226	226	65	116	3.5 (0.14")	7	66	4	2.5	36	M12	17	90	36	M8	16	5
HYND-S 250	254	245	66	128.5	4.0 (0.16")	8.5	77.5	4	3.5	45	M16	21	80	45	M10	16	5
HYND-S 315	315	305	102	160.5	4.5 (0.18")	8.5	93	4	3.5	45	M16	21	100	60	M10	20	5
HYND-S 400	400	335	130	202	5.5 (0.22")	10	116	5	3.5	62	M16	21	135	80	M12	20	5

Dimensions of chucks with center mounting

Dimensions of chucks with ISO-A mounting

Type	BF (H6)	CF	CZ	DF	HF	YF	TF	α F	Masse	Type	\varnothing 180		\varnothing 210		\varnothing 226		\varnothing 250		\varnothing 315		\varnothing 400	
HYND-S	mm	mm	mm	mm	mm	mm	mm	deg.	kg (lbs)	HYND-S	A5	A6	A5	A6	A6	A6	A8	A8	A11	A8	A11	
\varnothing 180	140	163	165	9	119	6	8	45°	17 (38)	BA (J4)	82.563	106.375	82.563	106.375	106.375	106.375	139.719	139.719	196.869	139.719	196.869	
\varnothing 210	110	190	190	11	126	5	12	75°	27 (60)	CA	104.8	133.4	104.8	133.4	133.4	133.4	171.4	171.4	235	171.4	235	
\varnothing 226	140	206	206	11	129	5	12	30°	30 (66)	DA	11.5	13.5	11.5	13.5	13.5	13.5	17	17	21	17	21	
\varnothing 250	140	220	226	13.5	150	5	16	96°	42 (93)	HA	137	140	146	146	149	175	175	185	185	220	220	
\varnothing 315	140	262	280	17	160	5	16	96°	60 (132)	α A	deg.	45°	45°	45°	45°	45°	45°	45°	45°	45°	45°	
\varnothing 400	200	280	235	17	190	5	20	65°	133 (293)													