

# KIT-RR

## RR System to convert standard chuck in quick-change chuck Ø 210 - 400



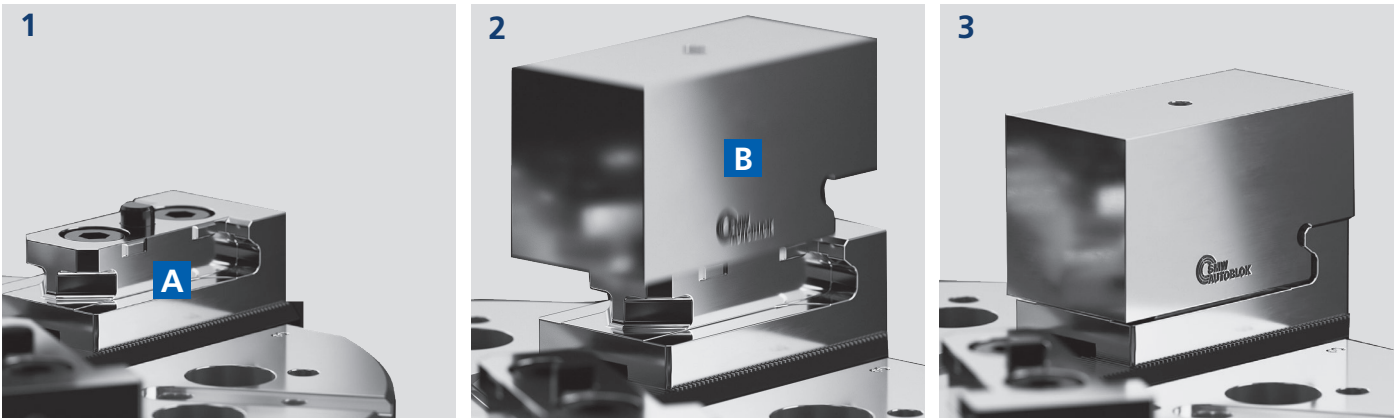
### Application

- Converts a standard chuck into a quick jaw change chuck
- Easy coupling and uncoupling with spring loaded button
- Safety against accidental release
- Suitable for manual and/or robotic use
- Ready for robotized change

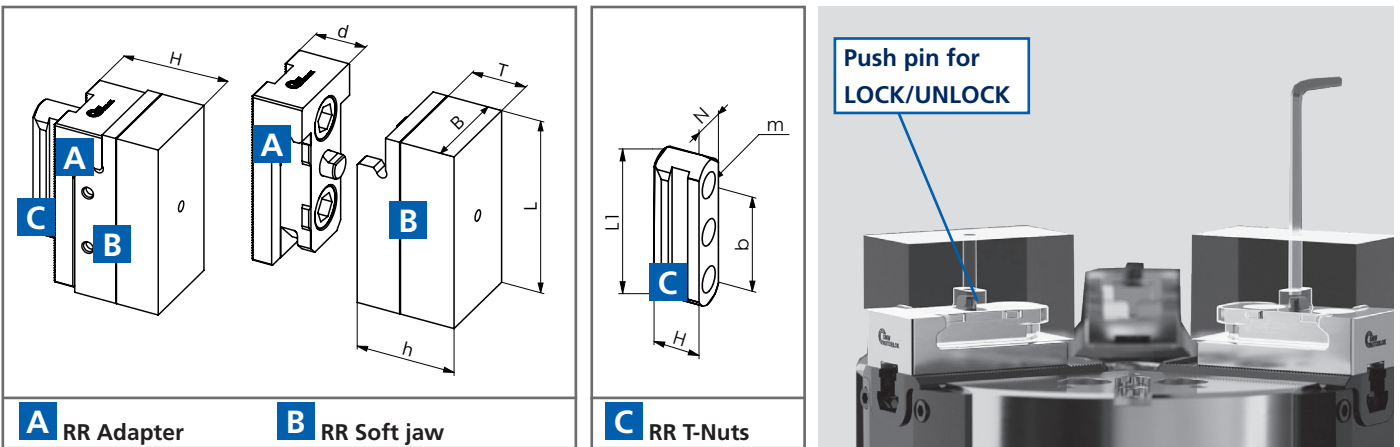
### Technical features

- Available sizes Ø 210-400
- Semifinished pallet and top jaws kit
- Available for master jaws with 1/16 x 90° and 1,5 mm x 60° serrations

### Operation steps



### Order Guide KIT-RR



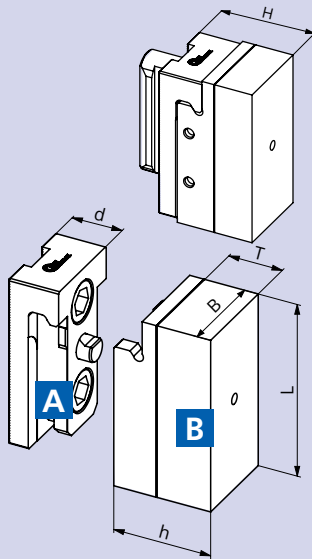
KIT-RR	Ø 210-215		Ø 250		Ø 260		Ø 315		Ø 400	
order guide	BH-D AP-D NT-D	BH-M AP-M NT-M	BH-D	BH-M	AP-D NT-D	AP-M NT-M	BH-D AP-D NT-D	BH-M AP-M NT-M	BH-D AP-D NT-D	BH-M AP-M NT-M
RR ADAPTERS	18932110	18932113	18932510	18932513	18932610	18932613	18933110	18933113	18934010	18934013
RR SOFT TOP JAWS*	18042110		18042610		18043110		18044010			
RR T-NUTS	18462110		18462510		18462610		18463110		18464010	

\* Material C45 (UNI 78-45) / 2C45 (EN) / CK45 (DIN) flame hardened in the adapter contact area, soft (not hardened) in the upper side.

# RR System to convert standard chuck in quick-change chuck Ø 210 - 400

# KIT-RR

## KIT-RR for SMW-Autoblok chuck



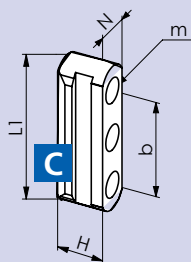
RR ADAPTERS **A** (ID.N.refers to 1 adapter+1 T-nut)

ID.N.	d	A + B	
		H	Weight (Kg)
18932110 / 18932113	22	55	0,73
18932510 / 18932513	27	62	1,65
18932610 / 18932613	30	71	2,8
18933110 / 18933113	30	74	4,3

**ATTENTION!** WHEN THE RR-KIT IS MOUNTED ON THE CHUCK MUST REDUCE THE CHUCK WORKING PARAMETERS OF 20%. PLS, READ THE CHUCK MANUAL INSTRUCTIONS TO KNOW THE MAX RPM.

RR SOFT TOP JAW **B** (ID.N.refers to 1 jaw)

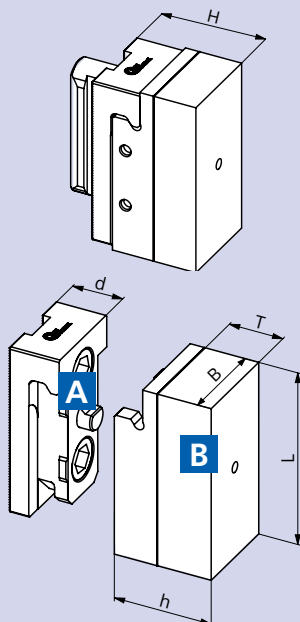
ID.N.	B	h	L	T	Weight (Kg)
18042110	40	48	70	-	0,8
18042610	45	49	87	28	1,2
18043110	54	58	106	32	2
18044010	61	61	135	25	3,2



RR T-NUTS **C** (ID.N.refers to 1 T-nut)

ID.N. (1 T-Nut)	N	H	b	L1	m
18462110	17	20,5	34	54	M10
18462510	21	26,5	37	59	M12
18462610	17	20,5	37	59	M12
18463110	21	26,5	55	83	M16
18464010	21	33	68	92	M16

## Metric serration (Japanese/Asian) chuck interchangeability



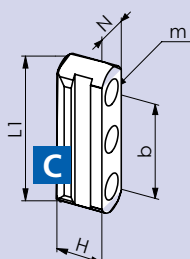
RR ADAPTERS **A**

Chuck Size (Inch)	Chuck Size (mm)	ID.No.*	METRIC serration 1,5mm x 60°	d	A + B	
					H	Weight (Kg)
8"	210	18932119	•	22	55	0,73
10"	254	18932519	•	27	62	1,65
12"	304	18933119	•	30	71	2,8
15"	381	18934019	•	30	74	4,3

\*The code refers to 1 RR adapter complete with 1 T-Nut

RR SOFT TOP JAW **B** (ID.N.refers to 1 soft top jaw)

Chuck Size (Inch)	Chuck Size (mm)	ID.No. (1 jaw)	B	h	L	T	Weight (Kg)
8"	210	18042110	40	48	70	-	0,8
10"	254	18042610	45	49	87	28	1,2
12"	304	18043110	54	58	106	32	2
15"	381	18044010	61	61	135	25	3,2



RR T-NUTS **C** (ID.N.refers to 1 T-nut)

Chuck Size (Inch)	Chuck Size (mm)	Chuck Size	ID.No. (1 T-Nuts)	N	H	b	L1	m
8"	210	210-215	18462119	17	20,5	34	54	M10
10"	254	254	18462519	17	21,5	37	59	M12
12"	304	304	18463119	21	27,75	55	83	M16
15"	381	381	18464019	21	45,5	68	92	M16