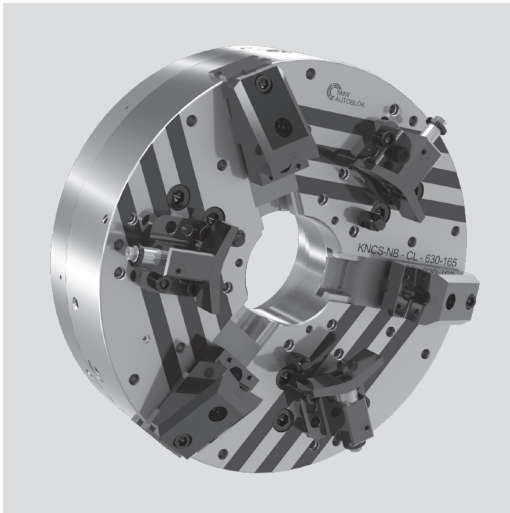


KNCS-NB-CL

CENTER LINE

High precision power chuck \varnothing 630 mm

- Quick jaw change
- Large through-hole
- Wide master jaws – Radial fine adjustment
- High flexibility: jaws radially adjustable / reversible



Application/customer benefits

- For workpieces with high concentricity callout
- For radial readjustment of workpieces with big changes in weight during machining
- To apply additional grip force to the workpiece by the adjustment screws
- Readjustment of the centerline of the workpiece in process

Technical features

- Integrated fine adjustment to center the workpiece
- Fine adjustment is radially displaceable for different workpiece diameters
- Concentricities higher than the repeatability of the chuck can be reached

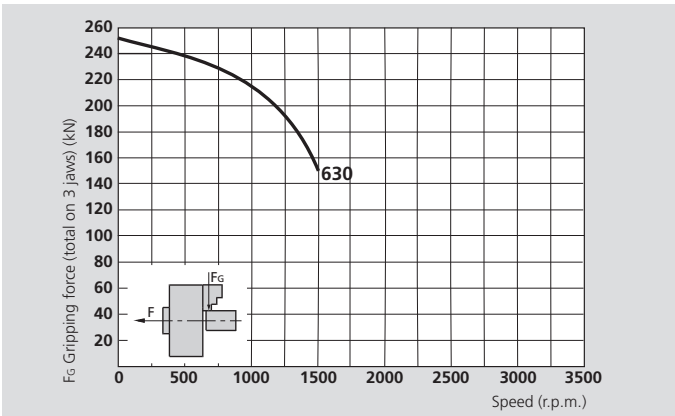
Standard equipment

- 3-jaw chuck with disengaging key
- Mounting key
- Set of coverplates
- Fine adjustment

Ordering example

3-jaw chuck KNCS-NB-CL 630

Actual gripping force diagram

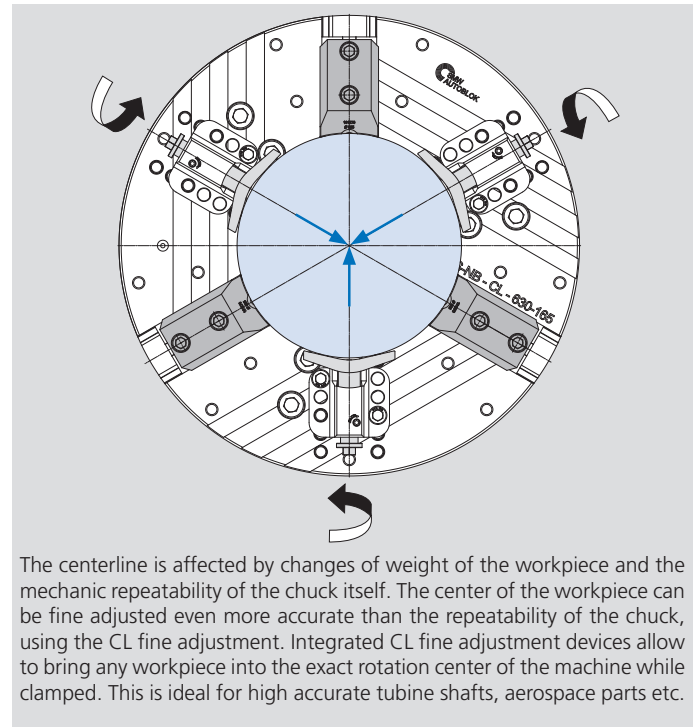


The data in the diagram refers to 3-jaw chucks, newly maintained according to their service manuals using SMW-AUTOBLOK K05 grease. The static and dynamic gripping forces have been measured using standard soft top jaws, placed in a position not exceeding the outer diameter of the chuck.

⚠ Safety advice / danger of damage:

When using taller / heavier jaws and / or clamping on a bigger diameter reduce draw pull / rotating speed accordingly.

Radial fine adjustment CL



The centerline is affected by changes of weight of the workpiece and the mechanic repeatability of the chuck itself. The center of the workpiece can be fine adjusted even more accurate than the repeatability of the chuck, using the CL fine adjustment. Integrated CL fine adjustment devices allow to bring any workpiece into the exact rotation center of the machine while clamped. This is ideal for high accurate turbine shafts, aerospace parts etc.

Technical data

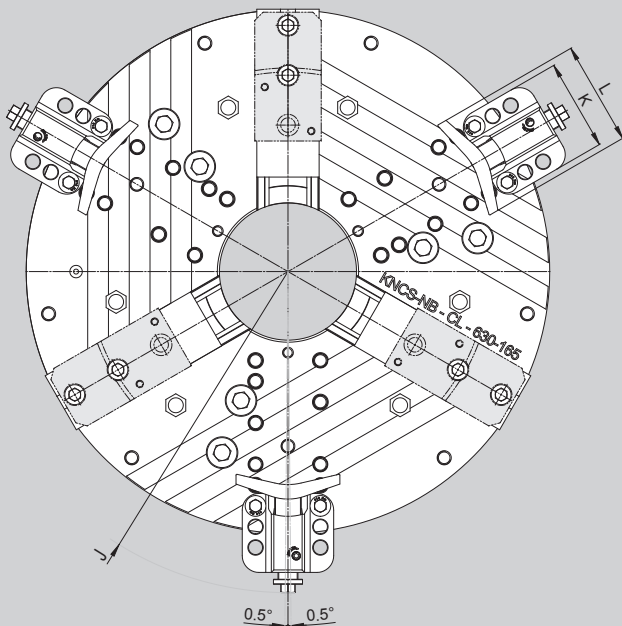
SMW-AUTOBLOK Type		KNCS-NB-CL 630
Id. No.		161250
Number of jaws		3
Radial jaw stroke	mm	10
Axial piston stroke	mm	42
Max. draw-pull	kN	120
Max. gripping force	kN	250
Max. speed	r.p.m.	1500
Weight (without top jaws)	kg	390
Moment of inertia	kg·m ²	18
Recommended closed center cylinder		SIN-S 175 / 200
Recommended open center cylinder		VSG 450-165

High precision power chuck Ø 630 mm

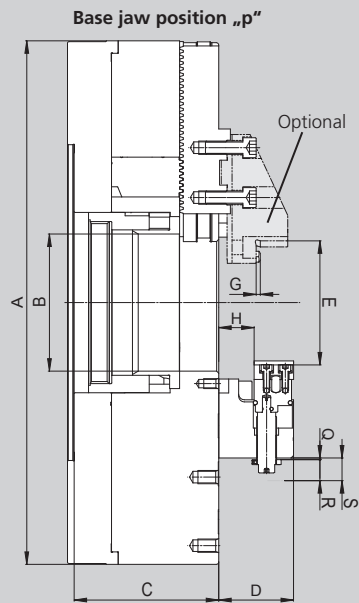
- Quick jaw change
- Large through-hole
- Wide master jaws - Radial fine adjustment
- High flexibility: Jaws radially adjustable / reversible

KNCS-NB-CL

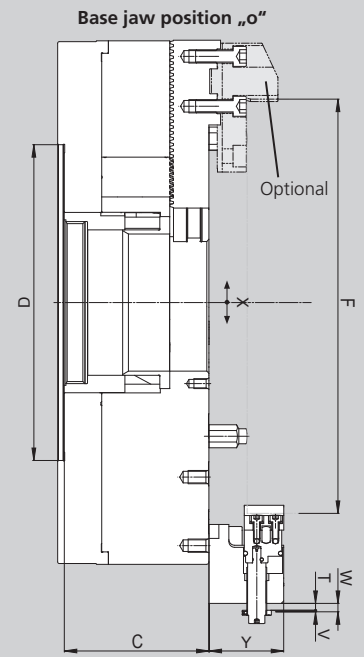
CENTER LINE



Max. radial swivelling
~±0.5° = ±0.5 mm



Min. position of adjustment
(CL)



Max. position of adjustment
(CL)

Subject to technical changes.
For more detailed information please ask our customer service or see the technical data of KNCS-NB.

SMW-AUTOBLOK Type			KNCS-NB-CL 630
Id. No.			161250
Chuck bore diameter	A	mm	630
	B	mm	165
Min. clamping diameter	C	mm	174
	D	mm	380
Max. clamping diameter	E	mm	150
	F	mm	540
Swing diameter max.	G	mm	5
	H	mm	42.6
Residual stroke CL (min. position)	J	mm	812
	K	mm	110
Approach stroke CL (min. position)	L	mm	125
	M	mm	60
Total stroke CL (min. position)	Q	mm	2
	R	mm	27
Residual stroke CL (max. position)	S	mm	29
	T	mm	1.8
Approach stroke CL (max. position)	V	mm	27.2
	W	mm	29
Total stroke CL (max. position)	X	mm	~±0.05
	Y	mm	90