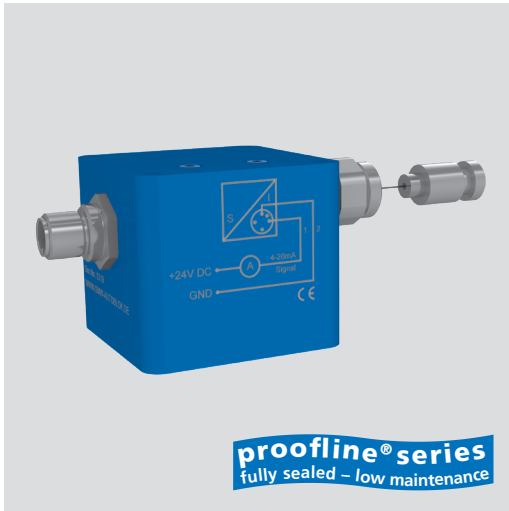


- Completely sealed, protection class IP 66
- Output signal 4-20 mA or 0-10 V



Application/customer benefits

- For SMW-AUTOBLOK Steady Rests
- Linear monitoring of the complete clamping stroke avoids collision with the tools, which is an added safety feature
- Time saving by only partial opening the Steady Rest (with corresponding hydraulic power unit)

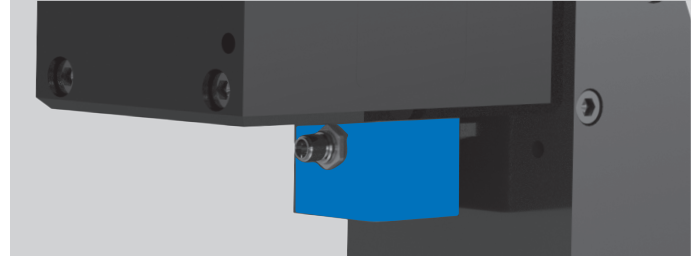
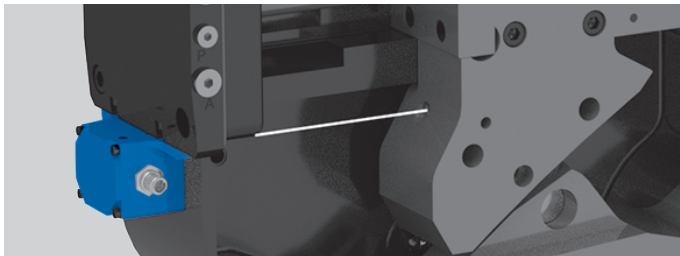
Technical features

- Protection class IP 66
- Output signal 4 - 20 mA or 0 - 10 V
- Electrical power supply 24 VDC
- **proofline®** = fully sealed – low maintenance

Accessories

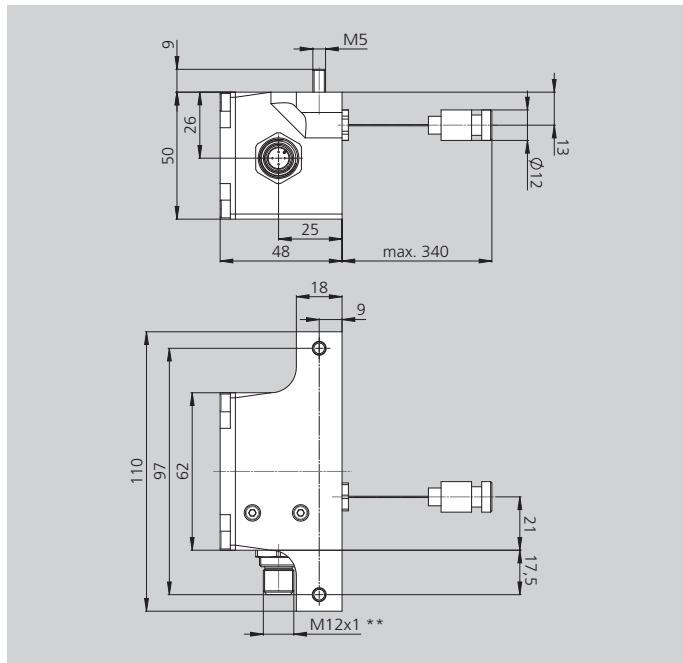
Sensor connection cable see LPS 4.0
(Plug M12 x 1 4-pin) see general catalog page 343

Installation and Position



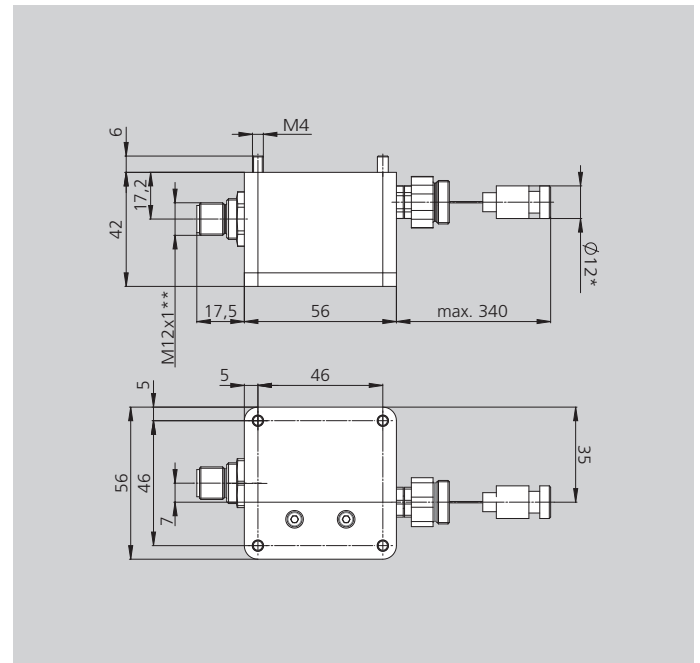
Technical data for Steady Rests type RX

SCU, output 4 - 20 mA: Id. No. 224244
SCU, output 0 - 10 V: Id. No. 225924



Technical data for other Steady Rest types

SCU, output 4 - 20 mA: Id. No. 225440
SCU, output 0 - 10 V: Id. No. 226122



Note for both SCU types: It is about a two-wire system. The measuring current is simultaneously acting to feed the transformer. Subject to technical changes. For more detailed information please ask our customer service.

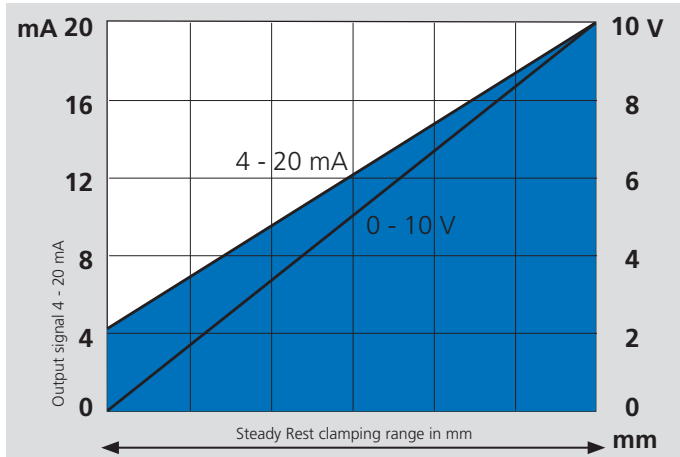
* For mounting Steady Rests type KLU: ϕ 8 mm.

** Connector 4-pin.

Cables for SCU	Length	Id. No.	
Sensor connection cable straight plug M8 x 1 5-pin	5 m	0E011315	
	10 m	0E011316	
	15 m	0E011317	

- Completely sealed, protection class IP 66
- Output signal 4 - 20 mA or 0 - 10 V

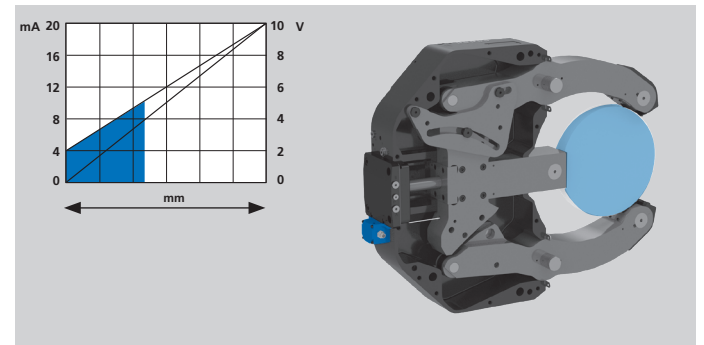
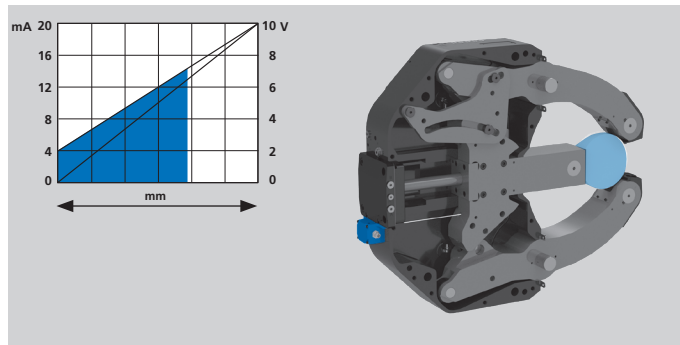
Linear stroke control unit SCU



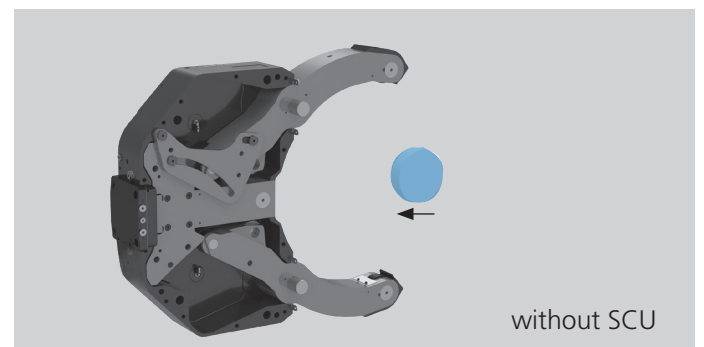
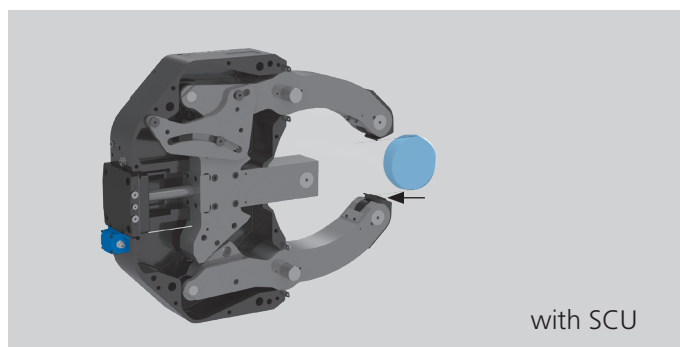
The linear stroke control unit type SCU provides a linear output signal between min. 4 mA and max. 20 mA depending on the Steady Rest clamping range. This allows to detect any position of the Steady Rest, and thus of the Steady Rest arms, safely.

- Time saving by only partial opening the Steady Rest (with corresponding hydraulic power unit).
- Collision protection by evaluation of the output signal of the machine control.

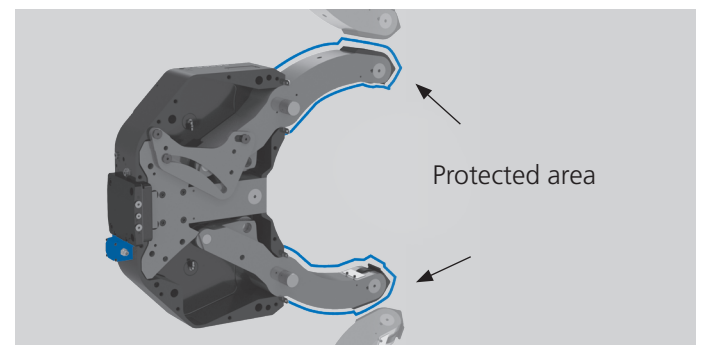
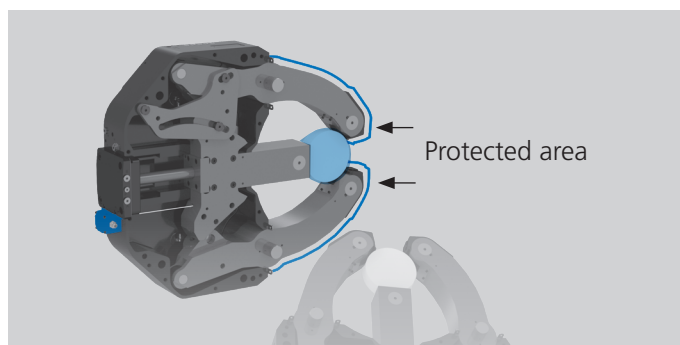
Output signal depending on the Steady Rest clamping range



Time saving by only partial opening of the Steady Rest



Collision protection by evaluation of the output signal



Linear measuring of the steady rest stroke and thus linear modulation of the protected area