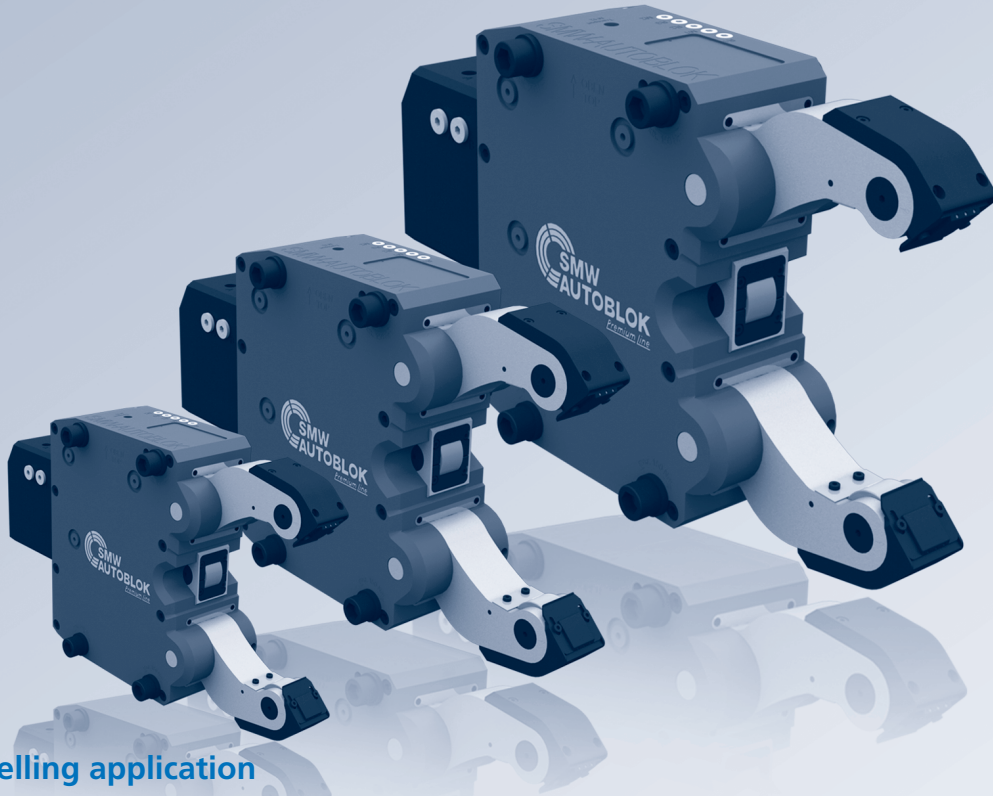


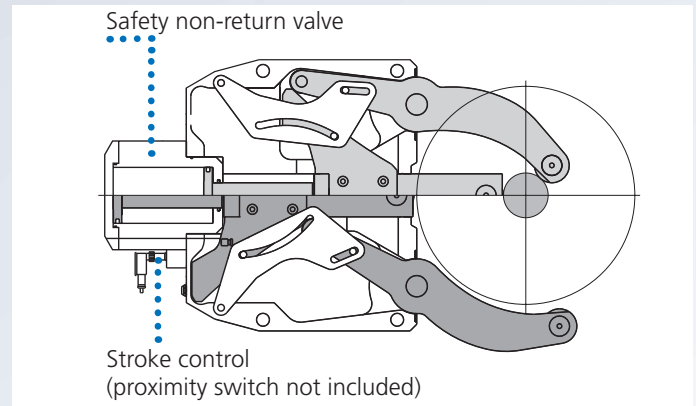
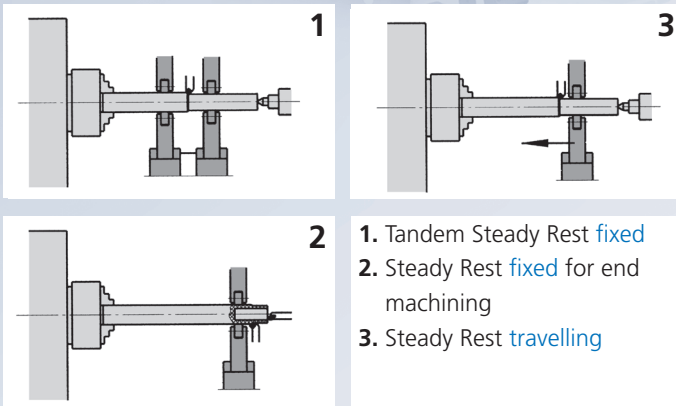
SMW-AUTOBLOK

worldwide leader

in Steady Rests



Fixed or travelling application

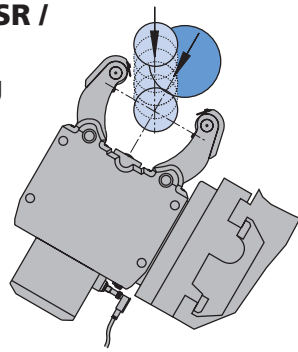


Features included in standard range

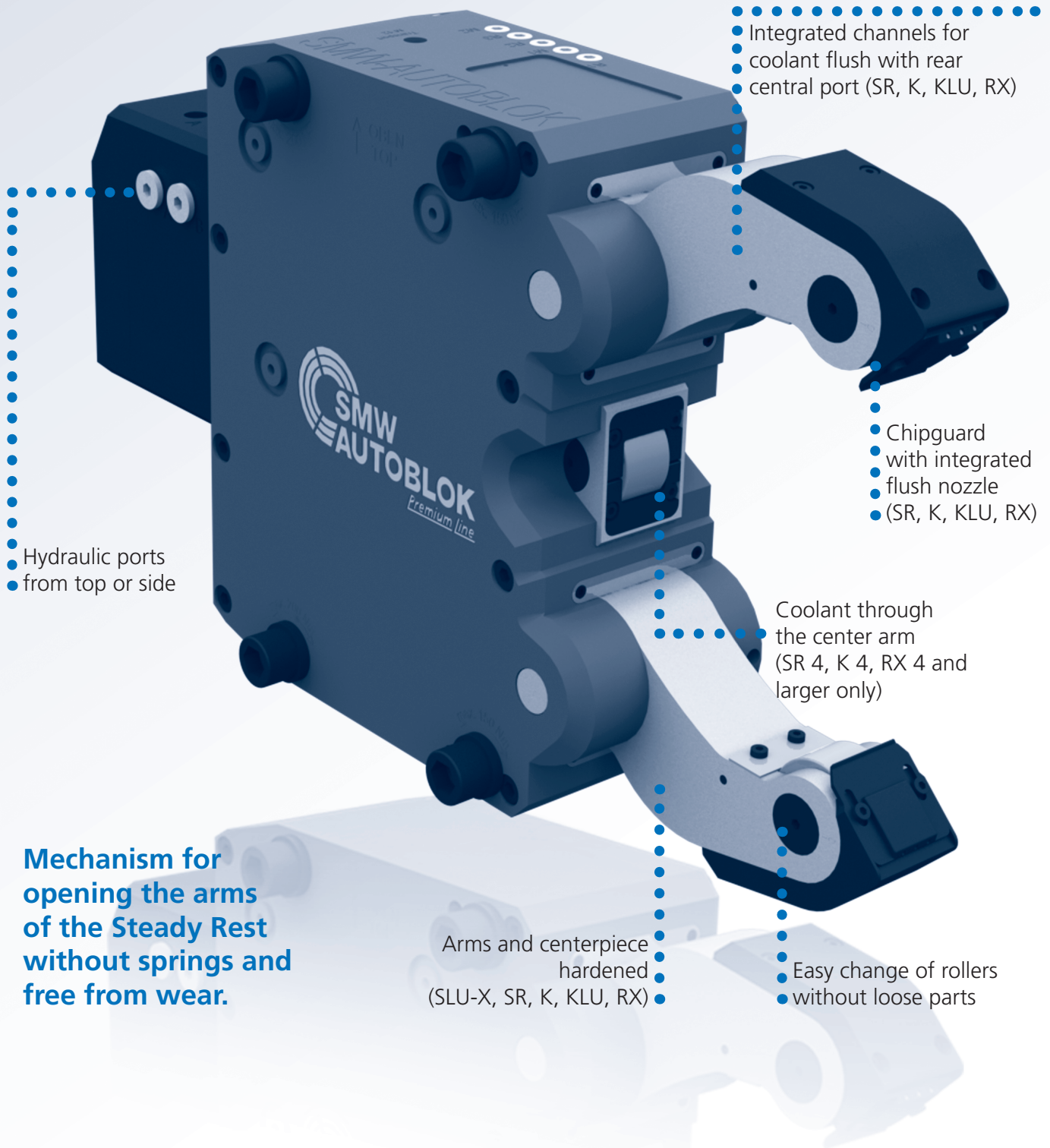
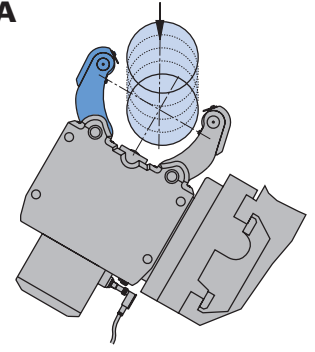
Steady Rest Type	Standard Line		Basic Line	Premium Line					
	SLU-X	SLUB, SLUB-A		SR	SRA	SR-CL	K, KA	KLU, KLU-A	RX
Steady Rest Size	1 - 5.1	3 - 6	1 - 6	2 - 6	2 - 6	4 - 6	3 - 7.1	215 - 540	2 - 6.1
Sealed body	■	■	■	■	■	■	■	■	■
Safety valve	■	■	■	■	■	■	■	■	■
Stroke control (proximity switch not included)	■	■	■	■	■	■	■	■	■
1 set swarf guard 3-piece	■	■	■						
1 set swarf guard with integrated coolant flush				■	■	■	■	■	■
1 set cylindrical rollers	■	■	■	■	■	■	■	■	■
Port for compressed air	■	■	■	■	■	■	■	■	■
Port for coolant through arms incl. chipguard				■	■	■	■	■	■
Toolbox	■	■		■	■	■	■	■	■

SLU-X® · SR® · K · KLU · RX

**SLU-X / SLU / SR /
K / KLU / RX**
large clamping
range



SLU-A / SRA / KLU-A / KA
additional pivoting
upper arm
for automatic vertical
loading



- Integrated channels for coolant flush with rear central port (SR, K, KLU, RX)

- Hydraulic ports from top or side

- Chipguard with integrated flush nozzle (SR, K, KLU, RX)

- Coolant through the center arm (SR 4, K 4, RX 4 and larger only)

Mechanism for opening the arms of the Steady Rest without springs and free from wear.

- Arms and centerpiece hardened (SLU-X, SR, K, KLU, RX)

- Easy change of rollers without loose parts

SLU-X[®]
SLUB / -A

SLU
SLU-A

SR[®] / -CL
SRA

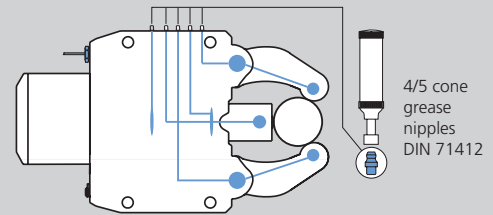
KLU / -A
K / KA

RX

Option of manual lubrication (M) (all types)

- Low cost solution for medium working conditions and low build up of swarf.
- The lubrication points and rollers are supplied with lubrication grease via the grease nipples and the grease gun.
- Lubrication intervals depending on the working conditions normally every 4 to 8 operating hours.
- Grease: KPE 2R-20 DIN 51502.

Manual lubrication (M)



Option of central oil lubrication (Z) (all types)

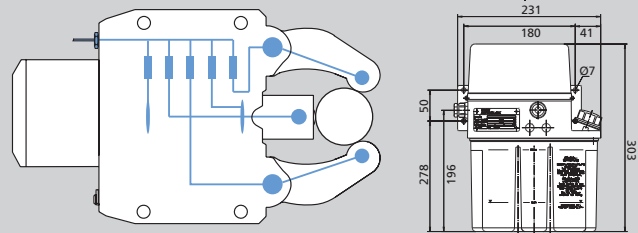
- For heavy working conditions and high build up of swarf.
- For travelling Steady Rest applications.
- The use of our separate complete lubrication unit with timer control is recommended.
- Lubricating intervals 5 - 20 min.
- Min. / max. operating pressure 10 / 45 bar.
- Oil: Viscosity of 46 mm² / s (viscosity class ISO).

Central lubrication oil (Z)

Centralized lubrication G 1/8"

Lubrication unit oil

Id. No. 088707



Option of central lubrication oil + air (OLD) (all types)

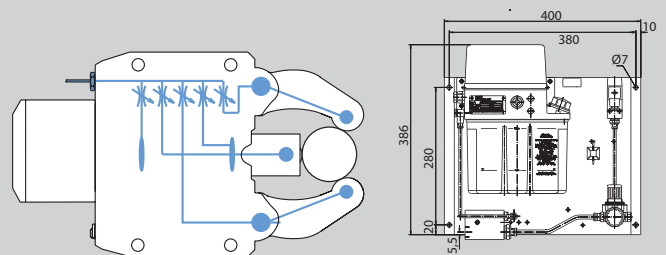
- For heaviest cutting conditions with high built up of swarf, dust or coolant.
- The SMW-AUTOBLOK oil + air unit for lubrication with built-in timer control is mandatory.
- This unit injects oil for lubrication into the air hose in adjustable intervals (1 - 4 min.).
- The permanent air flow (min. 3 bar) feeds the oil to the rollers and keeps them clean.
- Oil: Viscosity of 46 mm² / s (viscosity class ISO).

Oil + air lubrication (OLD)

Centralized lubrication G 1/8"

Lubrication unit oil + air

Id. No. 088708

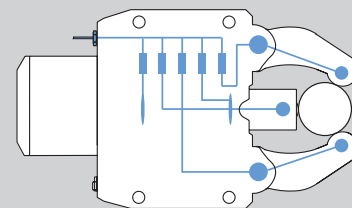


Option of central grease lubrication (F) (not SLU / SLU-A / SLUB / SLUB-A)

- For machines with central grease lubrication.
- For application and intervals please follow the instruction of the machine maker.
- Min. / max. operating pressure 30 / 45 bar.
- Grease: NLGI class 0 or 1.

Central grease lubrication (F)

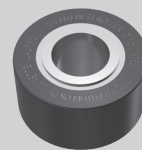
Centralized lubrication G 1/8"



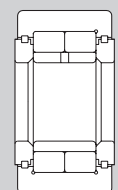
Option of rollers (all types)

- SMW-AUTOBLOK rollers (precision class P05) specially developed for our Steady Rests.
- Special sealing ensures highest precision and service life.
- Standard equipment: 1 set of cylindrical rollers.
- Option: Spherical rollers (for travelling Steady Rests), synthetic material rollers, carbide rollers.

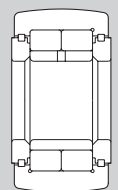
Original SMW-AUTOBLOK roller



cylindrical



spherical



narrow



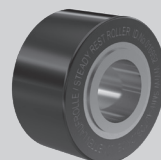
Rollers (all types)

- Rollers steel (standard): Surface of workpiece not hardened.

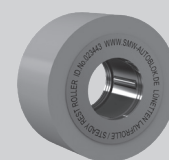
Available optional materials:

- Rollers synthetic material: Surface of workpiece polished or chrome plated.
- Rollers carbide: Surface of workpiece hardened.

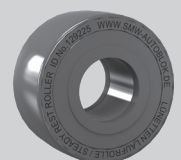
Rollers steel



Rollers synthetic material



Rollers carbide



SLU-X[®]
SLUB / -A

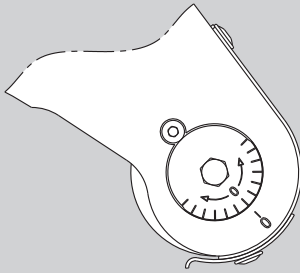
SLU
SLU-A

SR[®] / -CL
SRA

KLU / -A
K / KA

RX

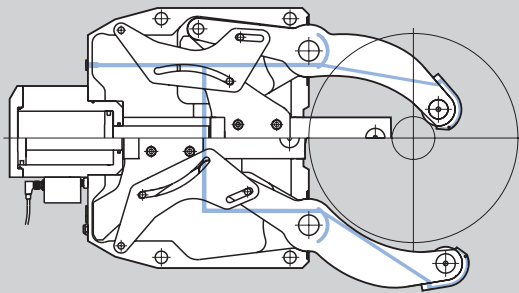
Eccentric fine adjustment



Option fine adjustment of center line (all types)

- Eccentric roller pins on the two Steady Rest arms allow a quick fine adjustment of the center line.
- Therefore no need to unlock and adjust the entire Steady Rest on the bracket for small adjusting movements.
- Adjustment of open Steady Rest only!

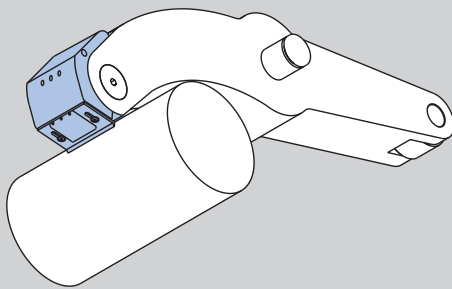
Coolant / air feed



Coolant / air feed (SR / K / KLU / RX only)

- Built-in channels to feed coolant or air from a central connecting port to the Steady Rest arms.
- Basic equipment for SR / K / KLU / RX Steady Rests.
- From size SR-4 / K4 and larger with coolant through the center arm.

Chipguard coolant / air



Patented coolant / air chipguard with integrated flush nozzles (SR / K / KLU / RX only)

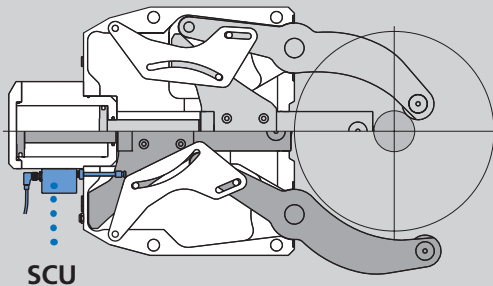
- Keeps roller clamping area free from chips.
- The patented double flush nozzles keep front and rear of the wiper area clean.

Only for Steady Rests with coolant / air feed

Benefit:

- Constant centering accuracy.
- No damage of workpiece and rollers caused by chips / swarf.
- Less roller consumption = less costs.

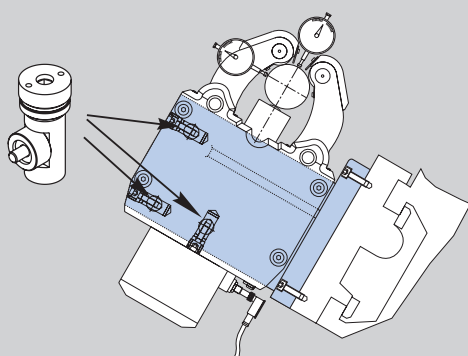
SCU diameter measuring system



Option linear diameter measuring system SCU (not SLU, SLUB, SLU-A, SLUB-A)

- The position of the clamping arms is monitored by the linear measuring system SCU.
- Avoids collision with workpieces, turret, loader etc.
- Reduced cycle time due to position controlled opening of the arms to the requested opening only.
- Power supply SCU: In: 24 V Out: 4 - 20 mA

Steady Rest bracket with adjustment device



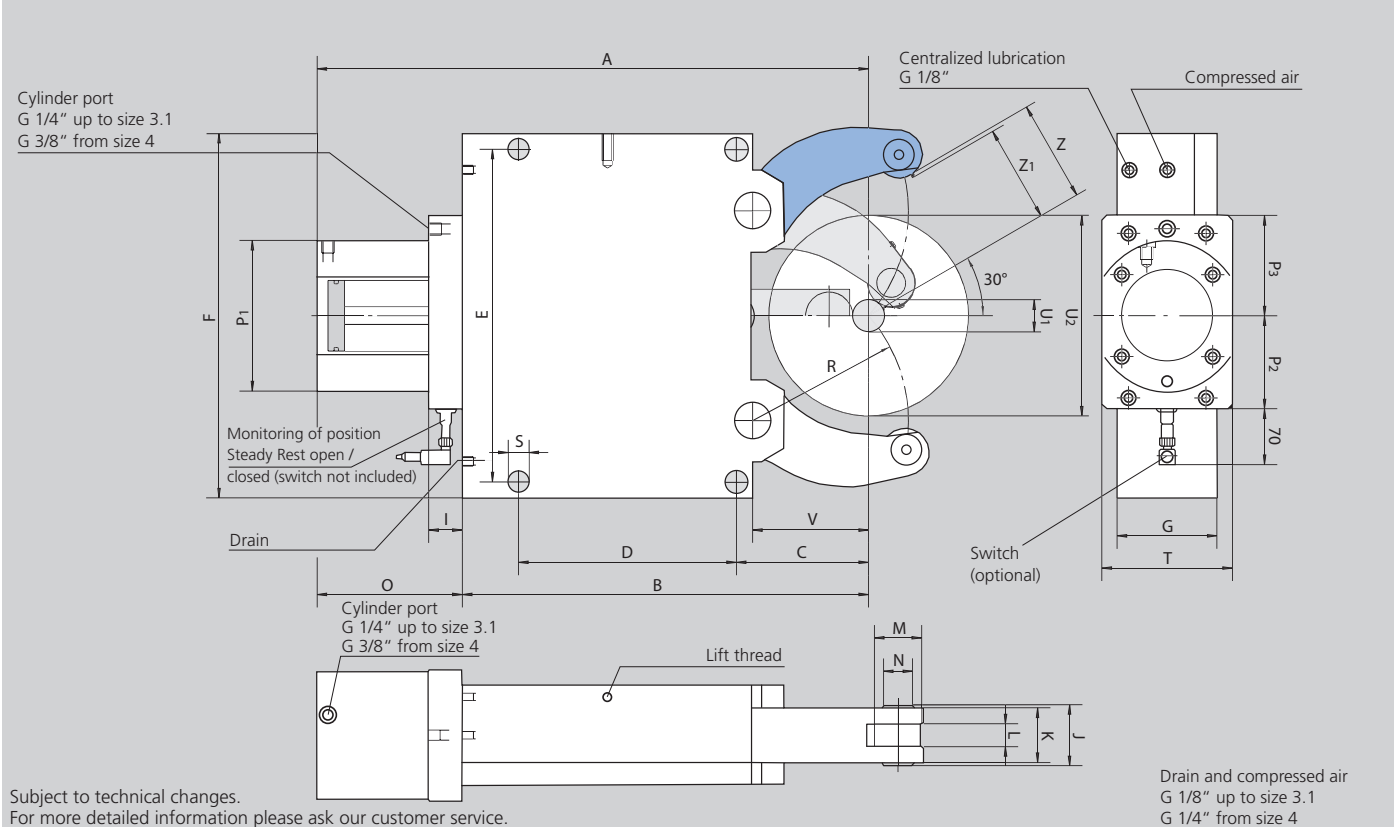
Steady Rest bracket

- A suitable bracket is very important for the function / precision of the Steady Rest.
- Fast and easy adjustment can be done with the SMW-AUTOBLOK **adjustment device** integrated into the bracket.
- SMW-AUTOBLOK supplies the correct bracket for all applications as a turnkey solution.

SLU-A

Self-centering Steady Rests
Basic line

- Additional pivoting upper arm
- Monitoring of position Steady Rest open and closed
- Hardened arms



SMW-AUTOBLOK Type Size		SLU-A 1	SLU-A 2	SLU-A 3	SLU-A 3.1	SLU-A 4	SLU-A 5	SLU-A 6
Centering range without chip guard	U1	4	8	12	22	30	45	160
	U2	52	80	130	150	220	268	460 *
Centering range with chip guard 3-piece	U1	8	12	14	22	30	50	160
	U2	52	80	130	150	220	268	460
	Z	26.5	41	66	76	111	135	230 *
	Z1	24	34	62	72	106.5	130	225 *
	A	207	279.5	429	437	608	697.5	944.5
	B	137	195	312	320	448	510	709
	C	51	70	115	123	146	178	215
	D	64	85	135	135	240	270	330
	E	118	170	262	262	365	400	610 / 640
	F	132	190	290	290	400	440	680
	G	55	70	85	85	110	145	145
	I	33	33	37	37	37	37	37
	J	26	42	52	52	67	83	83
	K	20	35	45	45	60	75	75
Width of rollers	L	12	19	25	25	25	29	29
Diameter of rollers	M	19	35	47	47	52	62	80
Diameter of collars	N	6	21	25	25	32	36	42
	O	70	84.5	117	117	160	187.5	235.5
	P1	84	102	137	137	165	165	190
	P2	66	72	90	90	102	102	115
	P3	66	75	100	100	110	110	130
	R	50.5	74	119	124	172	209	290
	S	11	14	18	18	23	23	27
	T	70	70	100	100	144	144	158
	V	37	52	85	93	128	160	175
Piston area	cm ²	7	19.6	50	50	78	78	132
Operation pressure min. / max.	bar	6 / 50	8 / 70	8 / 60	8 / 60	8 / 60	8 / 80	8 / 70
Max. clamping force / roller	daN	100	450	1000	1000	1500	2000	3000
Centering accuracy within the whole range	mm	0.02	0.02	0.04	0.04	0.05	0.06	0.06
Repeatability accuracy	mm	0.005	0.005	0.007	0.007	0.007	0.01	0.01
Max. roller surface speed	m/min	800	800	725	725	715	600	560
Weight approx.	kg	6	14	39	40	92	152	420

* SLU-A 6: loading diameter U2 = 460 only under 19° installation.











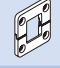


- Ordering review
- Accessories
- Wearing parts

SLU-A Steady Rest (including 1 set of SMW-AUTOBLOK cylindrical rollers)

Steady Rest size		1	2	3	3.1	4	5	6
SLU-A-M Manual lubrication	Id. No.	024458	024459	024460	024461	122546	024463	026591
SLU-A-Z Central lubrication oil	Id. No.	024482	024483	024673	024674	122545	024485	026593
SLU-A-OLD Central lubrication oil + air	Id. No.	027656	027657	027658	027659	122547	027661	027662

Type SLU-A

◆ means wearing parts, recommended stock items

Steady Rest size		1	2	3	3.1	4	5	6
Compact lubrication system for oil pressure lubrication Container 2.7 l, 220 V *,**		088707	088707	088707	088707	088707	088707	088707
Compact lubrication system for oil + air lubrication Container 2.7 l, 220 V *,**		088708	088708	088708	088708	088708	088708	088708
Eccenter fine adjustment compl. at lever arm (2 pcs. per Steady Rest)		-	026120	018437	018437	018444	018450	026595
Inductive limit switch		087926	087926	087926	087926	087926	087926	087926
Swarf guard (3-pieces)	 ◆	026115	026116	026117	026117	026118	026119	026597
Spring loaded chip guard	 ◆	025781	025760	025759	025759	025758	025757	026596
Roller stripper (2-pieces) for middle piece	 ◆	029795	029796	029797	029797	029798	029799	029800
Rollers cylindrical design	 ◆	017869	016952	016951	016951	016953	018345	026594
Rollers spherical design	 ◆	016900	017658	018433	018433	018443	019545	121302
Rollers synthetic material***	 ◆	024409	029451	023443	023443	023672	023650	227357
Roller stripper (2-pieces) for middle piece with roller synthetic material	 ◆	029795	197520	029797	029797	205400	029799	-
Rollers carbide	 ◆	128794	129223	129225	129225	220918	222038	on request
Adjustment device 1 set = 3 pieces		-	-	200178	200178	200179	200179	200179

* When placing an order please advise voltage.

** On request 110 V available.

*** Attention: Reduced clamping force! Please refer to the clamping force value marked on the roller.