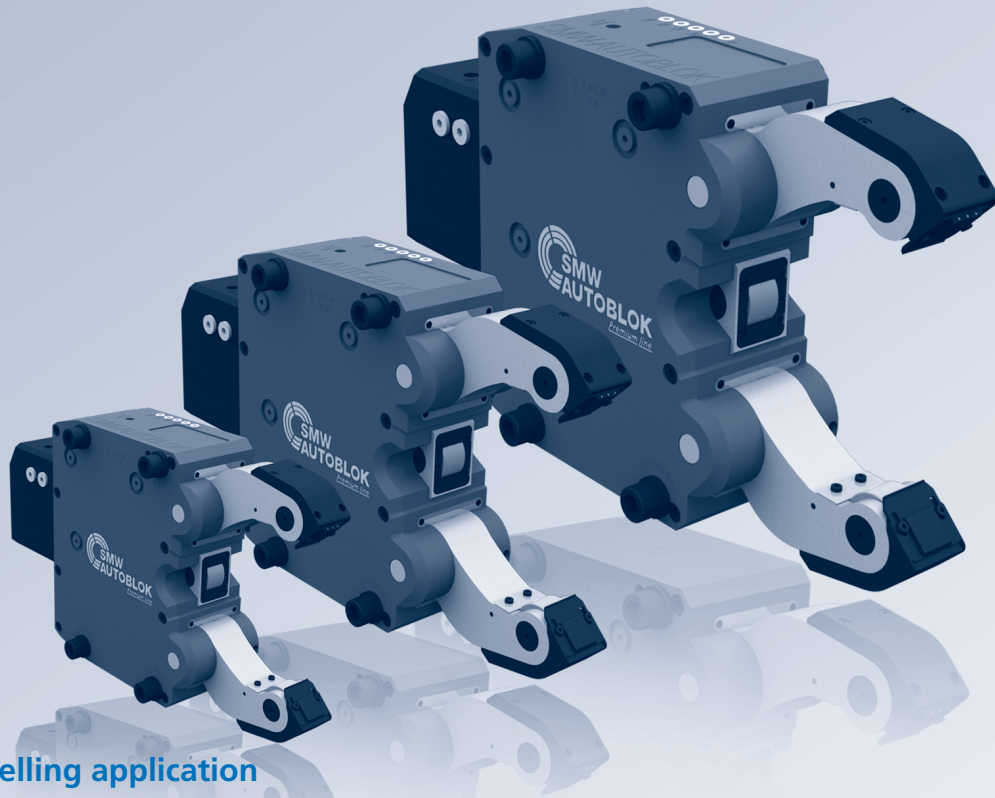


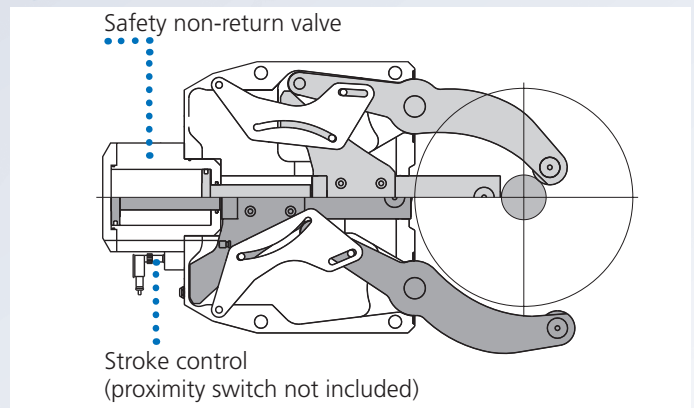
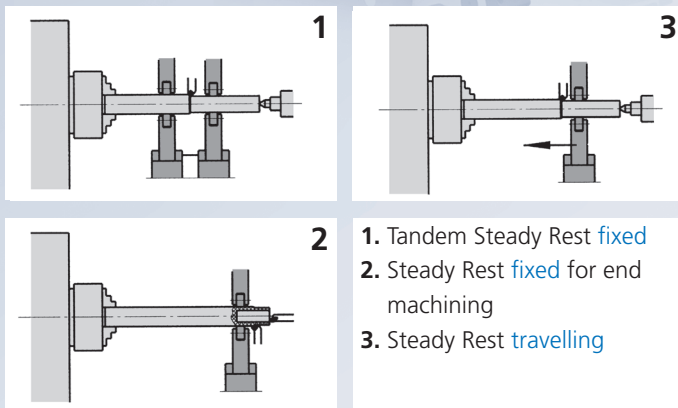
# SMW-AUTOBLOK

## worldwide leader

## in Steady Rests



### Fixed or travelling application

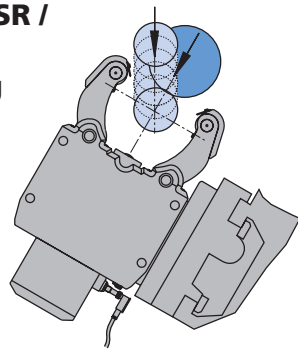


## Features included in standard range

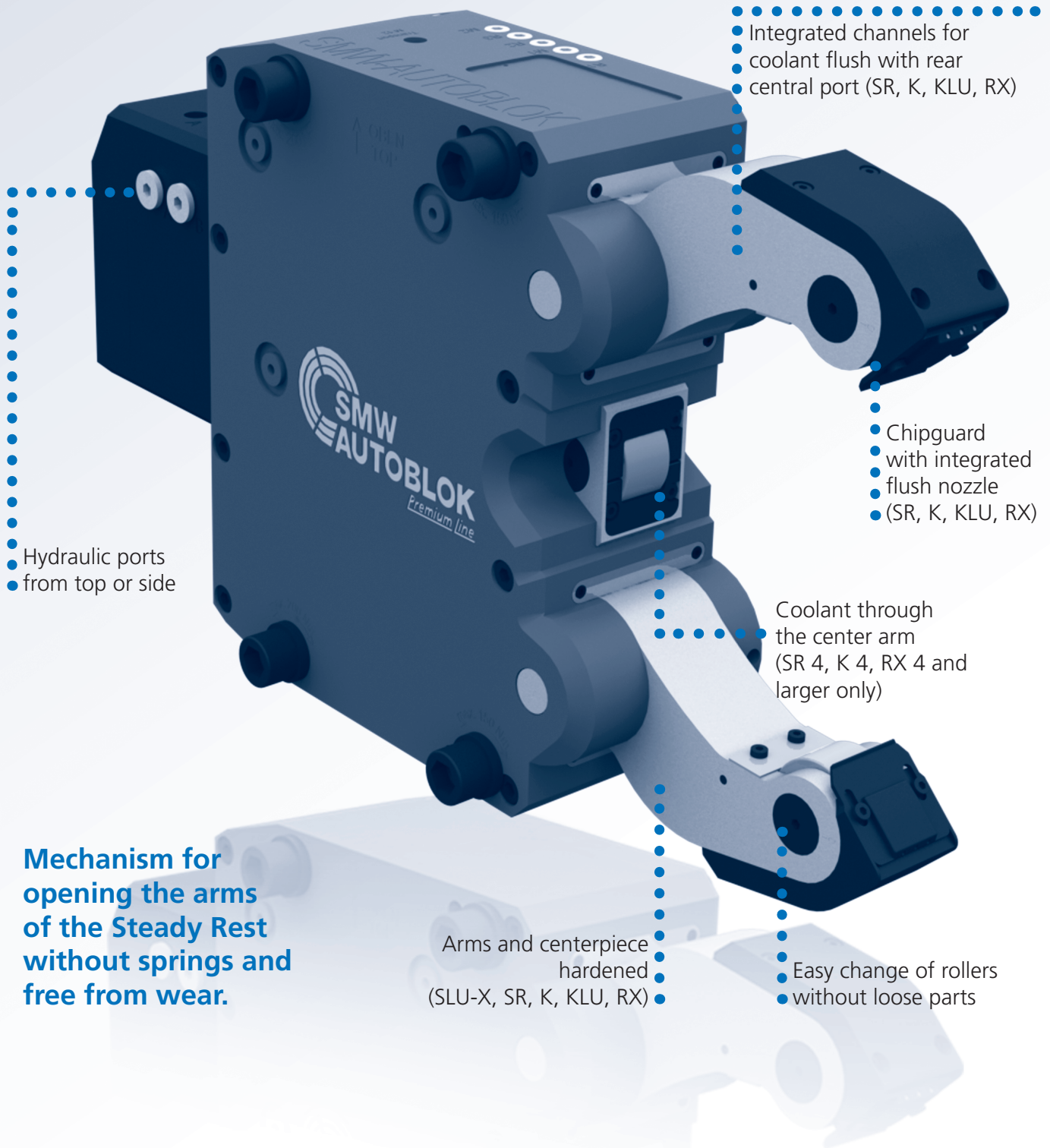
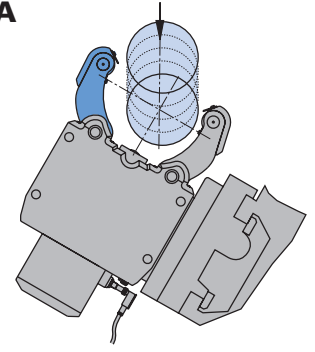
| Steady Rest Type                                | Standard Line |                 | Basic Line | Premium Line |       |       |          |               |         |
|---|---------------|-----------------|------------|--------------|-------|-------|----------|---------------|---------|
|   | SLU-X         | SLUB,<br>SLUB-A |            | SR           | SRA   | SR-CL | K,<br>KA | KLU,<br>KLU-A | RX      |
| <b>Steady Rest Size</b>                         | 1 - 5.1       | 3 - 6           | 1 - 6      | 2 - 6        | 2 - 6 | 4 - 6 | 3 - 7.1  | 215 - 540     | 2 - 6.1 |
| Sealed body                                     | ■             | ■               | ■          | ■            | ■     | ■     | ■        | ■             | ■       |
| Safety valve                                    | ■             | ■               | ■          | ■            | ■     | ■     | ■        | ■             | ■       |
| Stroke control (proximity switch not included)  | ■             | ■               | ■          | ■            | ■     | ■     | ■        | ■             | ■       |
| 1 set swarf guard 3-piece                       | ■             | ■               | ■          |              |       |       |          |               |         |
| 1 set swarf guard with integrated coolant flush |               |                 |            | ■            | ■     | ■     | ■        | ■             | ■       |
| 1 set cylindrical rollers                       | ■             | ■               | ■          | ■            | ■     | ■     | ■        | ■             | ■       |
| Port for compressed air                         | ■             | ■               | ■          | ■            | ■     | ■     | ■        | ■             | ■       |
| Port for coolant through arms incl. chipguard   |               |                 |            | ■            | ■     | ■     | ■        | ■             | ■       |
| Toolbox   | ■             | ■               |            | ■            | ■     | ■     | ■        | ■             | ■       |

# SLU-X® · SR® · K · KLU · RX

**SLU-X / SLU / SR /  
K / KLU / RX**  
large clamping  
range



**SLU-A / SRA / KLU-A / KA**  
additional pivoting  
upper arm  
for automatic vertical  
loading



- Integrated channels for coolant flush with rear central port (SR, K, KLU, RX)

- Hydraulic ports from top or side

- Chipguard with integrated flush nozzle (SR, K, KLU, RX)

- Coolant through the center arm (SR 4, K 4, RX 4 and larger only)

**Mechanism for opening the arms of the Steady Rest without springs and free from wear.**

- Arms and centerpiece hardened (SLU-X, SR, K, KLU, RX)

- Easy change of rollers without loose parts

**SLU-X<sup>®</sup>**  
**SLUB / -A**

**SLU**  
**SLU-A**

**SR<sup>®</sup> / -CL**  
**SRA**

**KLU / -A**  
**K / KA**

**RX**

### Option of manual lubrication (M) (all types)

- Low cost solution for medium working conditions and low build up of swarf.
- The lubrication points and rollers are supplied with lubrication grease via the grease nipples and the grease gun.
- Lubrication intervals depending on the working conditions normally every 4 to 8 operating hours.
- Grease: KPE 2R-20 DIN 51502.

### Option of central oil lubrication (Z) (all types)

- For heavy working conditions and high build up of swarf.
- For travelling Steady Rest applications.
- The use of our separate complete lubrication unit with timer control is recommended.
- Lubricating intervals 5 - 20 min.
- Min. / max. operating pressure 10 / 45 bar.
- Oil: Viscosity of 46 mm<sup>2</sup> / s (viscosity class ISO).

### Option of central lubrication oil + air (OLD) (all types)

- For heaviest cutting conditions with high built up of swarf, dust or coolant.
- The SMW-AUTOBLOK oil + air unit for lubrication with built-in timer control is mandatory.
- This unit injects oil for lubrication into the air hose in adjustable intervals ( 1 - 4 min.).
- The permanent air flow (min. 3 bar) feeds the oil to the rollers and keeps them clean.
- Oil: Viscosity of 46 mm<sup>2</sup> / s (viscosity class ISO).

### Option of central grease lubrication (F) (not SLU / SLU-A / SLUB / SLUB-A)

- For machines with central grease lubrication.
- For application and intervals please follow the instruction of the machine maker.
- Min. / max. operating pressure 30 / 45 bar.
- Grease: NLGI class 0 or 1.

### Option of rollers (all types)

- SMW-AUTOBLOK rollers (precision class P05) specially developed for our Steady Rests.
- Special sealing ensures highest precision and service life.
- Standard equipment: 1 set of cylindrical rollers.
- Option: Spherical rollers (for travelling Steady Rests), synthetic material rollers, carbide rollers.

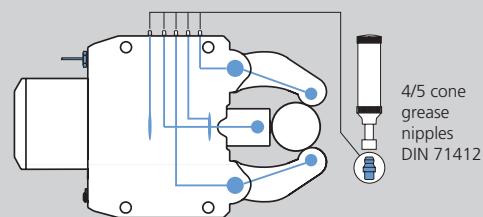
### Rollers (all types)

- Rollers steel (standard): Surface of workpiece not hardened.

#### Available optional materials:

- Rollers synthetic material: Surface of workpiece polished or chrome plated.
- Rollers carbide: Surface of workpiece hardened.

### Manual lubrication (M)

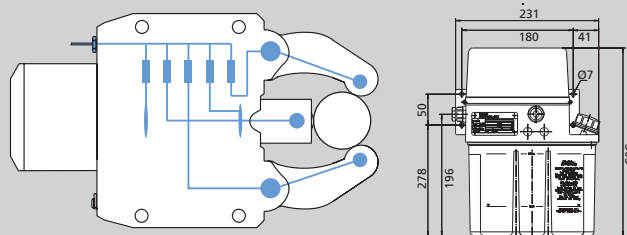


### Central lubrication oil (Z)

Centralized lubrication G 1/8"

### Lubrication unit oil

Id. No. 088707

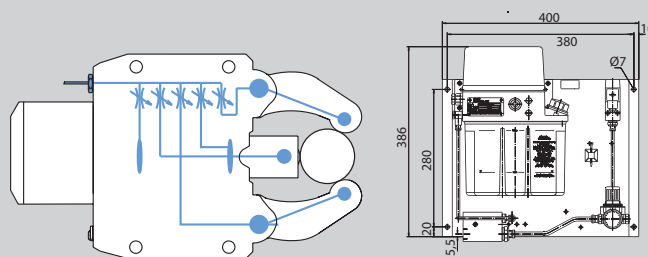


### Oil + air lubrication (OLD)

Centralized lubrication G 1/8"

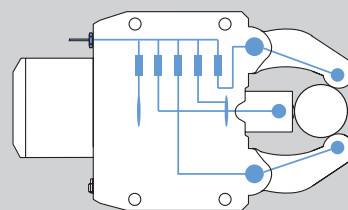
### Lubrication unit oil + air

Id. No. 088708

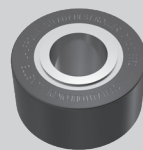


### Central grease lubrication (F)

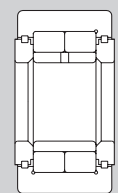
Centralized lubrication G 1/8"



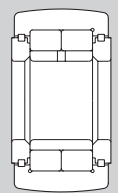
### Original SMW-AUTOBLOK roller



### cylindrical



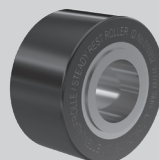
### spherical



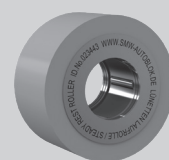
### narrow



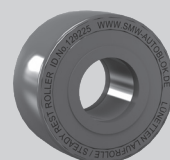
### Rollers steel



### Rollers synthetic material



### Rollers carbide



**SLU-X®**  
**SLUB / -A**

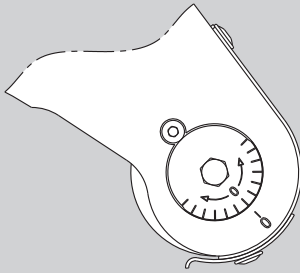
**SLU**  
**SLU-A**

**SR® / -CL**  
**SRA**

**KLU / -A**  
**K / KA**

**RX**

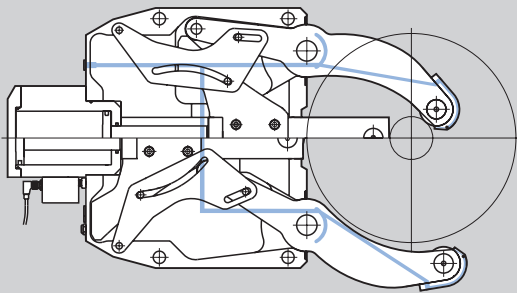
### Eccentric fine adjustment



### Option fine adjustment of center line (all types)

- Eccentric roller pins on the two Steady Rest arms allow a quick fine adjustment of the center line.
- Therefore no need to unlock and adjust the entire Steady Rest on the bracket for small adjusting movements.
- Adjustment of open Steady Rest only!

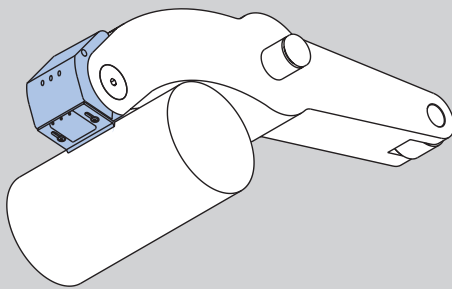
### Coolant / air feed



### Coolant / air feed (SR / K / KLU / RX only)

- Built-in channels to feed coolant or air from a central connecting port to the Steady Rest arms.
- Basic equipment for SR / K / KLU / RX Steady Rests.
- From size SR-4 / K4 and larger with coolant through the center arm.

### Chipguard coolant / air



### Patented coolant / air chipguard with integrated flush nozzles (SR / K / KLU / RX only)

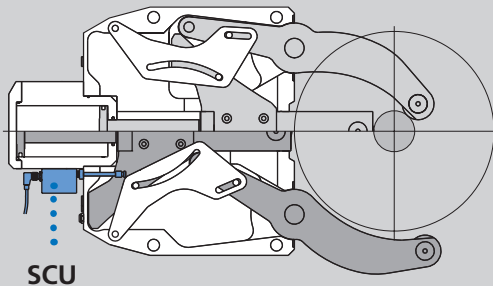
- Keeps roller clamping area free from chips.
- The patented double flush nozzles keep front and rear of the wiper area clean.

### Only for Steady Rests with coolant / air feed

#### Benefit:

- Constant centering accuracy.
- No damage of workpiece and rollers caused by chips / swarf.
- Less roller consumption = less costs.

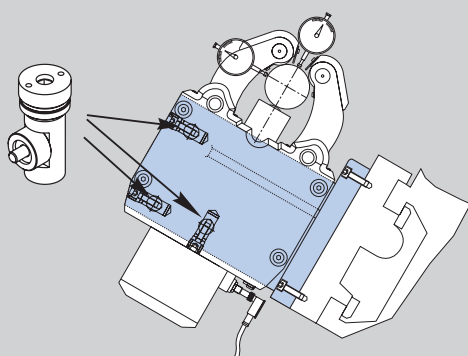
### SCU diameter measuring system



### Option linear diameter measuring system SCU (not SLU, SLUB, SLU-A, SLUB-A)

- The position of the clamping arms is monitored by the linear measuring system SCU.
- Avoids collision with workpieces, turret, loader etc.
- Reduced cycle time due to position controlled opening of the arms to the requested opening only.
- Power supply SCU: In: 24 V Out: 4 - 20 mA

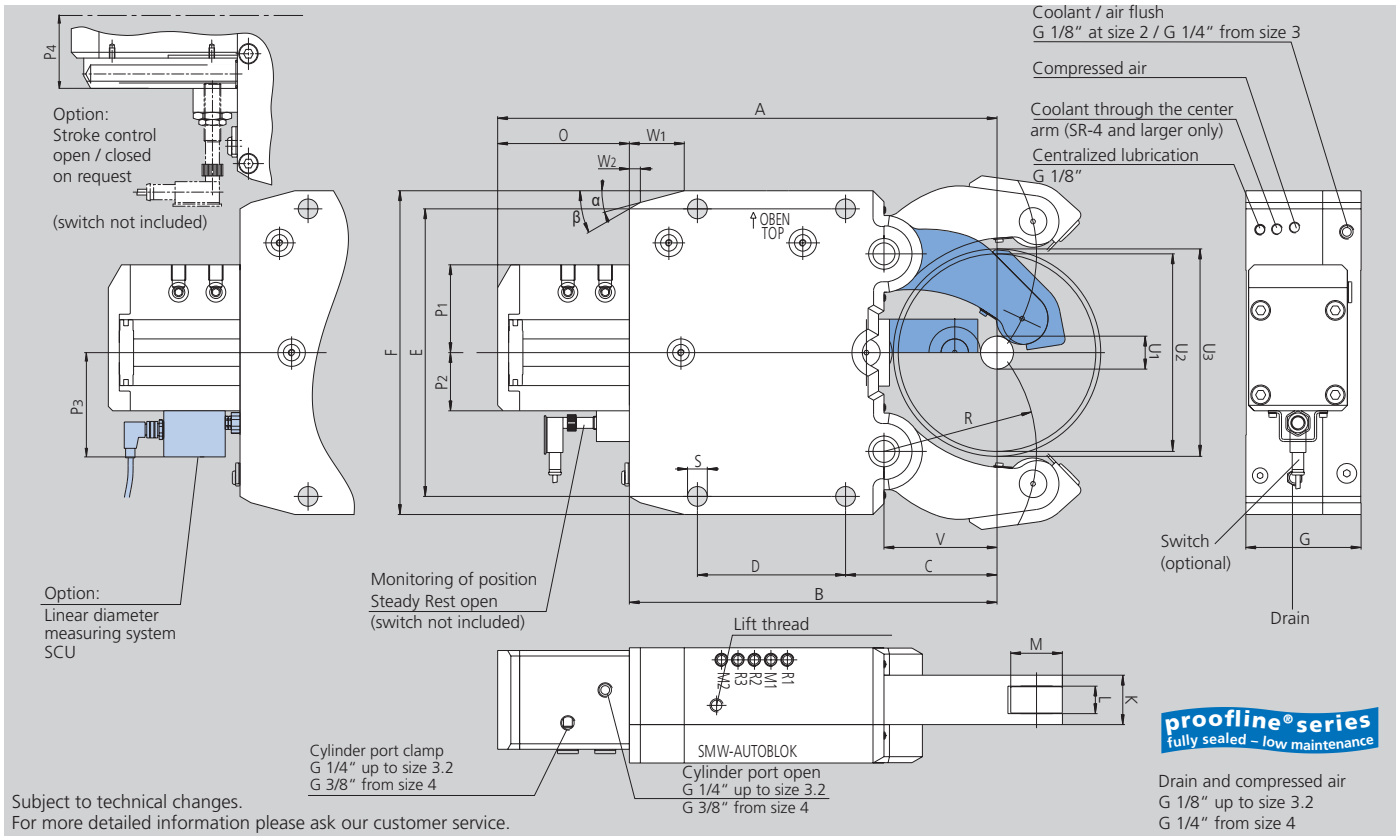
### Steady Rest bracket with adjustment device



### Steady Rest bracket

- A suitable bracket is very important for the function / precision of the Steady Rest.
- Fast and easy adjustment can be done with the SMW-AUTOBLOK **adjustment device** integrated into the bracket.
- SMW-AUTOBLOK supplies the correct bracket for all applications as a turnkey solution.

- Integrated coolant flush
- Chip guard with coolant nozzles
- Stroke control unit or proximity switch for end position open
- proofline<sup>®</sup> = fully sealed - low maintenance



Subject to technical changes.  
For more detailed information please ask our customer service.

Drain and compressed air  
G 1/8" up to size 3.2  
G 1/4" from size 4

| SMW-AUTOBLOK Type Size                    |                 | SR 2       | SR 3     | SR 3.1   | SR 3.2 | SR 4   | SR 5   | SR 5.1 | SR 6      |
|---|-----------------|------------|----------|----------|--------|--------|--------|--------|-----------|
| Centering range with coolant chip guard   | U1              | 20 (8*)    | 28 (12*) | 25 (20*) | 50     | 30     | 45     | 85     | 125       |
|   | U2              | 101 (92**) | 152      | 165      | 200    | 245    | 310    | 350    | 460       |
| Max. axial clearing diameter              | U3              | 106        | 162      | 172      | 202    | 253    | 320    | 352    | 466       |
|   | A               | 277        | 428      | 436      | 455    | 603    | 697    | 717    | 953.5     |
|   | B               | 195        | 312      | 320      | 335    | 448    | 510    | 530    | 715       |
|   | C               | 70         | 115      | 123      | 138    | 146    | 178    | 198    | 215       |
|   | D               | 85         | 135      | 135      | 135    | 240    | 270    | 270    | 330       |
|   | E               | 170        | 262      | 262      | 262    | 365    | 400    | 400    | 610 / 640 |
|   | F               | 195        | 295      | 295      | 295    | 405    | 440    | 440    | 680       |
|   | G               | 75         | 105      | 105      | 105    | 125    | 150    | 150    | 175       |
|   | K               | 35         | 45       | 45       | 45     | 60     | 75     | 75     | 85        |
| Width of rollers                          | L               | 19         | 25       | 25       | 25     | 25     | 29     | 29     | 32        |
| Diameter of rollers                       | M               | 35         | 47       | 47       | 47     | 52     | 62     | 62     | 90        |
|   | O               | 82         | 116      | 116      | 120    | 155    | 187    | 187    | 238.5     |
|   | P1              | 63         | 85       | 85       | 85     | 91     | 97     | 97     | 122       |
|   | P2              | 40         | 53       | 53       | 53     | 61     | 63     | 63     | 88        |
|   | P3              | 82         | 95       | 95       | 95     | 103    | 105    | 105    | 130       |
|   | P4              | 61         | 74       | 74       | 74     | 82     | 84     | 84     | 109       |
|   | R               | 74         | 119      | 124      | 139    | 172    | 209    | 229    | 290       |
|   | S               | 14         | 18       | 18       | 18     | 23     | 23     | 23     | 27        |
|   | V               | 51         | 85       | 93       | 103    | 128    | 160    | 180    | 190       |
|   | W1              | 30         | 50       | 50       | 50     | 58     | 62     | 62     | 100       |
|   | W2              | 11.2       | 10       | 10       | 10     | 18.3   | 19.1   | 19.1   | 22        |
|   | α               | 15°        | 15°      | 15°      | 15°    | 15°    | 18°    | 18°    | 10°       |
|   | β               | 30°        | 30°      | 30°      | 30°    | 40°    | 40°    | 40°    | 50°       |
| Piston area***                            | cm <sup>2</sup> | 19.6       | 38.5     | 38.5     | 38.5   | 63.6   | 78.5   | 78.5   | 176.7     |
| Operating pressure min. / max.            | bar             | 8 / 70     | 8 / 80   | 8 / 80   | 8 / 80 | 8 / 70 | 8 / 80 | 8 / 80 | 8 / 75    |
| Max. clamping force / roller              | daN             | 450        | 1000     | 1000     | 1000   | 1500   | 2000   | 2000   | 4500      |
| Centering accuracy within the whole range | mm              | 0.02       | 0.04     | 0.04     | 0.04   | 0.05   | 0.06   | 0.06   | 0.06      |
| Repeatability accuracy                    | mm              | 0.005      | 0.007    | 0.007    | 0.007  | 0.007  | 0.01   | 0.01   | 0.01      |
| Max. roller surface speed                 | m/min           | 800        | 725      | 725      | 725    | 715    | 600    | 600    | 560       |
| Weight approx.                            | kg              | 14         | 56       | 57       | 59     | 117    | 174    | 178    | 436       |

\* The Steady Rest can be modified to this clamping range (see instruction manual page 24) if the coolant chip guard is not used.

\*\* Can be loaded axially. Radial loading with chip guard Ø 92, without chip guard Ø 101.

\*\*\* Cylinder sizes different from standard available on request.

- Ordering review
- Accessories
- Wearing parts

**SR Steady Rest with stroke control Steady Rest open via proximity switch (without proximity switch)\*\*\***

| Steady Rest size                     |         | 2      | 3          | 3.1    | 3.2    | 4          | 5      | 5.1        | 6          |
|--------------------------------------|---------|--------|------------|--------|--------|------------|--------|------------|------------|
| SR-M Manual lubrication              | Id. No. | 128161 | 128167     | 128184 | 127511 | 127001     | 128001 | 128039     | 128426     |
| SR-Z Central lubrication oil         | Id. No. | 128160 | 128166     | 128185 | 127510 | 127000     | 128000 | 128038     | 128425     |
| SR-OLD Central lubrication oil + air | Id. No. | 128162 | 128168     | 128186 | 127512 | 127002     | 128002 | 128040     | 128427     |
| SR-F Central grease lubrication      | Id. No. | 225568 | on request | 222282 | 227176 | on request | 227600 | on request | on request |

**SR Steady Rest with stroke control via linear stroke control SCU, output 4 - 20 mA**

| Steady Rest size                     |         | 2          | 3          | 3.1        | 3.2        | 4          | 5          | 5.1        | 6          |
|--------------------------------------|---------|------------|------------|------------|------------|------------|------------|------------|------------|
| SR-M Manual lubrication              | Id. No. | on request | 128169     | 128187     | 126559     | 127017     | 128017     | 128046     | 128451     |
| SR-Z Central lubrication oil         | Id. No. | 220432     | 128170     | 128188     | 126560     | 127016     | 128016     | 128045     | 128450     |
| SR-OLD Central lubrication oil + air | Id. No. | on request | 128171     | 128189     | 126561     | 127018     | 128018     | 128047     | 128452     |
| SR-F Central grease lubrication      | Id. No. | on request | on request | on request | on request | on request | on request | on request | on request |

**SR Steady Rest with stroke control via linear stroke control SCU, output 0 - 10 V**

| Steady Rest size                     |         | 2          | 3          | 3.1        | 3.2        | 4          | 5          | 5.1        | 6          |
|--------------------------------------|---------|------------|------------|------------|------------|------------|------------|------------|------------|
| SR-M Manual lubrication              | Id. No. | on request | 128172     | 128190     | 126563     | 127022     | 128021     | 128049     | 128453     |
| SR-Z Central lubrication oil         | Id. No. | 220434     | 128173     | 128191     | 126564     | 127021     | 128020     | 128048     | 128454     |
| SR-OLD Central lubrication oil + air | Id. No. | on request | 128174     | 128192     | 126565     | 127023     | 128022     | 128050     | 128455     |
| SR-F Central grease lubrication      | Id. No. | on request | on request | on request | on request | on request | on request | on request | on request |

**Type SR**

◆ means wearing parts, recommended stock items

| Steady Rest size  |   | 2      | 3      | 3.1    | 3.2    | 4      | 5      | 5.1    | 6          |
|---|---|--------|--------|--------|--------|--------|--------|--------|------------|
| Compact lubrication system for oil pressure lubrication Container 2.7 l, 220 V *,** |   | 088707 | 088707 | 088707 | 088707 | 088707 | 088707 | 088707 | 088707     |
| Compact lubrication system for oil + air lubrication Container 2.7 l, 220 V *,**    |   | 088708 | 088708 | 088708 | 088708 | 088708 | 088708 | 088708 | 088708     |
| Eccenter fine adjustment compl. at lever arm (2 pieces per Steady Rest)             |   | 127237 | 127240 | 127240 | 127240 | 128474 | 128584 | 128584 | 128585     |
| Inductive limit switch  |   | 087926 | 087926 | 087926 | 087926 | 087926 | 087926 | 087926 | 087926     |
| Swarf guard coolant / air with wiper  |   | 128106 | 124024 | 124024 | 124024 | 125797 | 125816 | 125816 | 128442     |
| Wiper for swarf guard coolant / air   | ◆ | 128108 | 124026 | 124026 | 124026 | 126904 | 126888 | 126888 | 128444     |
| Swarf guard (3-pieces)  | ◆ | 026116 | 026117 | 026117 | -      | -      | -      | -      | -          |
| Roller stripper (2-pieces) for middle piece   | ◆ | 200154 | 198950 | 198950 | 198950 | 200151 | 200152 | 200152 | 200153     |
| Roller cylindrical design   | ◆ | 016952 | 016951 | 016951 | 016951 | 016953 | 018345 | 018345 | 028971     |
| Roller spherical design   | ◆ | 017658 | 018433 | 018433 | 018433 | 018443 | 019545 | 019545 | 129825     |
| Roller synthetic material****   | ◆ | 029451 | 023443 | 023443 | 023443 | 023672 | 023650 | 023650 | 227357     |
| Roller stripper (2-pieces) for middle piece with roller synthetic material          | ◆ | 204211 | 204212 | 204212 | 204212 | 204214 | 204216 | 204216 | -          |
| Roller carbide  | ◆ | 129223 | 129225 | 129225 | 129225 | 220918 | 222038 | 222038 | on request |
| Adjustment device 1 set = 3 pieces  |   | -      | 200178 | 200178 | 200178 | 200179 | 200179 | 200179 | 200179     |

\* When placing an order, please advise voltage.  
\*\* On request 110 V available.

\*\*\* Stroke control open / closed on request.  
\*\*\*\* Attention: Reduced clamping force! Please refer to the clamping force value marked on the roller.